

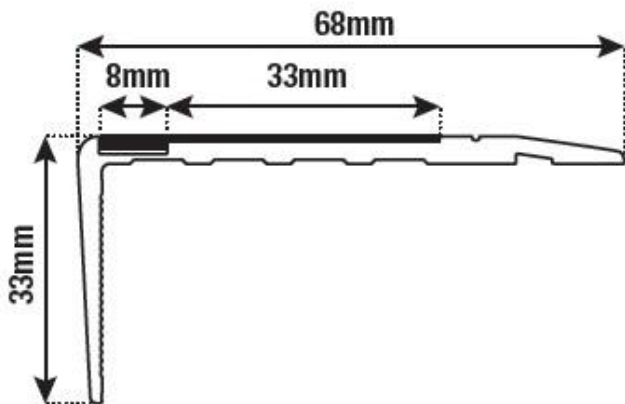
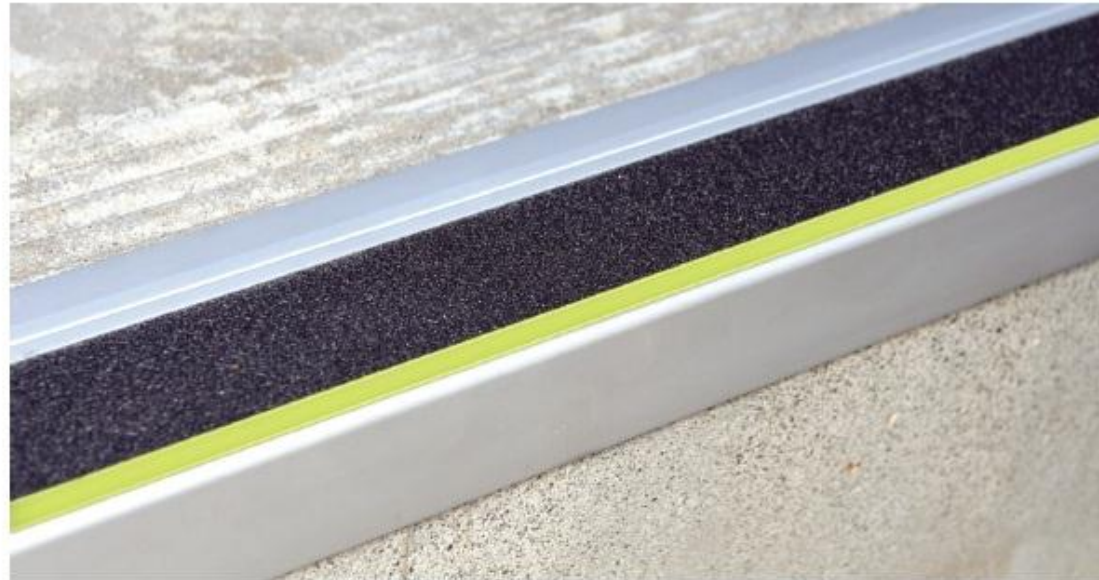




# Commercial Aluminium Stair Tread



- Utilises high strength, heat treated aluminium alloy for extra durability
- Heavy duty design with anti slip tread for commercial stairways
- The illuminated strip allows for illumination of the trim when lights have been turned off
- Self adhesive for easy installation
- 30 minutes in the light allows for 7 hours of illumination
- Suitable for both indoor and outdoor applications
- UV and water resistant
- Complies with Safety Standard AS/NZ 4586
- Available in 1metre and 3metre lengths



ALLOY: 6063 TEMPER: T5

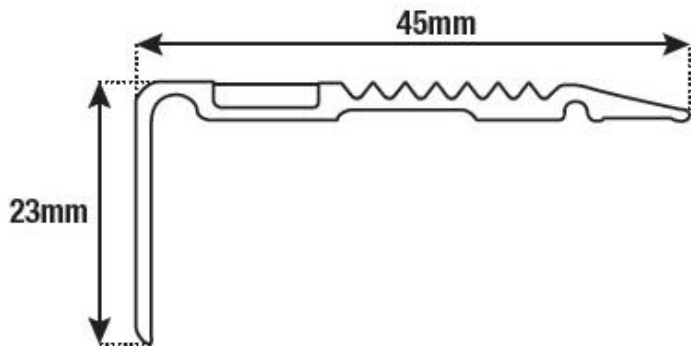
CHEMICAL CONTENT										
STANDARD	SILICONE (%)	IRON (%)	COPPER (%)	MANGANESE (%)	MAGNESIUM (%)	CHROMIUM (%)	ZINC (%)	TITANIUM (%)	OTHER (each 0.05%) (%)	ALUMINIUM (%)
(DIN/BS) EN 573-3;1994 (DIN/BS) EN 755-2;1997	0.20-0.60	0.35	0.1	0.1	0.45-0.90	0.1	0.1	0.1	0.15	Rem
MECHANICAL PROPERTY										
STANDARD	DIMENSION (mm)	0.2% Proof Stress minimum (N/mm <sup>2</sup> )	Tensile Strength minimum (N/mm <sup>2</sup> )	Elongation (%)	Elongation on 50mm (%)					
(DIN/BS) EN 573-3;1994 (DIN/BS) EN 755-2;1997	<=3	130	175	8	6					
	3<ø<=25	110	160	7	5					



# Aluminium Illuminated Stair Tread



- High strength aluminium
- Anti-slip tread pattern
- Illumination strip for safety once lights have been turned off
- UV stable
- Available in 1metre and 3metre lengths
- Adhesive fixing



ALLOY: 6063

TEMPER: T5

### CHEMICAL CONTENT

STANDARD	SILICONE (%)	IRON (%)	COPPER (%)	MANGANESE (%)	MAGNESIUM (%)	CHROMIUM (%)	ZINC (%)	TITANIUM (%)	OTHER (each 0.05%) (%)	ALUMINIUM (%)
(DIN/BS) EN 573-3;1994 (DIN/BS) EN 755-2;1997	0.20~0.60	0.35	0.1	0.1	0.45~0.90	0.1	0.1	0.1	0.15	Rem

### MECHANICAL PROPERTY

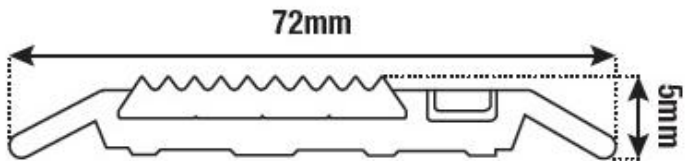
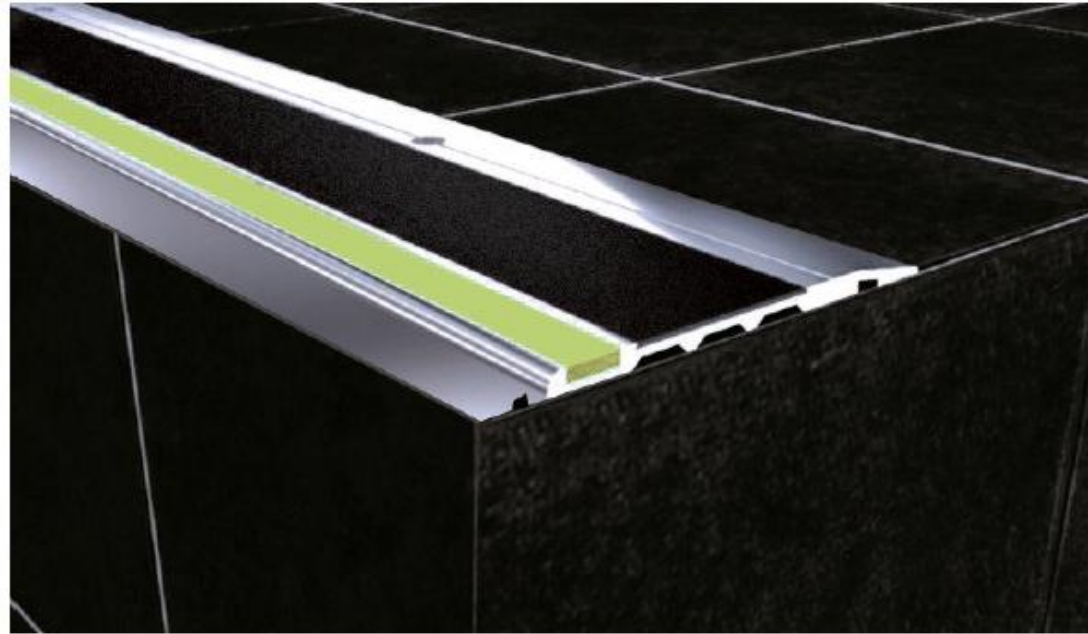
STANDARD	DIMENSION (mm)	0.2% Proof Stress minimum (N/mm <sup>2</sup> )	Tensile Strength minimum (N/mm <sup>2</sup> )	Elongation (%)	Elongation on 50mm (%)
(DIN/BS) EN 573-3;1994 (DIN/BS) EN 755-2;1997	<=3	130	175	8	6
	3<e<=25	110	160	7	5



# Illuminated Safety Trim



- Utilises high strength, heat treated aluminium alloy for extra durability
- Anti-slip tread rubber insert
- The illuminated strip allows for illumination of the trim when lights have been turned off
- Counter sunk holes with self adhesive for easy installation
- Suitable for both indoor and outdoor applications
- UV and water resistant



ALLOY: 6063

TEMPER: T5

CHEMICAL CONTENT										
STANDARD	SILICONE (%)	IRON (%)	COPPER (%)	MANGANESE (%)	MAGNESIUM (%)	CHROMIUM (%)	ZINC (%)	TITANIUM (%)	OTHER (each 0.05%) (%)	ALUMINIUM (%)
(DIN/BS EN 573-3;1994 (DIN/BS EN 755-2;1997)	0.20~0.60	0.35	0.1	0.1	0.45~0.90	0.1	0.1	0.1	0.15	Rem
MECHANICAL PROPERTY										
STANDARD	DIMENSION (mm)	0.2% Proof Stress minimum (N/mm <sup>2</sup> )	Tensile Strength minimum (N/mm <sup>2</sup> )	Elongation (%)	Elongation on 50mm (%)					
(DIN/BS EN 573-3;1994 (DIN/BS EN 755-2;1997)	<=3	130	175	8	6					
	3<e<=25	110	160	7	5					

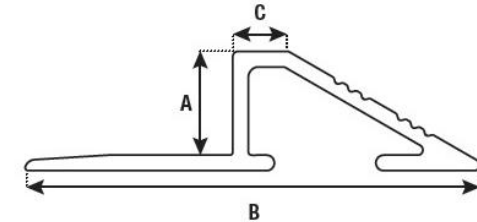
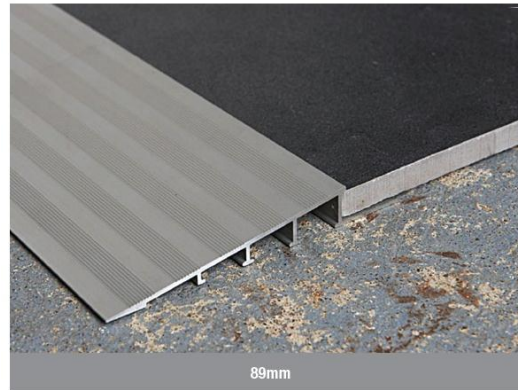




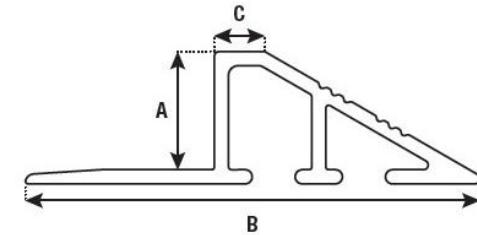
# Aluminium Transition Edge



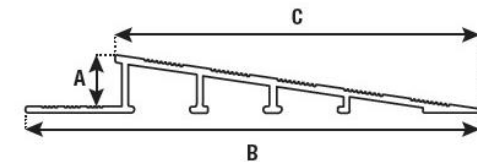
- Transition step edge available in 1 metre and 3 metre lengths
- 30 degree incline allows for a gradual transition from either concrete, wood floor or vinyl to protect the edge of the tile
- Ideal for domestic or commercial application
- Available in 6 sizes and 3 different colours (Customised colours are available on request)
- Profiles 12.5mm and larger have a support leg for extra strength



Size	B	C
8mm	40mm	5.5mm
10mm	42mm	5.5mm



Size	B	C
12.5mm	48mm	5.5mm
16mm	54mm	5.5mm
18.5mm	58mm	5.5mm



Size	B	C
12.5mm	111mm	89mm

ALLOY:	6063	TEMPER:	T5							
CHEMICAL CONTENT										
STANDARD	SILICONE (%)	IRON (%)	COPPER (%)	MANGANESE (%)	MAGNESIUM (%)	CHROMIUM (%)	ZINC (%)	TITANIUM (%)	OTHER (each 0.05%) (%)	ALUMINIUM (%)
(DIN/BS) EN 573-3:1994 (DIN/BS) EN 755-2:1997	0.20-0.60	0.35	0.1	0.1	0.45-0.90	0.1	0.1	0.1	0.15	Rem
MECHANICAL PROPERTY										
STANDARD	DIMENSION (mm)	0.2% Proof Stress minimum (N/mm <sup>2</sup> )	Tensile Strength minimum (N/mm <sup>2</sup> )	Elongation (%)	Elongation on 50mm (%)					
(DIN/BS) EN 573-3:1994	<=3	130	175	8	6					
(DIN/BS) EN 755-2:1997	3<e<=25	110	160	7	5					