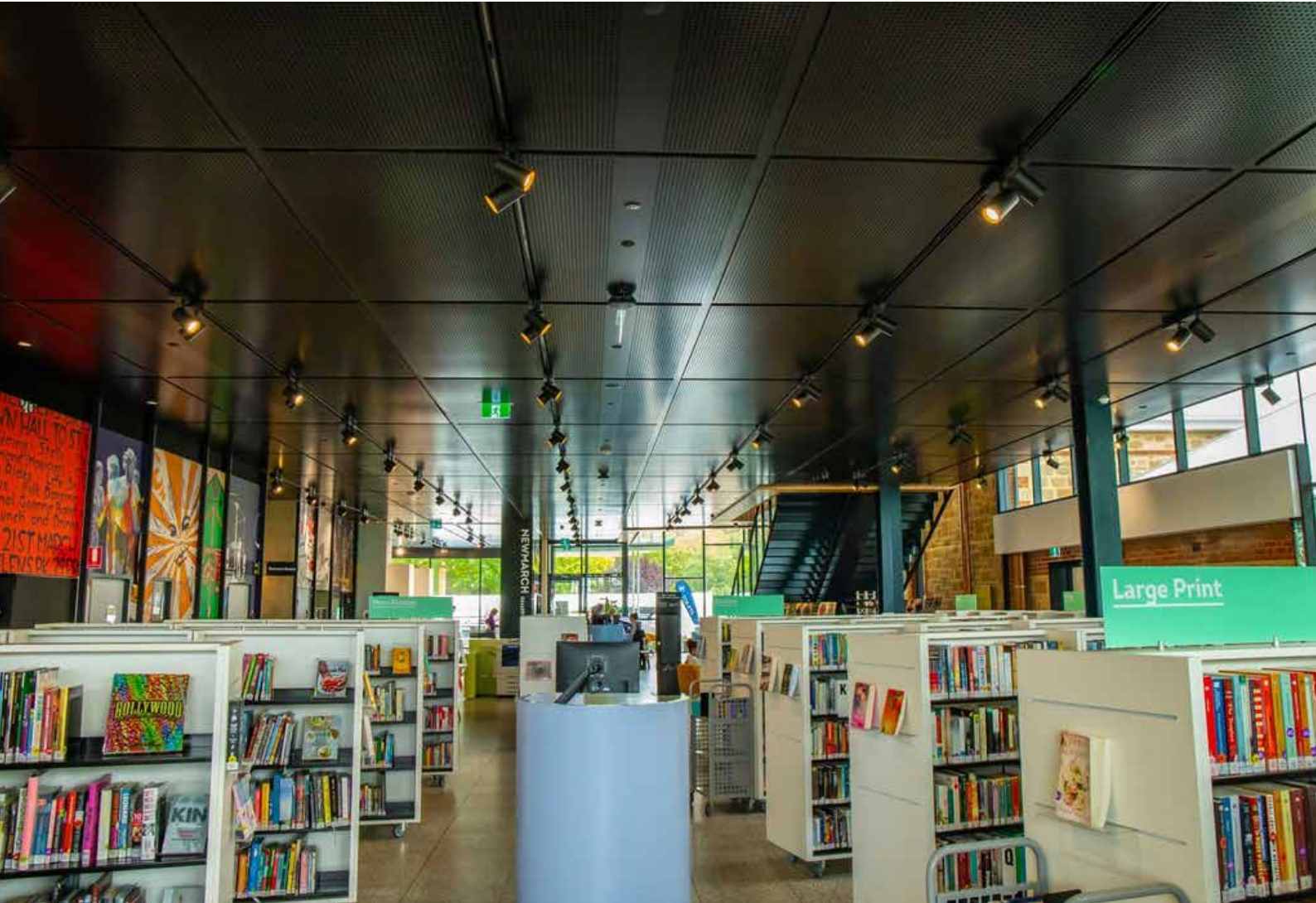


KEY-LENA



KEYSTONE
LININGS & ACOUSTICS

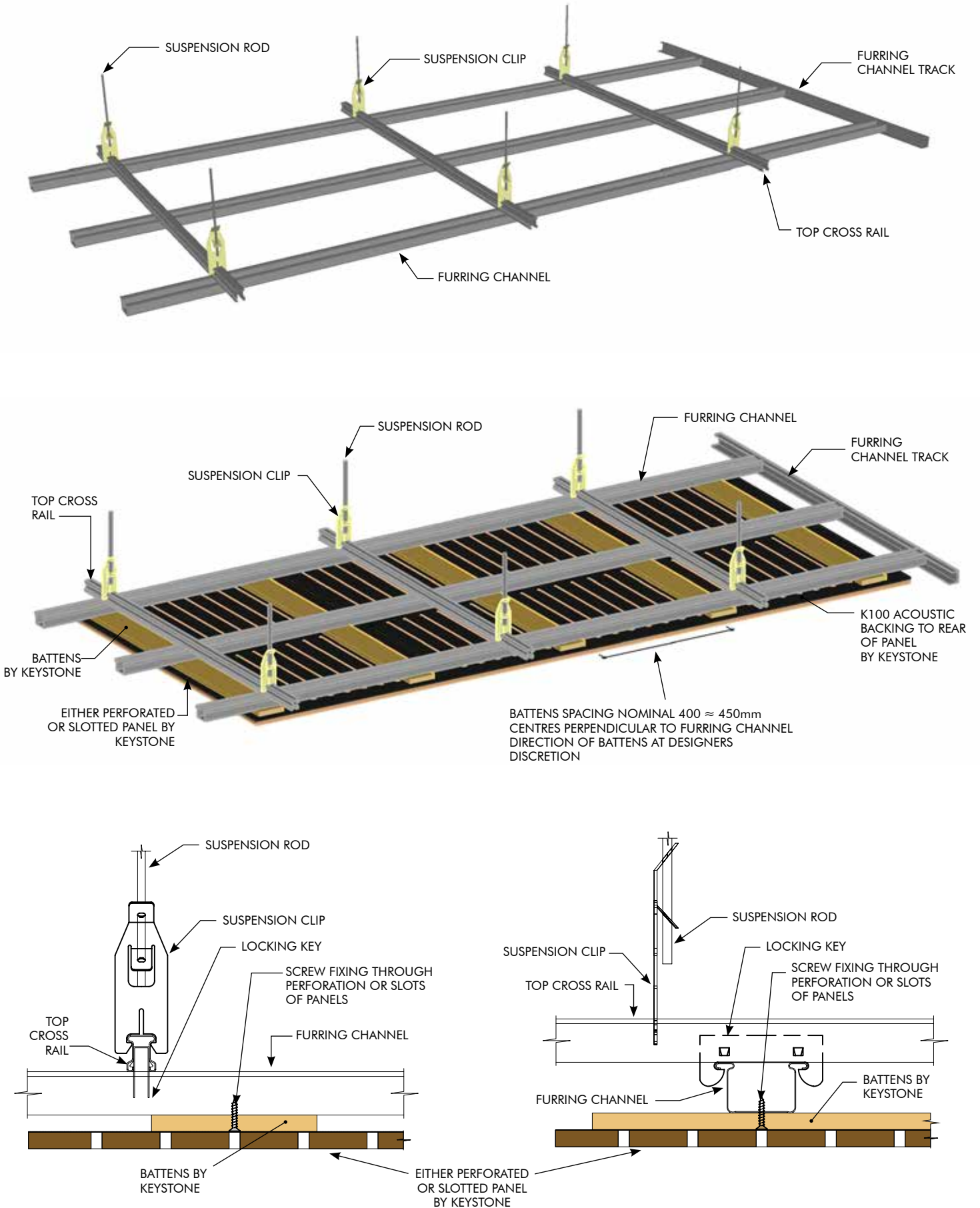
A graphic element consisting of a grid of blue dots of varying sizes, arranged in a pattern that suggests a circular or semi-circular shape, positioned to the right of the company name.

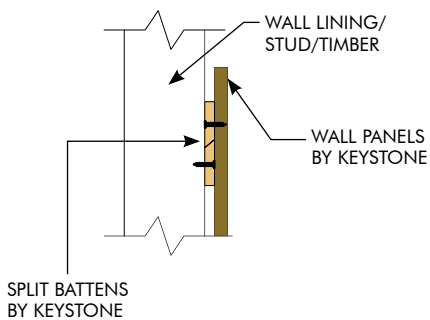
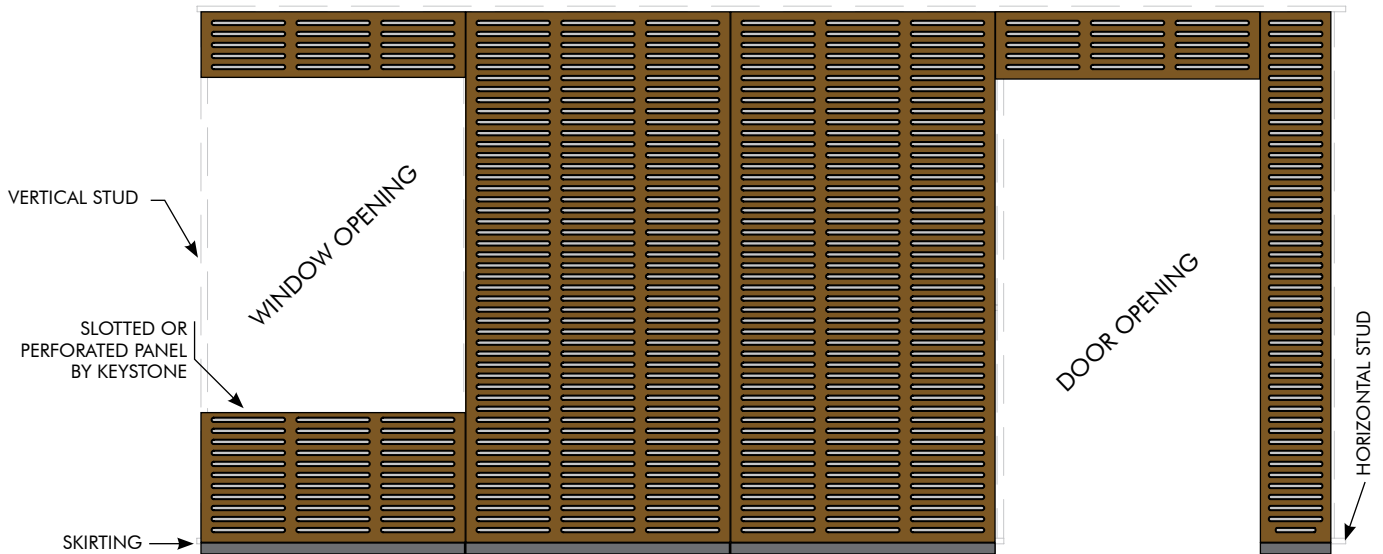
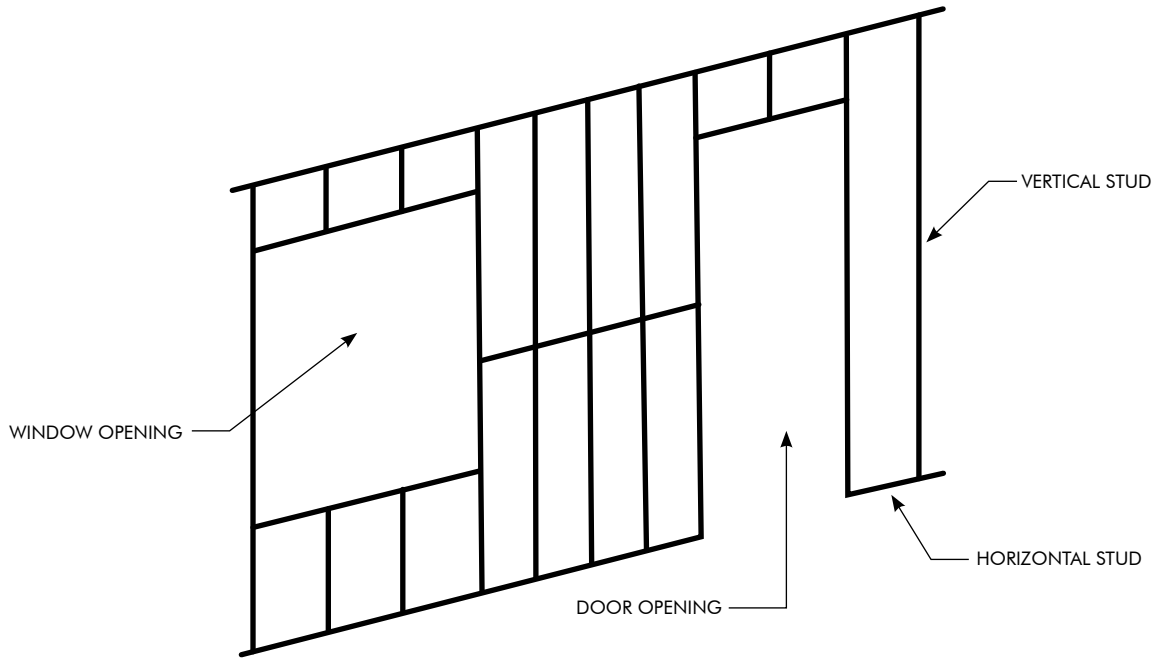
We bring Architects Imagination to Life

www.KeystoneLinings.com.au

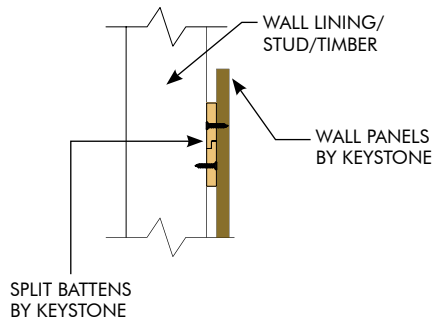
INSTALLATION GUIDE CEILING & WALLS

KEY-LENA INSTALLATION GUIDE - CEILING

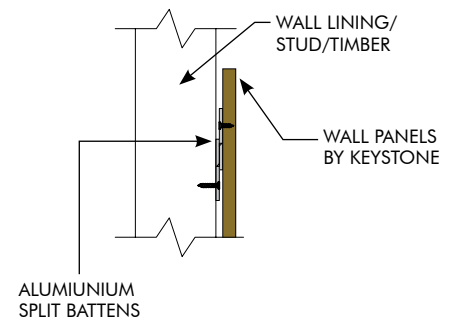




BATTENS TYPE 12M
12MM MDF BATTENS MITRED



BATTENS TYPE 12R
12MM MDF BATTENS REBATED



BATTENS SLIM LINE
ALUMINIUM SPLIT BATTENS

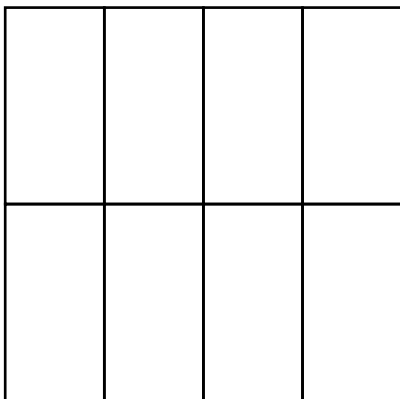


UniSA Pridham Hall, Adelaide

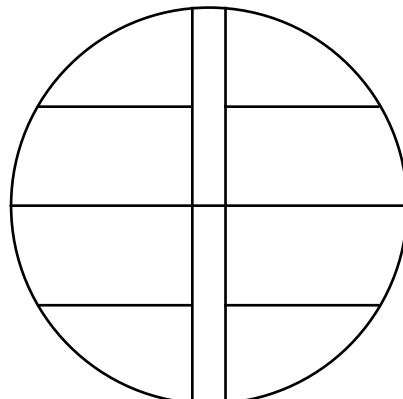
KEY-LENA

PANEL LAYOUT OPTIONS - CEILING AND WALL

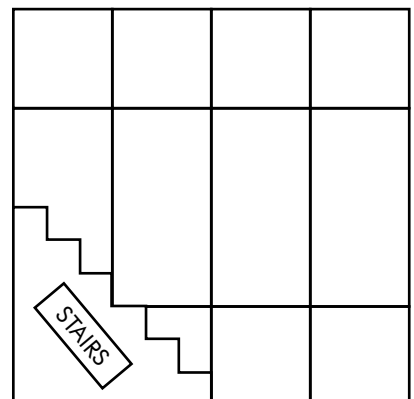
STANDARD VERTICAL LAYOUT



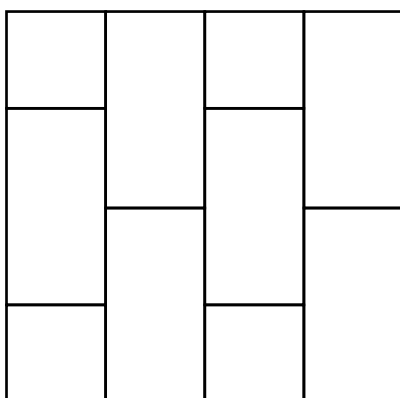
SHAPED PANELS LAYOUT



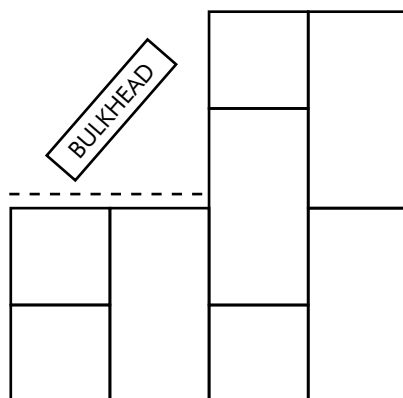
STANDARD VERTICAL LAYOUT



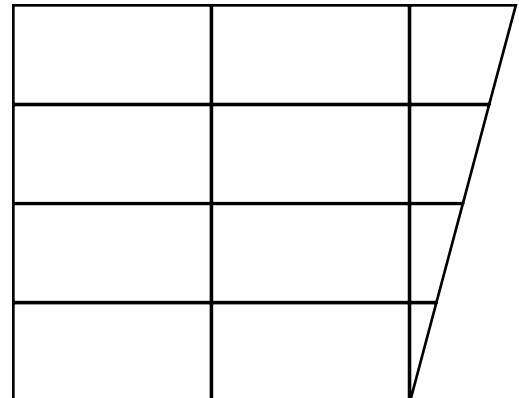
STANDARD VERTICAL BRICK PATTERN



STANDARD VERTICAL BRICK PATTERN BULKHEAD



STANDARD HORIZONTAL LAYOUT - SHAPED PANELS



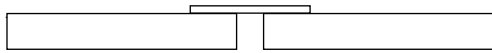


The Lakes Hotel, NSW

KEY-LENA

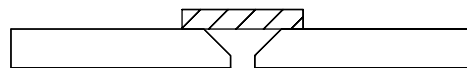
EDGE DETAIL AND JOINT OPTIONS

ED - 10/S
ED - 15/S



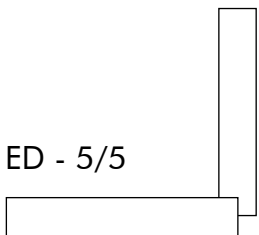
- Express Joint Detail - Square edge
- 50MM X 0.7MM Black Laminate Strips

ED - 3/45NM
ED - 5/45NM



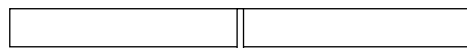
- 45° Negative Mitre Detail

ED - 5/5



- 5mm Birds Beak Detail

ED - 1.5/1.5B
ED - 3/3B

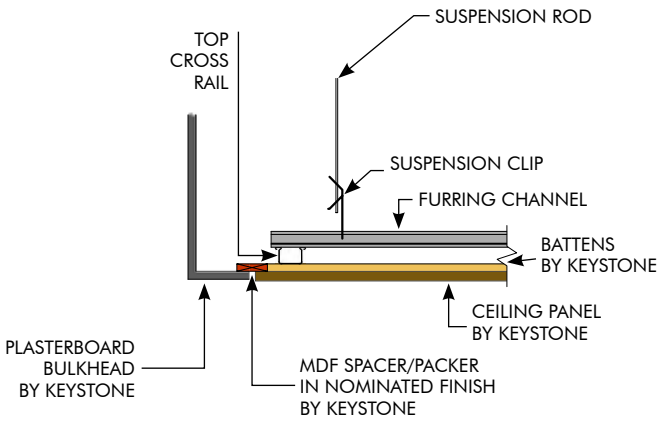


- Aluminium Joint Detail

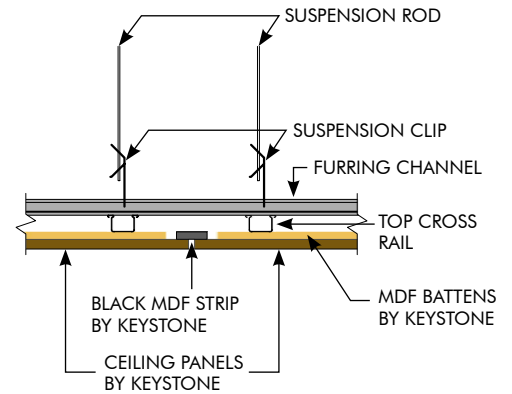
ED - 3/1.5V
ED - 6/3V



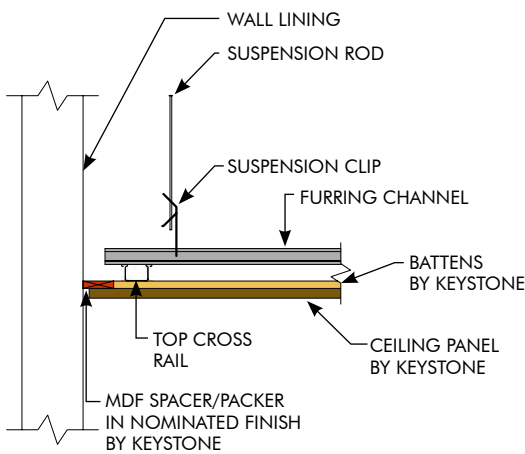
- 45° Arris Joint Detail



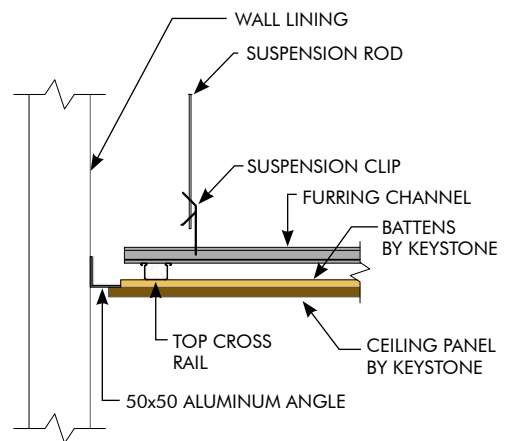
PLASTERBOARD & CEILING PANEL JUNCTION



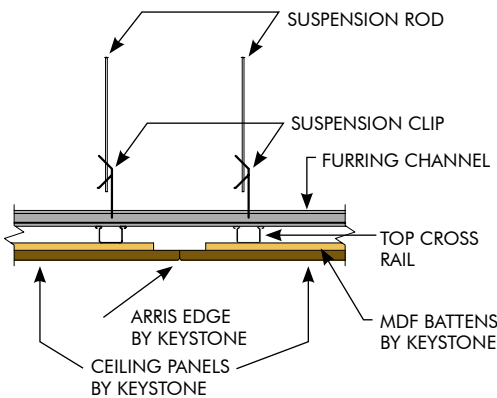
EXPRESS JOINT DETAIL



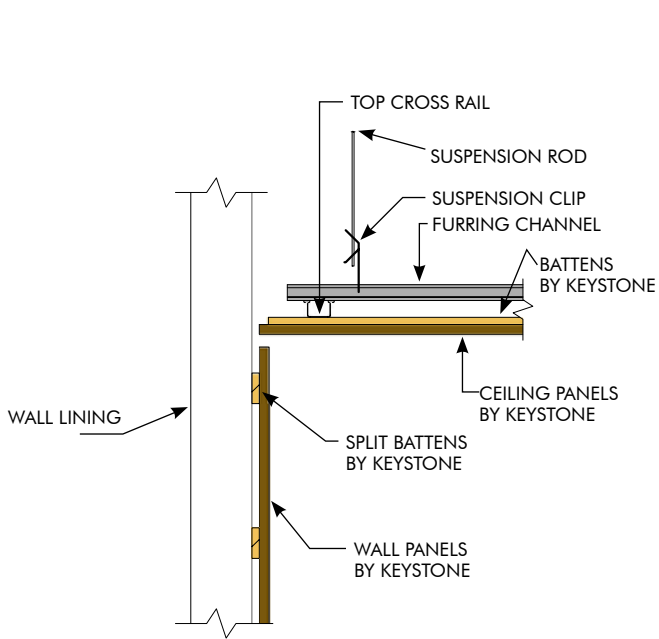
CEILING PANEL AT WALL JUNCTION (TYPE 1) MDF SPACER/PACKER



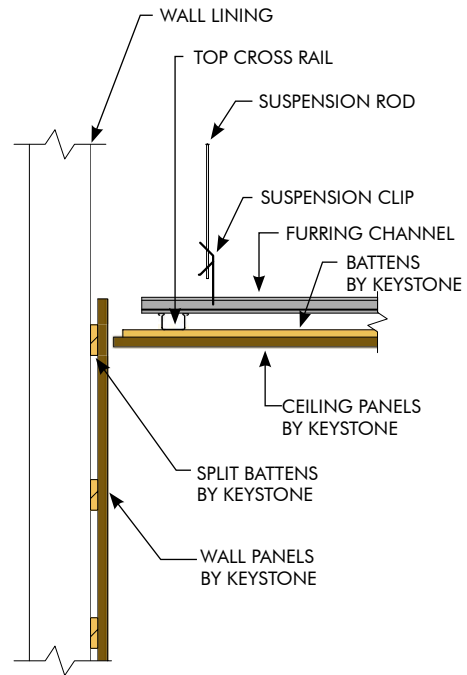
CEILING PANEL AT WALL JUNCTION (TYPE 2) ALUMINUM ANGLE



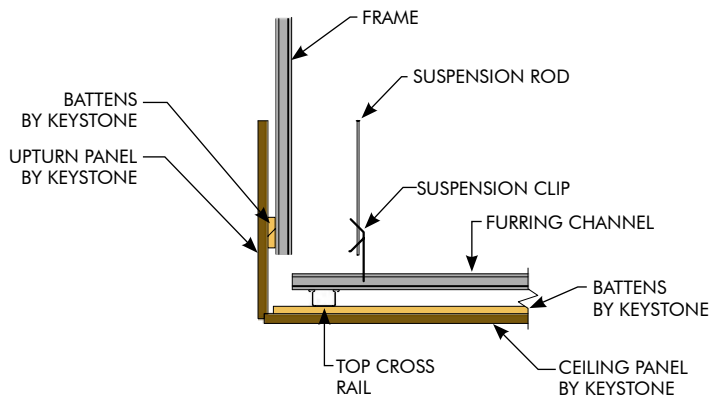
ARRISED CORNER BUTT JOINT DETAIL



**CEILING PANEL AT WALL JUNCTION
(TYPE 4)**



**CEILING PANEL AT WALL JUNCTION
(TYPE 3)**



**CEILING PANEL AT WALL JUNCTION
BIRDS BEAK DETAIL
(TYPE 5)**

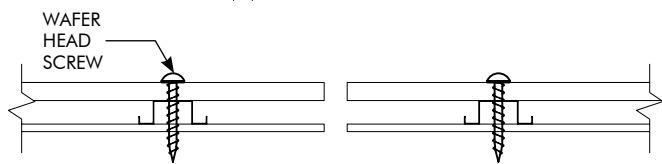
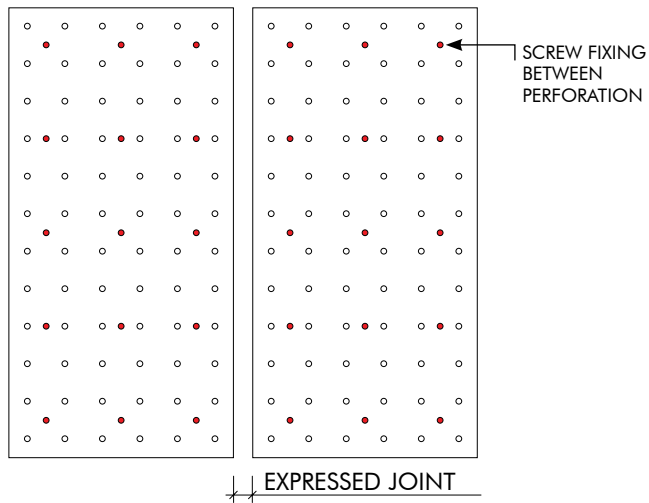


Penfolds Magill Estate

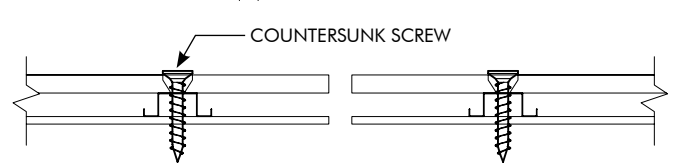
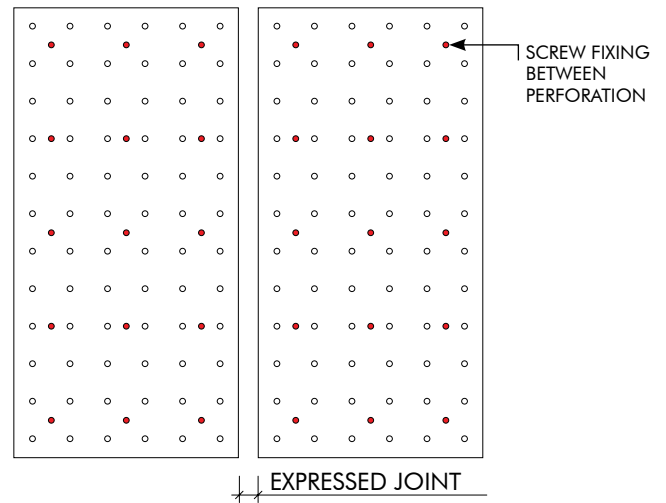
KEY-LENA

EXPOSED FIXING OPTIONS - CEILING & WALLS

EXPOSED FACE FIXING - WAFFER HEAD SCREWS



EXPOSED FACE FIXING - COUNTERSUNK SCREWS

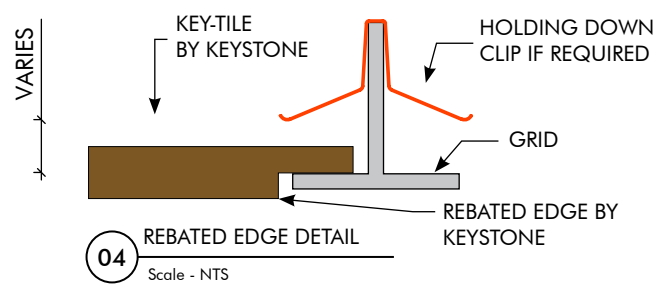
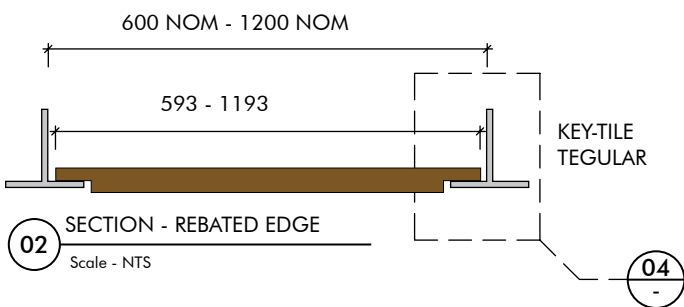
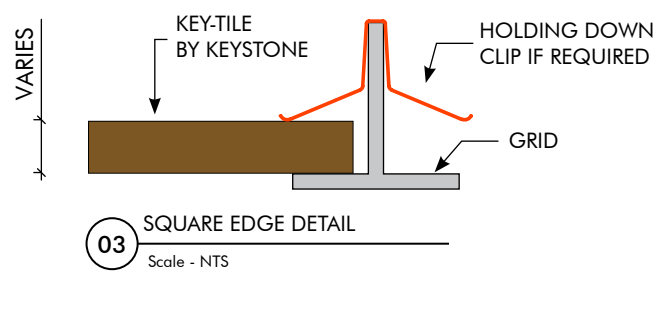
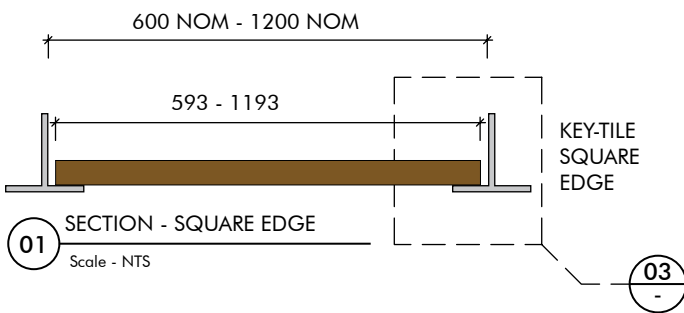




Grant Thornton Office, Melbourne

KEY-LENA

KEY-TILE - CEILING TILES - D.I.T.



KEY-TILE			
	12mm	16mm	18mm
1193 x 593	✓	✓	✓
593 x 593	✓	✓	✓
Weight (Kg/m2)	9.0	11.6	13.1

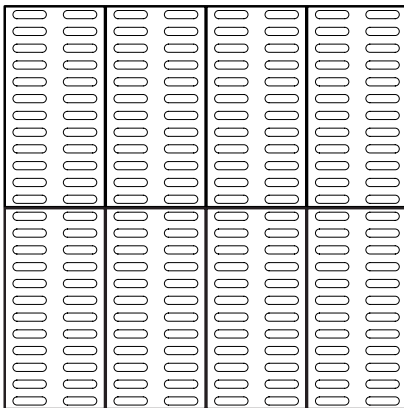


Contech Office

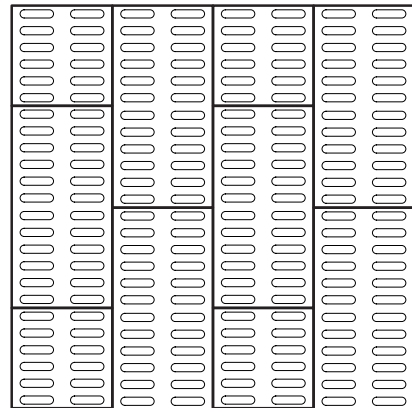
KEY-LENA

KEY - TILE - CEILING TILES - D.I.T. LAYOUT OPTIONS

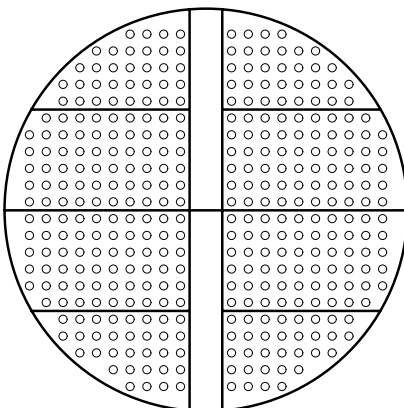
STANDARD LAYOUT



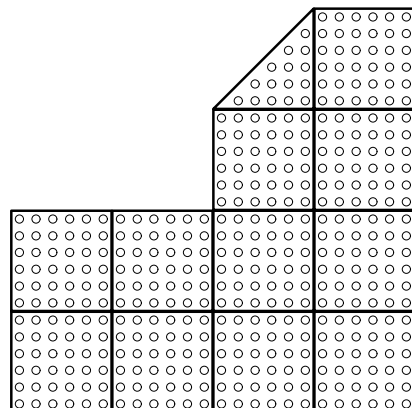
BRICK PATTERN



SHAPED LAYOUT



STANDARD LAYOUT



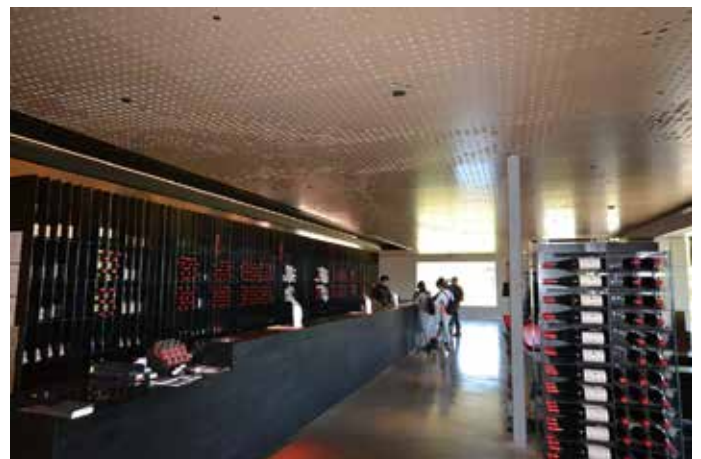
THE LAKES HOTEL



UNISA PRIDHAM HALL



PENFOLDS MAGILL ESTATE



ADELAIDE BOTANIC HIGH SCHOOL, ADELAIDE



PROSPECT PUBLIC LIBRARY



GRANT THORNTON OFFICE





Level 1, 7-8 Davis Road,
Wetherill Park, NSW 2164
02 9604 8813
www.KeystoneLinings.com.au