



# LUNA HT

GAS CONDENSING  
WALL HUNG BOILERS



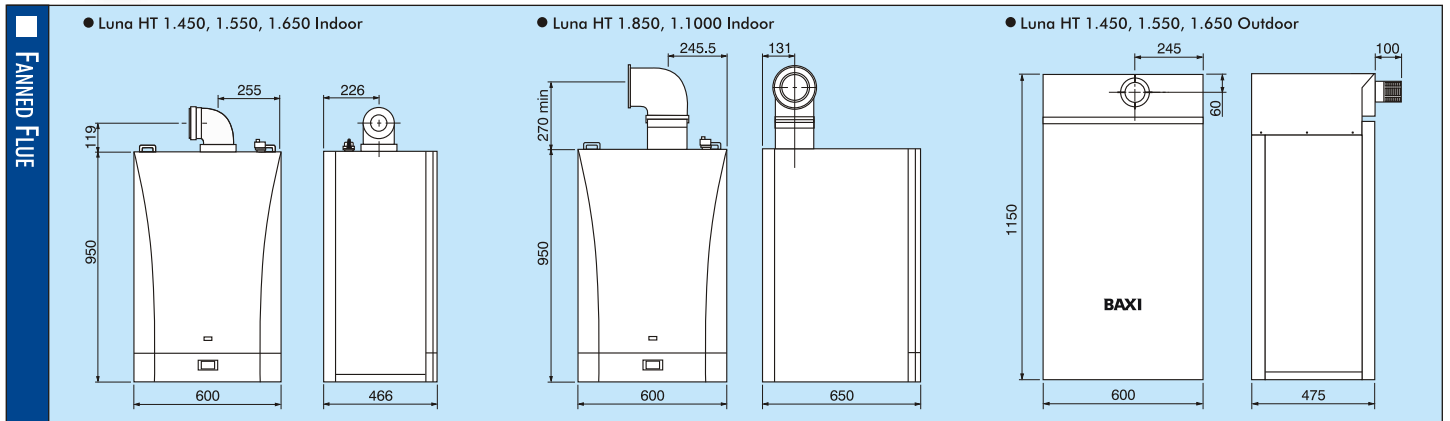


Baxi and Hydroheat Supplies are proud to introduce a top class wall mounted condensing boiler range, combining leading edge technology, high efficiency with compact dimensions. The Luna HT range is suitable for indoor (45-100kW) and outdoor (45-65kW) installation and is available in 5 models 45, 55, 65, 85 and 100kW. Thanks to the sophisticated electronics this condensing range is ideal for single unit installations and cascade systems of up to 16 boilers in series.

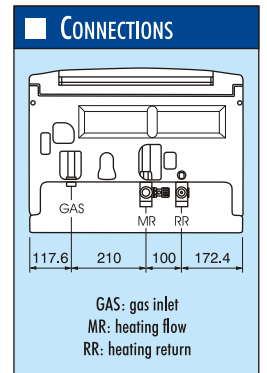
## FEATURES

- Modulating fan for ensuring the maximum efficiency and the constant air/gas ratio for the whole range of outputs
- BAXI by Siemens remote controller and outdoor probe option for outdoor compensation
- Text display, digital boiler programming, setting and control / double CPU microprocessor for performance optimization
- System to prevent pump sticking operating every 24 hours
- Anti-frost device
- Mixed system control (high and low temperature) and cascade installation option
- Connection available for indirect DHW cylinder
- Electrical connection for heating and DHW pump

- ✓ **OUTPUT RANGE FROM 45 TO 100 kW**
- ✓ **PREMIXING BURNER**
- ✓ **STAINLESS STEEL HEAT EXCHANGER**



TECHNICAL DATA	HT 1.450		HT 1.550		HT 1.650		HT 1.850		HT 1.1000			
	Indoor/Outdoor	Indoor/Outdoor	Indoor/Outdoor	Indoor/Outdoor	Indoor	Indoor	Indoor	Indoor	Indoor	Indoor		
Rated heat output 80 deg C.	kW		45	55	65	85	100	48.7	59.5	70.3	91.6	110.3
Rated heat output 50 deg C.	kW		14.5	15.5	19.3	29.3	29.8	167	204	241	348.8	368
Reduced heat output	kW		300	300	300	300	300	25-80	25-80	25-80	25-80	25-80
Nominal gas consumption	MJ/h		80	80	80	110	110	80	80	80	110	110
Central heating system max	kPa		80	80	80	110	110	80	80	80	110	110
Heating circuit Temperature range	deg C.		74	78	75	74	79	NG / Propane	NG / Propane	NG / Propane	NG / Propane	NG / Propane
Concentric flue duct diameter	mm		1.13 / 2.75	1.13 / 2.75	1.13 / 2.75	1.13 / 2.75	1.13 / 2.75	240V AC / 50 Hz	240V AC / 50 Hz	240V AC / 50 Hz	240V AC / 50 Hz	240V AC / 50 Hz
Concentric air duct diameter	mm		75	80	125	150	200	64 / 67	68 / 71	72 / 75	94	98
2-pipe flue duct diameter	mm		950	950	950	950	950	600	600	600	600	600
2-pipe air duct diameter	mm		466	466	466	650	650	1150	1150	1150	-	-
Max flue temperature	deg C.		475	475	475	-	-	475	475	475	-	-
Type of Gas used	-		117.6	210	100	172.4	-	3/4"	3/4"	3/4"	1"	1"
Gas pressure	kPa		1"	1"	1"	1 1/2"	1 1/2"	96	96	96	96	96
Power supply voltage / frequency	-		1"	1"	1"	1 1/2"	1 1/2"	90	90	90	90	90
Power consumption	watts											
Net weight indoor / outdoor	kg											
Dimensions indoor	Height mm											
	Width mm											
	Depth mm											
Dimensions outdoor	Height mm											
	Width mm											
	Depth mm											
Gas Inlet - (GAS)	Inches BSP											
Heating flow - (MR)	Inches BSP											
Heating return - (RR)	Inches BSP											
Efficiency @ 50 deg C.	%											
Efficiency @ 80 deg C.	%											



Certified by  
The Australian  
Gas Association  
AGA Cert. No. 7023

Due to our constant endeavour for improvement, we reserve the right to change product specification without notice.

Distributed by:



**HYDROHEAT SUPPLIES PTY LTD**  
P.O. BOX 1045  
58-62 Malcolm Road  
BRAESIDE, VICTORIA, 3195  
Ph 03 9588 1299 Fax 03 9588 2199  
<http://www.hydroheat.com.au>