

Cowdroy is an Australian company supplying industry leading door and window hardware to retail, trade and architectural outlets.

Established in 1890, Cowdroy specialises in door tracking systems, window and door seals, replacement wheels & rollers, sliding glass cabinet tracking systems and door hardware.

Cowdroy are makers of industry leading products such as the Robemaker wardrobe tracking system with patented Snap-Strip fitting and the Triumph door track range for sliding and multi-folding doors.

HEAD OFFICE SYDNEY

Unit 3, 42-44 Redfern St
Wetherill Park, NSW 2164
Ph: (02) 9604 3000
Fax: (02) 9604 8129
Sales fax: (02) 9609 3694

Melbourne

U1 / 34-36 Deans Court
Dandenong Sth, VIC 3175
Ph: (03) 9791 4062
Fax: (03) 9791 6759

Perth

2 Meares Way
Canning Vale, WA 6155
Ph: (08) 9455 5354
Fax: (08) 9455 5461

Hobart

ACCESS HARDWARE Pty Ltd.
Goodman Cres., Invermay,
Launceston, 7248
Ph: (03) 6324 4900
Fax: (03) 6324 4901

Brisbane

U1 / 90 Pritchard Rd
Virginia, QLD 4014
Ph: (07) 3265 3311
Fax: (07) 3265 3733

Adelaide

Unit 2 / 52 Wodonga St
Beverly, SA 5009
Ph: (02) 9604 3000
Fax: (02) 9604 8129

Townsville

U1/42 Carmel St,
Garbutt, QLD 4814
Ph: (07) 4779 5122
Fax: (07) 4725 5495

Auckland NZ

18 Kerwyn Ave, East Tamaki
Phone: (09) 274 7279
Fax: (09) 274 4453

Christchurch NZ

13B Parkhouse Rd, Sockburn
Phone: (03) 943 2060
Fax: (03) 943 2061

TECHNICAL SPECIFICATIONS	
Max Door Weight:	450kg per door
Door Thickness:	32mm min
Wheel Diameter:	38mm
Track Size:	49mm x 49mm x 5800mm

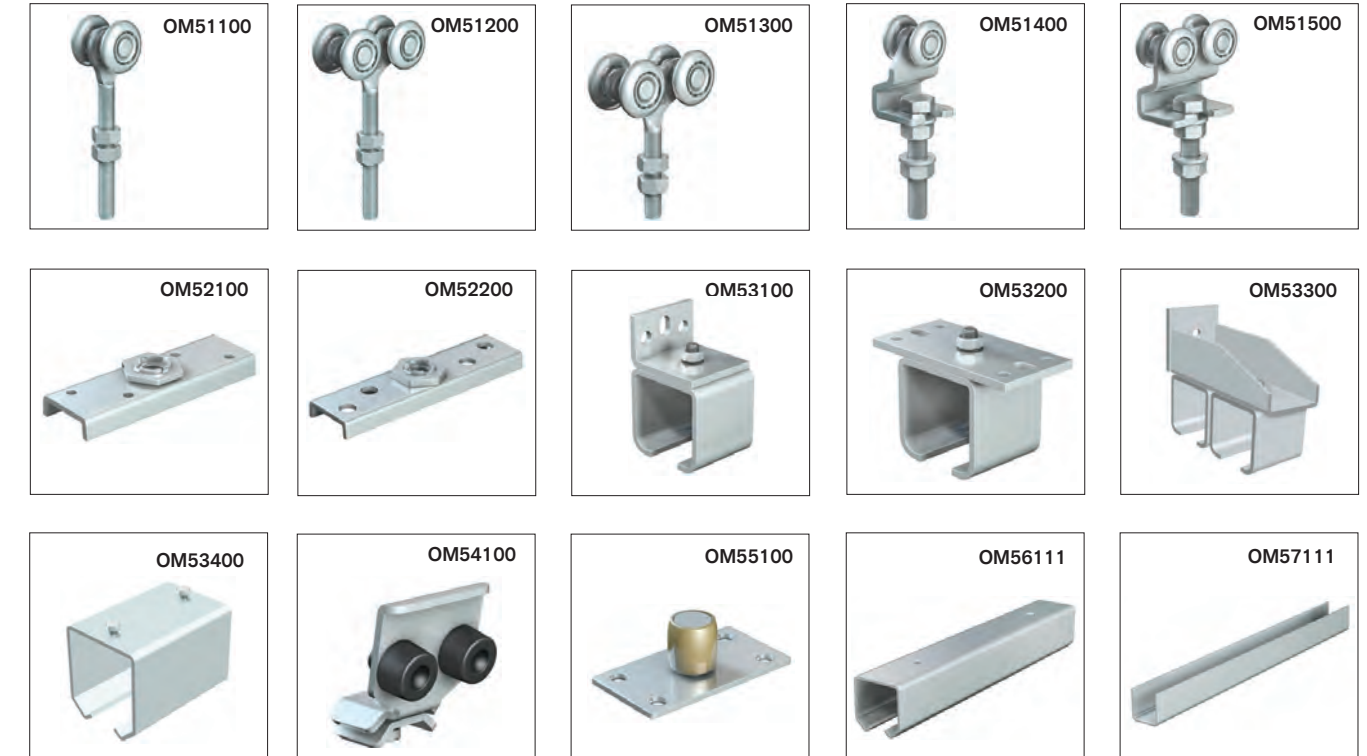
A robust top-hung system designed for doors in top-fix and wall-mount applications. The enclosed track design allows for a more secure system as the wheels cannot jump off the track. With 5 wheel assembly options, Industro can be used for a variety of door weights and applications.

FEATURES

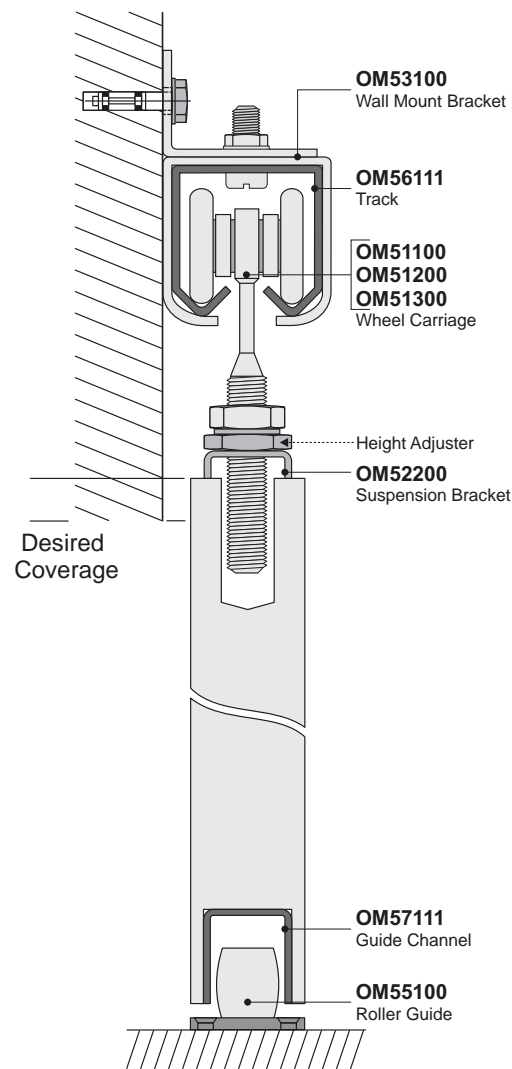
- Super heavy duty - ideal for industrial and commercial applications
- Choice of 2-wheel or 4-wheel assemblies in fixed-pin or bracketed options
- Zinc plated steel brackets
- Galvanised steel track, pre-punched @ 300mm centres
- Choice of track mounting brackets for top mount, wall mount and dual tracks
- Optional track joiner for wider openings and further travel

USE

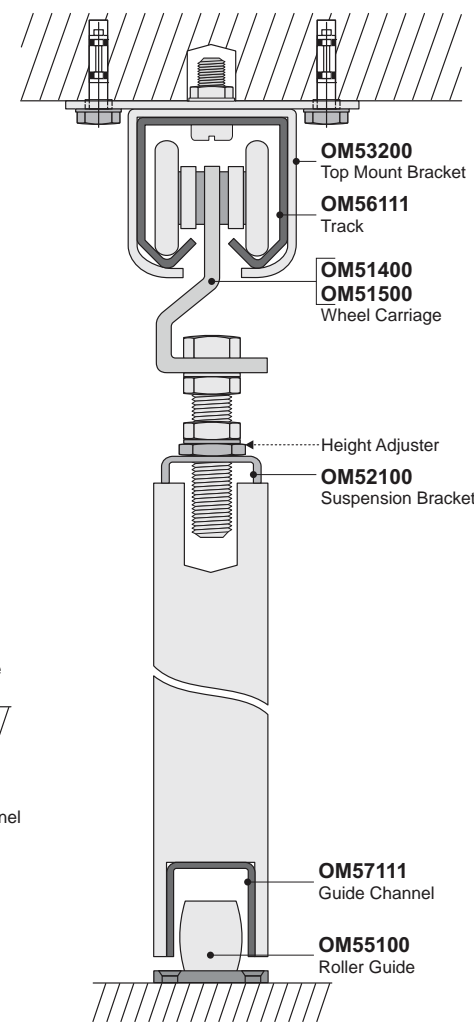
Ideal for heavy domestic, commercial and industrial applications including barn doors, sheds and factories.



Typical set up for Wall Mounted application



Typical set up for Top Mounted application



Industro Sliding Door Track System

Number	Description	Capacity
OM51100	2 WHEEL CARRIAGE WITH FIXED PIN 110mm X M12 BOLT	300KG PER PAIR
OM51200	4 WHEEL CARRIAGE WITH FIXED PIN 110mm X M12 BOLT	450KG PER PAIR
OM51300	4 WHEEL CARRIAGE WITH FIXED PIN 60mm X M12 BOLT	450KG PER PAIR
OM51400	2 WHEEL CARRIAGE WITH BRACKET AND 60mm X M16 BOLT	300KG PER PAIR
OM51500	4 WHEEL CARRIAGE WITH BRACKET AND 60mm X M16 BOLT	450KG PER PAIR
OM52100	SUSPENSION BRACKET WITH M16 THREAD	
OM52200	SUSPENSION BRACKET WITH M12 THREAD	
OM53100	SINGLE TRACK WALL MOUNT BRACKET WITH BOLT	
OM53200	SINGLE TRACK TOP MOUNT BRACKET WITH BOLT	
OM53300	DUAL TRACK WALL MOUNT BRACKET WITH BOLT	
OM53400	SINGLE TRACK JOINER WITH SCREWS	
OM54100	DOOR STOP	
OM55100	BRASS ROLLER GUIDE	
OM56111	GALVANISED STEEL TRACK 5800mm PRE-PUNCHED	
OM57111	GALVANISED STEEL GUIDE CHANNEL 5800mm	