

WASH TROUGHS



RBA8872 Series Wash Trough

Special Features

- Vandal Resistant Design
- Hygienic One Piece Construction
- Easily and Quickly Installed
- Cost Effective compared to Traditional Basins

Description

The wash trough is designed for heavy use and is ideal for locations where a number of users require washing facilities at the same time. Easy to install with only one waste outlet connection, the wash trough is often a more cost effective solution to multiple washing applications than traditional basins. The wash trough can be site drilled to accommodate either wall or basin mounted tapware.

Construction

The wash trough is manufactured in one piece without joints or crevices from grade 304 stainless steel (16 gauge = 1.6mm), with all exposed surfaces polished to a satin finish.

Waste Outlet

The wash trough is supplied as standard with a 40 mm (1½ in) BSP waste positioned centrally.

Models Available

- RBA8872-120 1200mm in length
- RBA8872-150 1500mm in length
- RBA8872-180 1800mm in length
- RBA8872-240 2400mm in length

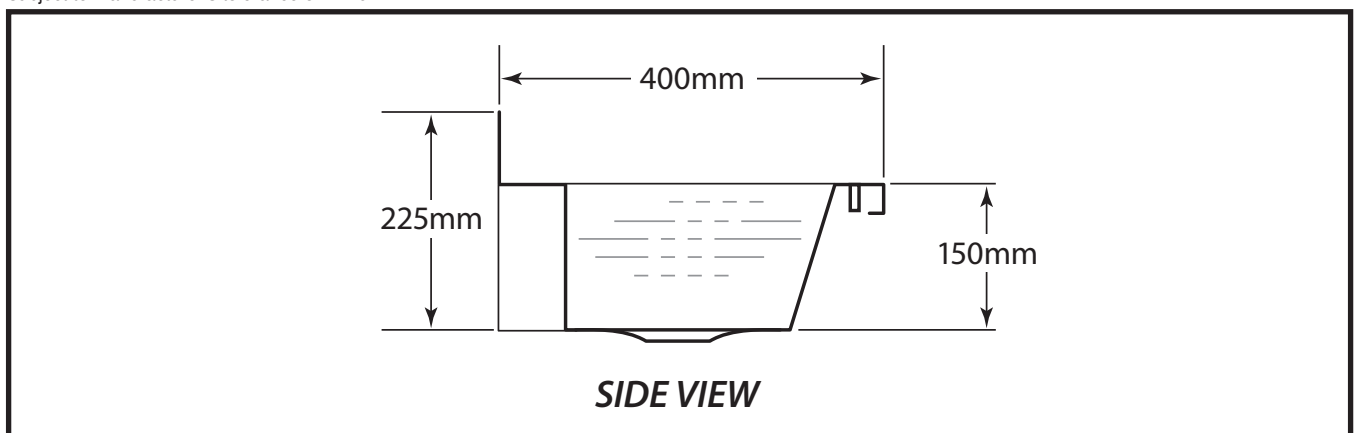
Tapware

To specify matching tapware use:

Basin Mount: RBA1083-607, satin stainless steel, 6-star, self-closing

Wall Mount: RBA1053-600, chrome plated brass, 6-star, self-closing

Important: Installation instructions and current rough-in details should be furnished with each fixture. Do not rough in without certified dimensions. Dimensions are subject to manufacturer's tolerance of +/-10mm.



As improvements in the design and performance of RBA products are continuous, specifications may be subject to change without notice. The illustrations and descriptions herein are applicable to production as of the date of this Technical Data Sheet. Revised 10/11 Printed in Australia
 © 2011 by RBA Group TD/Model RBA8872/1011