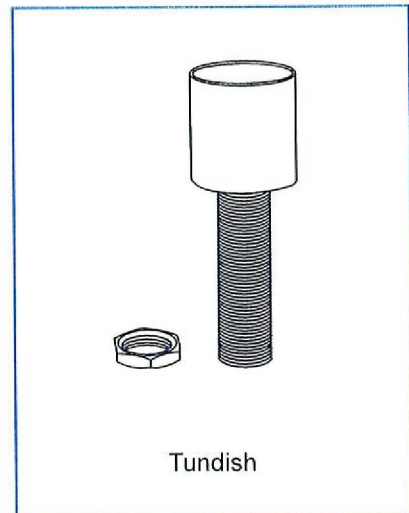
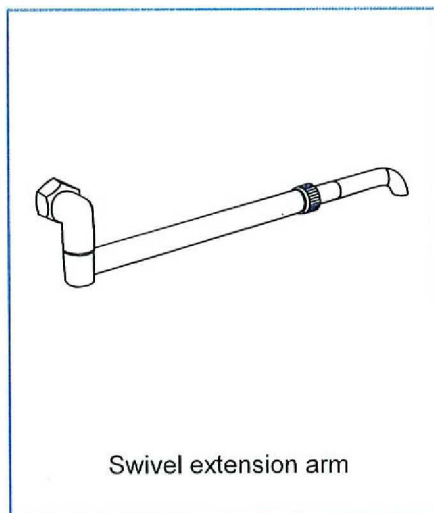
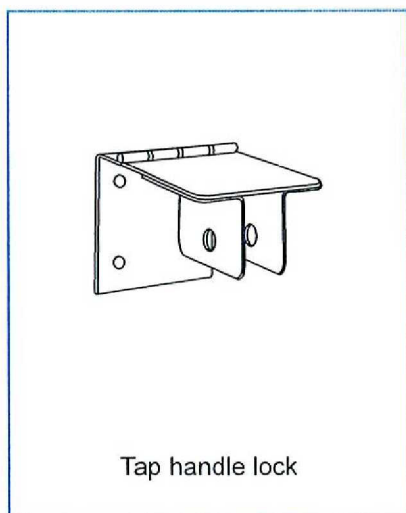
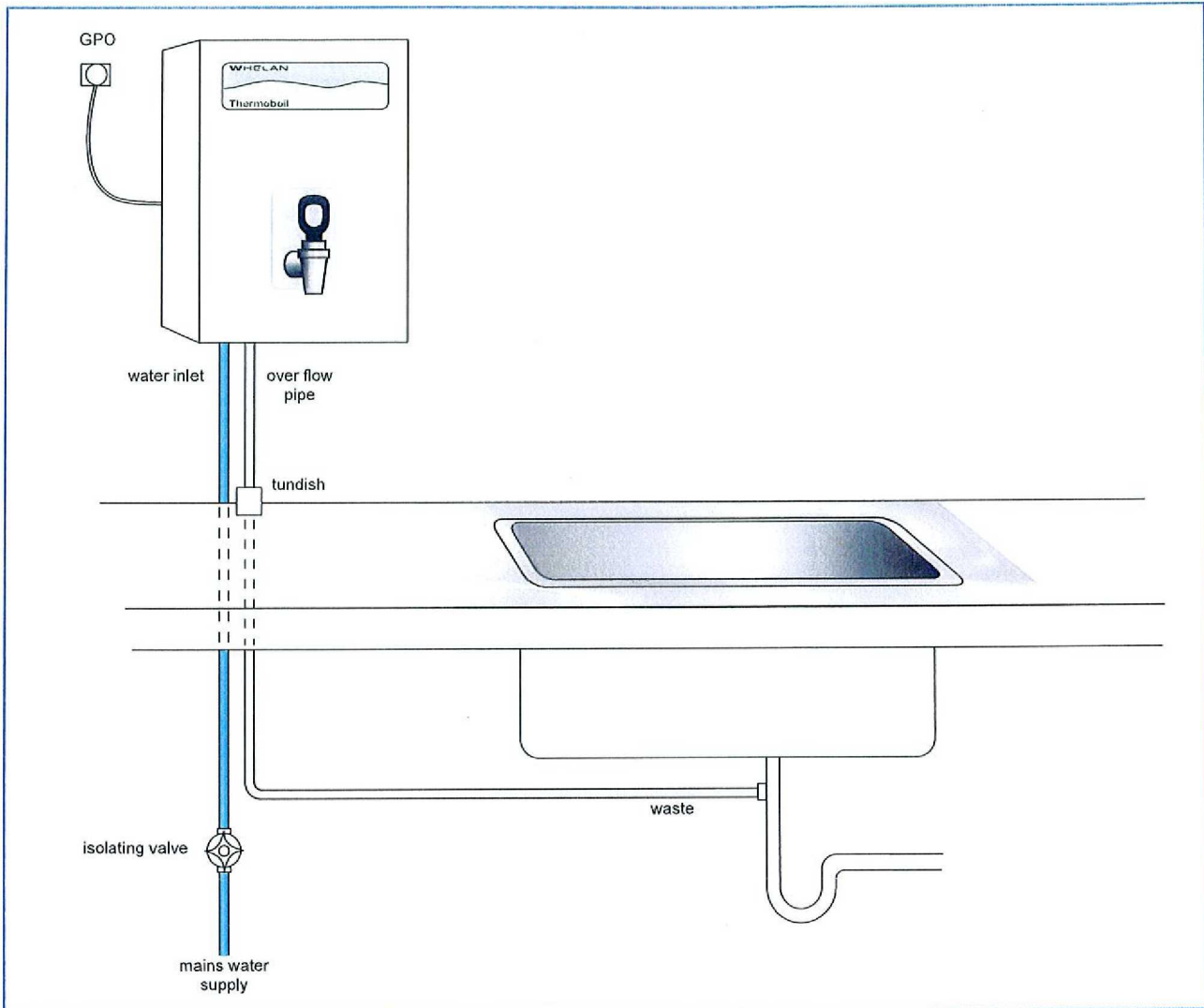


Typical Installation - Timerboil

Note. Electrical, water and overflow pipe are always on the left hand side of these models



Optional Extras for all wall mounted models

- Additional outlet taps, swivel extension arms can be fitted to larger units if required to speed up the dispensing of boiling water or filling up of urns or
- Tap handle lock can be fitted to prevent unauthorised uses of boiling water.
- External filters can be fitted to the unit to improve the water quality if necessary.

Selection Chart Whelan Timerboil

To select the correct size unit for your needs simply determine the maximum number of cups of boiling water are required at any one time, then choose the corresponding model from the chart below.

| MODEL NO. | No. OF CUPS SERVED | CUP/Hr RECOVERY | TOTAL KW | PHASE/ VOLTAGE | VOLTAGE | HEIGHT mm | WIDTH mm | DEPTH mm |
|-----------|--------------------|-----------------|----------|----------------|---------|-----------|----------|----------|
| TID 2.5 | 13 | 110 | 2.4 | 1 | 1/240 | 470 | 330 | 160 |
| TID 5 | 25 | 110 | 2.4 | 1 | 1/240 | 470 | 330 | 160 |
| TI 7.5 | 38 | 110 | 2.4 | 1 | 1/240 | 580 | 430 | 180 |
| TI 10 | 50 | 110 | 2.4 | 1 | 1/240 | 580 | 430 | 180 |
| TI 15 | 75 | 110 | 2.4 | 1 | 1/240 | 650 | 450 | 260 |
| TI 20 | 100 | 135 | 3.0 | 1 | 1/240 | 650 | 450 | 260 |
| | | 220 | 4.8 | 2 | 2/240 | | | |
| | | 320 | 7.2 | 3 | 3/240 | | | |
| TI 25 | 125 | 135 | 3.0 | 1 | 1/240 | 750 | 460 | 260 |
| | | 220 | 4.8 | 2 | 2/240 | | | |
| | | 320 | 7.2 | 3 | 3/240 | | | |
| TI 30 | 150 | 135 | 3.0 | 1 | 1/240 | 750 | 460 | 260 |
| | | 220 | 4.8 | 2 | 2/240 | | | |
| | | 320 | 7.2 | 3 | 3/240 | | | |
| * TI 50* | 250 | 320 | 7.2 | 3 | 3/240 | 800 | 600 | 260 |
| * TI 60* | 300 | 320 | 7.2 | 3 | 3/240 | 800 | 600 | 260 |

* Models TI 50 and TI 60 will be supplied in white colourbond as standard. Optioanl stainless steel casing can be supplied as specified