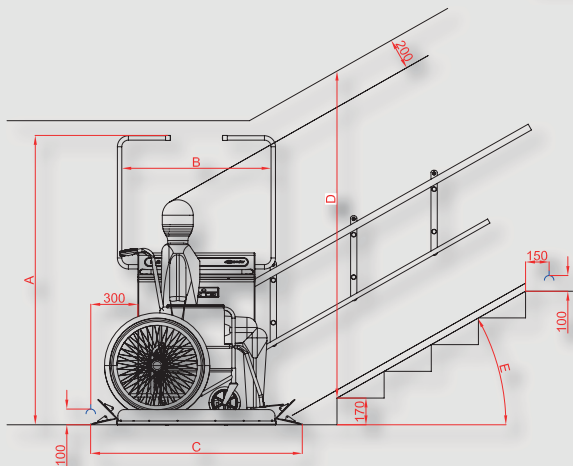
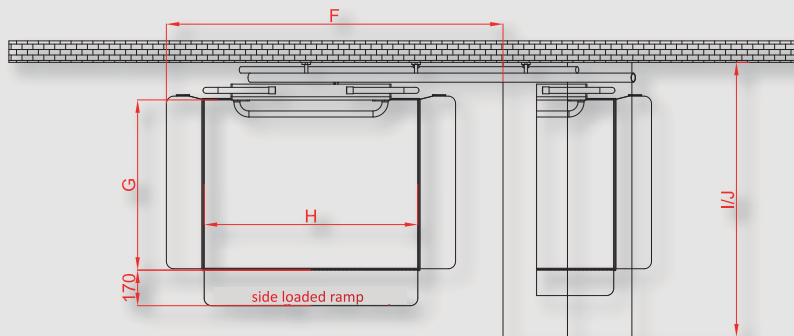


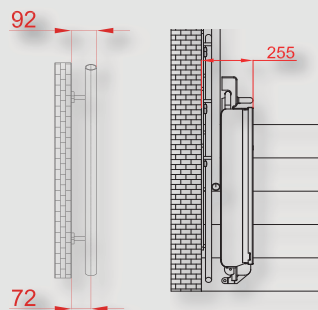


## REQUIRED SPACE

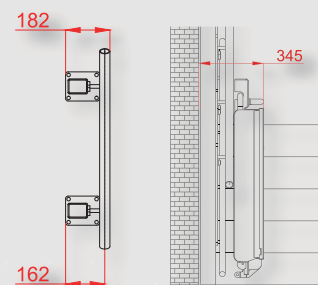
### PLATFORM STAIRLIFT STRAIGHT PLG7



#### WALL MOUNTED RAIL



#### STANCHION MOUNTED RAIL



F = required space in front of first riser  
(depends on the height of first step)

E = inclination of the staircase

I = minimum stair width

J = minimum stair width with side loaded ramp

D = required bulkhead height

The minimum stair width (I/J) allows a 10mm clearance.

#### NOTE

THIS DRAWING IS FOR GUIDANCE ONLY AND MAY NOT BE USED FOR SPECIFIC PROJECTS.

	800	900	1000	1210	1250	1300	800	900	1000	1210	1250	1300
E	D	D	D	D	D	D	F	F	F	F	F	F
15°	1791	1813	1834	1863	1868	1874	1680	1780	1880	2090	2130	2180
20°	1859	1888	1917	1955	1962	1971	1522	1622	1722	1932	1972	2022
25°	1933	1970	2007	2056	2066	2077	1426	1526	1626	1836	1876	1926
30°	2015	2062	2108	2168	2180	2194	1361	1461	1561	1771	1811	1861
35°	2110	2166	2222	2295	2309	2327	1314	1414	1514	1724	1764	1814
40°	2220	2287	2354	2442	2459	2480	1278	1378	1478	1688	1728	1778
45°	2350	2430	2510	2615	2635	2660	1249	1349	1479	1659	1699	1749
47°	2410	2495	2581	2694	2715	2742	1238	1338	1438	1648	1688	1738

HxG	wall mounted		stanchion mounted		total length C	height barrier (open) A	barrier distance B
	I	J	I*	J*			
800x650	850	973	940	1133	1145	1696	830
800x710	910	1033	1000	1193	1145	1742	830
800x760	960	1083	1050	1243	1145	1742	830
800x800	1000	1123	1090	1283	1145	1842	830
900x760	960	1083	1050	1243	1245	1802	830
900x800	1000	1123	1090	1283	1245	1842	830
1000x710	910	1033	1000	1193	1345	1742	950
1000x760	960	1083	1050	1243	1345	1742	950
1000x800	1000	1123	1090	1283	1345	1842	950
1000x900	1100	1223	1190	1383	1345	1842	950
1210x830	1030	1153	1120	1313	1555	1842	1160
1250x800	1000	1123	1090	1283	1595	1842	1200
1300x800	1000	1123	1090	1283	1645	1842	1200

