



HINGED & SLIDING SCREEN HARDWARE

LOCKS - CLOSERS - ROLLERS - HINGES - FLYSCREENS



DS2075 Hinged Barrier Door Lock



The DS2075 hinged barrier door lock is made from a zinc die cast body with stainless steel strikes providing the highest level of protection for hinged screen doors.

Features

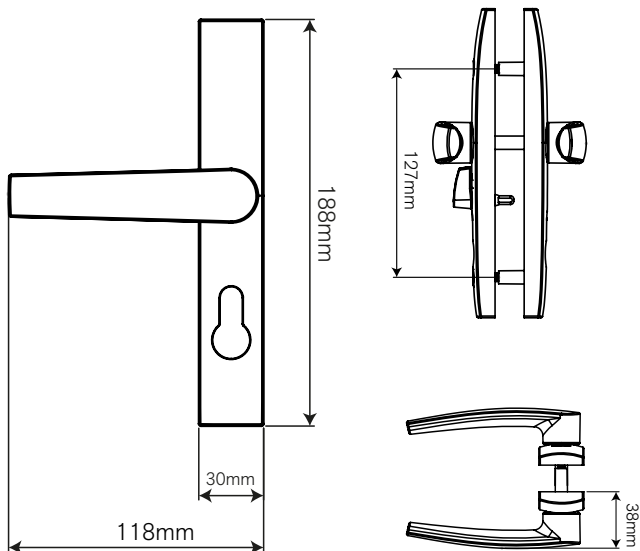
- Contemporary styled furniture
- Non handed furniture - suits left handed and right handed doors
- 3 point kits for additional security available
- Fits industry standard cut outs
- Zinc diecast lock mechanism and furniture
- Mortice lock inside snib
- Accepts Doric Euro profile lazy cam cylinder locks DS186, DS198, DS199, DS196
- Suit standard 20mm door thickness
- Tested & exceeds Australian & New Zealand AS4145 standard.

How to Order

How to order DS2075 Barrier Hinged Door Furniture

DS2075 / SB / DS186 / 96001

 Furniture Finish Cylinder Key No.



Technical Specifications

Materials:	Zinc diecast
Finishes Available:	Black, White, Primose Other colours available on request
Keying:	Doric Euro profile lazy cam cylinder locks DS186, DS198, DS199, DS196



DS2079 3 Point Kit

DS2079 3 Point Kit consists of 2 slaves, 2 rods & saddle.



DS2210 Sliding Screen Door Lock



The DS2210 sliding screen door lock features a parrot beak deadlock & inside snib & is self latching and can be key deadlocked from both sides.

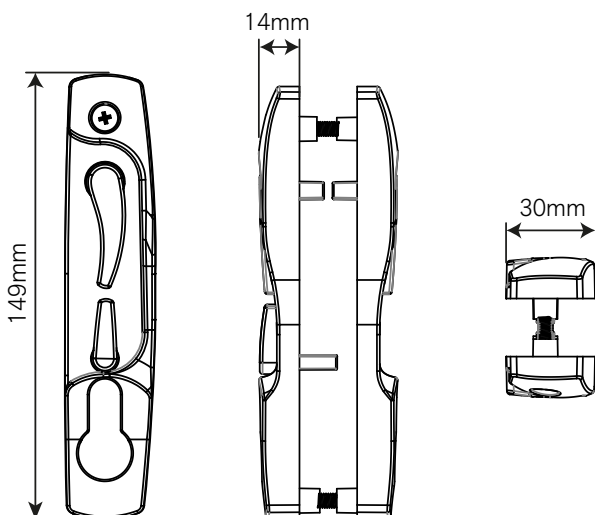
Features

- Suits either Left or Right hand closing sliding doors
- Parrot beak deadlock
- Key deadlock from both sides
- Self latching
- Inside snib
- Key overrides snib operation
- Accepts Doric Euro profile lazy cam cylinder locks
- Can only be key locked or snibbed when fully latched with striker
- Optional Multi Point kits available
- Zinc diecast furniture and locking mechanisms
- Tested & exceeds Australian & New Zealand AS4145 standard.

How to Order

How to order DS2210 Screen Hinged Door Furniture

DS2210 / SB / DS186 / 96001
⋮ ⋮ ⋮ ⋮
Furniture Finish Cylinder Key No.



Technical Specifications

Materials:	Zinc diecast
Finishes Available:	Black, White, Primrose Other colours available on request
Keying:	Doric Euro profile lazy cam cylinder locks DS186, DS198, DS199

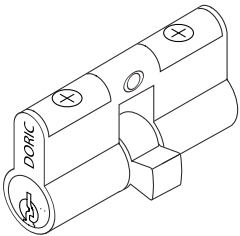


DS2269 3 Point Kit
DS2269 3 Point Kit consists of 2 slaves, 2 rods & accessories.

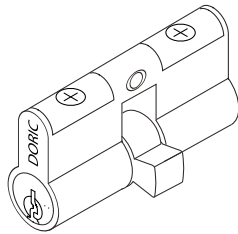


Security Accessories

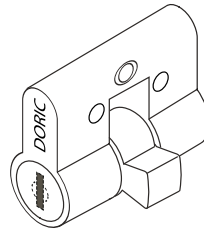
Cylinders



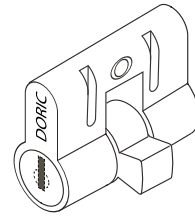
DS186
Euro 62mm
5 pin Cylinder



DS196
Euro 62mm
5 pin Cylinder



DS198
Euro 46mm
6 wafer Cylinder



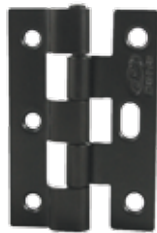
DS199
Euro 46mm
5 wafer Cylinder

Hinges



DH10 Step-over Security Door Hinge (with lug)

Powdercoat Colours Available



DH11 Step-over Security Door Hinge

Powdercoat Colours Available

Rollers



DR227/S Adjustable Security Door Carriage

-Spring Loaded



DR234/SL Security Door Carriage

-Spring Loaded

Roller	Standard
DR Code	DR6
Order Code	9002093
Weight Rating	20kg max load

Roller	Standard
DR Code	DR2
Order Code	9002110
Weight Rating	20kg max load

Door Closer



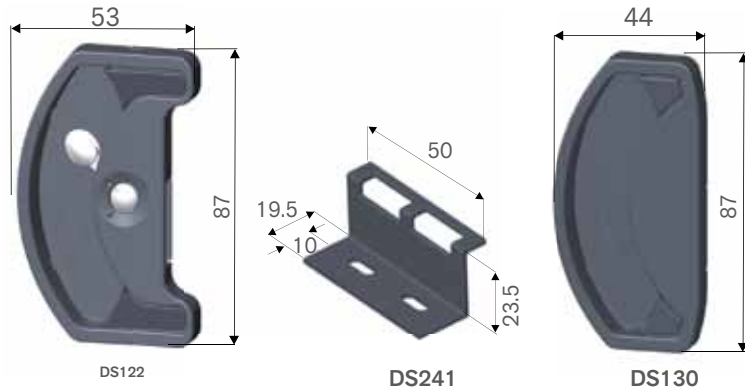
DC223 Pneumatic Swing Door Closer

- Speed Adjustable
- Available in Black, White & Primrose

Flyscreen Latchsets

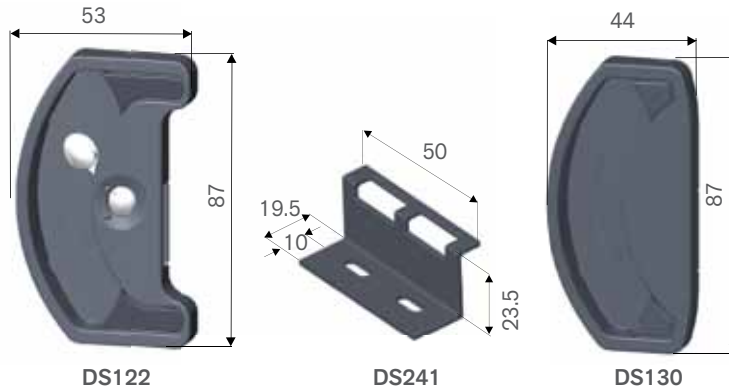
DS141/N

4 Lite Flydoor Latch Set
Order Code: 9038749



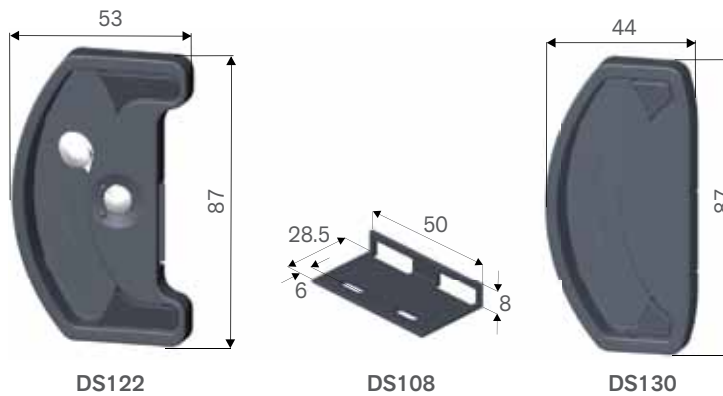
DS153/N

Flydoor Latch Set
Order Code: 9034368



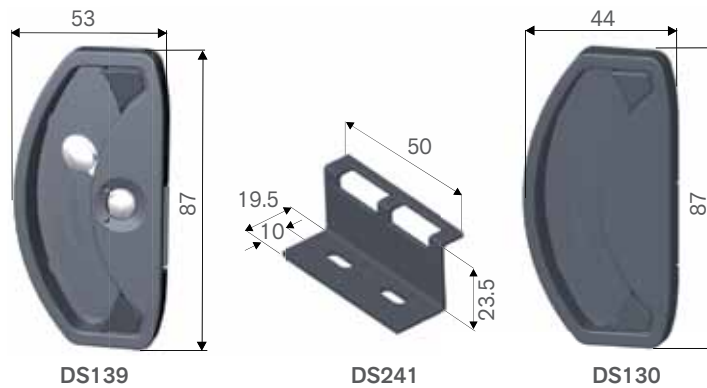
DS161/N

Flydoor Latch Set
Order Code: 9034369



DS171/N

Flydoor Latch Set
Order Code: 9034370



Doric is the largest privately owned hardware manufacturer in Australia supplying innovative and industry leading door and window hardware for Residential, Commercial, Timber, Security and Architectural applications.

If you need any type of hardware for windows and doors talk to us at Doric! We also can create customised product to give you a unique offering and competitive advantage in the market.

Melbourne

U1/34-36 Deans Crt,
Dandenong Sth, Vic 3175
Ph: 1300 132 389
Fax: 1300 652 292

Brisbane

U1/90 Pritchard Rd,
Virginia, QLD 4014
Ph: (07) 3865 7637
Fax: (07) 3865 7645

Perth

2 Meares Way
Canning Vale WA 6155
Ph: (08) 9248 4133
Fax: (08) 9248 4933

Adelaide

Unit 2 / 52 Wodonga St
Beverley SA 5009
Ph: 1300 132 389
Fax: 1300 652 292

Townsville

U1/42 Carmel St,
Garbutt, QLD 4814
Ph: (07) 4779 5122
Fax: (07) 4725 5495

Asia Pacific

7 Jalan Bulan U5 / 170
Bandar Pinggiran Subang,
40150 Shah Alam
Selangor, Malaysia
Ph : +60 3 7845 5017
Fax: +60 3 7845 5014

Auckland NZ

32/D William Pickering Dr
Albany North Shore
NZ 0751
Ph : +64 9 415 5535
Fax: +64 9 415 5545

HEAD OFFICE

160 Newton Rd,
Wetherill Park
NSW 2164
Ph: (02) 9609 2555
Fax: (02) 9604 2910

EMAIL CONTACTS

sales@doric.com.au

WEBSITE

www.doric.com.au

