

Doric is the largest privately owned hardware manufacturer in Australia supplying innovative and industry leading door and window hardware for Residential, Commercial, Timber, Security and Architectural applications.

If you need any type of hardware for windows and doors talk to us at Doric! We also can create customised product to give you a unique offering and competitive advantage in the market.

**Melbourne**

U1/34-36 Deans Crt,  
Dandenong Sth, Vic 3175  
Ph: (03) 9587 3195  
Fax: (03) 9587 3196

**Brisbane**

U1/90 Pritchard Rd,  
Virginia, QLD 4014  
Ph: (07) 3865 7637  
Fax: (07) 3865 7645

**Perth**

2 Meares Way  
Canning Vale WA 6155  
Ph: (08) 9248 4133  
Fax: (08) 9248 4933

**Adelaide**

Unit 2 / 52 Wodonga St  
Beverley SA 5009  
Ph: (08) 8443 3370  
Fax: (08) 8443 3066

**Newcastle**

2/100 Munibung Rd,  
Cardiff, NSW 2258  
Ph: (02) 4956 8508  
Fax: (02) 4956 8495

**Townsville**

U1/42 Carmel St,  
Garbutt, QLD 4814  
Ph: (07) 4779 5122  
Fax: (07) 4725 5495

**Auckland NZ**

32/D William Pickering Dr  
Albany North Shore  
NZ 0751  
Ph : +64 9 415 5535  
Fax: +64 9 415 5545

**Asia Pacific**

7 Jalan Bulan U5 / 170  
Bandar Pinggiran Subang,  
40150 Shah Alam  
Selangor, Malaysia  
Ph : +60 3 7845 5017  
Fax: +60 3 7845 5014

**HEAD OFFICE**

160 Newton Rd,  
Wetherill Park  
NSW 2164  
Ph: (02) 9609 2555  
Fax: (02) 9604 2910

**EMAIL CONTACTS**

[sales@doric.com.au](mailto:sales@doric.com.au)

**WEBSITE**

[www.doric.com.au](http://www.doric.com.au)



**Universal OEM Sliding Patio Locks**  
One Common Chassis Fits Multiple Handle Styles



# Universal OEM Sliding Patio Door Locks

Doric's range of Sliding Patio Door Locks, based on the proven Doric Universal OEM Chassis set an industry benchmark for aesthetic appeal, corrosion resistance and reliability.

Incorporating a common lock body, designs within this range use common fixings and industry standard machining details offering fabricators the option to stock and fit multiple styles using the same processes.

## Product Benefits

Sliding Patio Door Locks utilise the proven Doric OEM Universal Chassis System - one machining detail with multiple handle styles.

Latch and deadlock all in one standard model offering end users flexible security options.

Polesium™ and 316 Marine Grade Stainless Steel options offering high resistance to corrosion in aggressive environments such as sea front buildings.

All handles have symmetrical design. An important feature with four lite doors where locks meet and can be used for both left and right handed applications.

Utilise the Doric cartridge cylinder system which makes re-keying or changing cylinders quick and easy.

All locks form part of the Doric One Key™ solution and can be keyed alike to other window locks.

Meets AWA ICP002-720 hour corrosion resistant test.

Exposed easy action limited dexterity lever feature.

Suits Industry Standard 82mm door preparation.

## How to Order

DS910 / DS890 / DS5001 / Finish / Cylinder  
 Latch or Lock    External Handle    Keeper    PC    Pin or Disc

### Technical Specifications

<b>Materials:</b>	Polesium™, handle (Die cast zinc and stainless steel available on DS920 only). Chrome plated zinc lock chasis and zinc tongue.
<b>Finishes Available:</b>	Wide range of Powdercoat finishes available on Polesium™ handles. Plated finishes available on zinc handles.
<b>Cylinder:</b>	6 disc wafer cylinders as standard. One Key™ solutions compatible.



Layback  
Available in Zinc, Stainless Steel & Polesium™  
DS892 Keyed Polesium™  
DS893 Non-Keyed Polesium™  
DS890 Keyed Zinc  
DS891 Non-Keyed Zinc  
DS890/2 Keyed Stainless Steel  
DS891/2 Non-Keyed Stainless Steel



Morticed Pull  
Available in Polesium™  
DS888 Keyed Polesium™  
DS889 Non-Keyed Polesium™



Lower Profile Layback  
Available in Metacom™  
DS894 Keyed Metacom™  
DS895 Non-Keyed Metacom™



Springvale Plate  
Available in Metacom™ and Stainless Steel  
DS844 Keyed Metacom™  
DS845 Non-Keyed Metacom™  
DS844/2 Keyed Stainless Steel  
DS845/2 Non-Keyed Stainless Steel



Swinton Layback  
Available Metacom™  
DS896 Keyed Metacom™  
DS897 Non-Keyed Metacom™

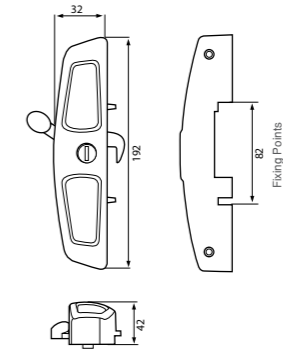


Curve  
Available in Polesium™  
DS840 Keyed Polesium™  
DS841 Non-Keyed Polesium™

## DS910 Eildon

Slimline design with no handle over glass

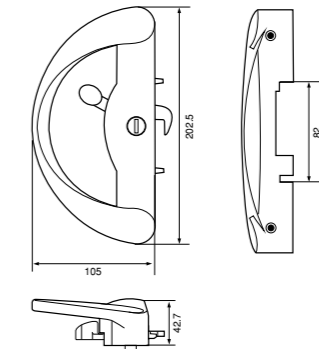
- DS910 Double Lock Set (Int. & Ext. cylinders)
- DS911 Latch Set (no cylinders)
- DS912 Lock Set (Ext. cylinder only)
- DS915 Lock Set (Int. cylinder only)
- DS918 Dummy Set (no cylinders)



## DS920 Waikato

Available in SS for excellent corrosion resistance, strength & durability

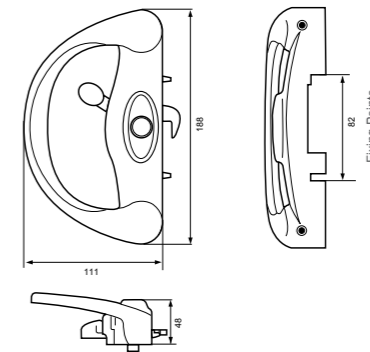
- DS920 Double Lock Set (Int & Ext. cylinders)
- DS921 Latch Set (no cylinders)
- DS922 Lock Set (Ext. cylinder only)
- DS925 Lock Set (Int. cylinder only)
- DS928 Dummy Set (no cylinders)



## DS930 Wilton

Polesium cover provides high level of corrosion resistance and durability

- DS930 Double Lock Set (Int. & Ext. cylinders)
- DS931 Latch Set (no cylinders)
- DS932 Lock Set (Ext. cylinder only)
- DS935 Lock Set (Int. cylinder only)
- DS938 Dummy Set (no cylinders)



## DS980 Murray

Glow in the dark cylinder indicator

- DS980 Double Lock Set (Int. & Ext. cylinders)
- DS981 Latch Set (no cylinders)
- DS982 Lock Set (Ext. cylinder only)
- DS985 Lock Set (Int. cylinder only)
- DS988 Dummy Set (no cylinders)

