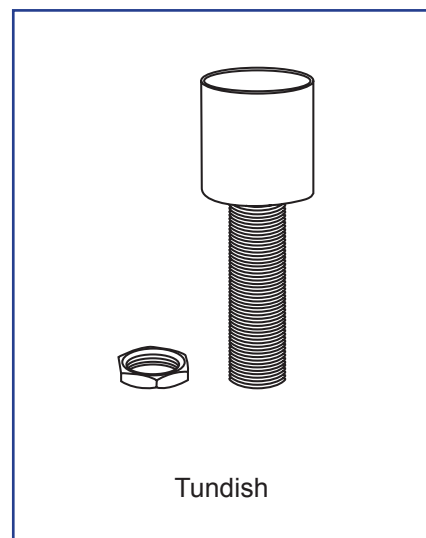
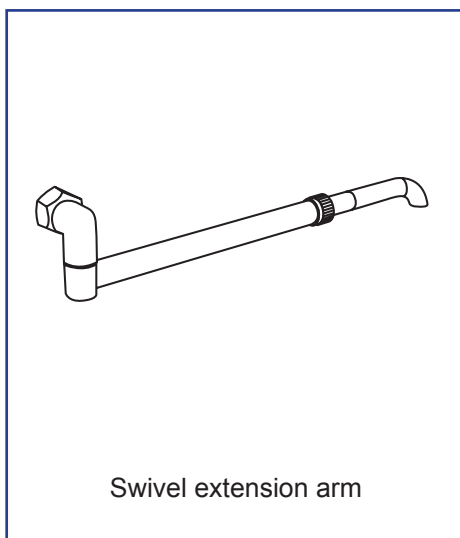
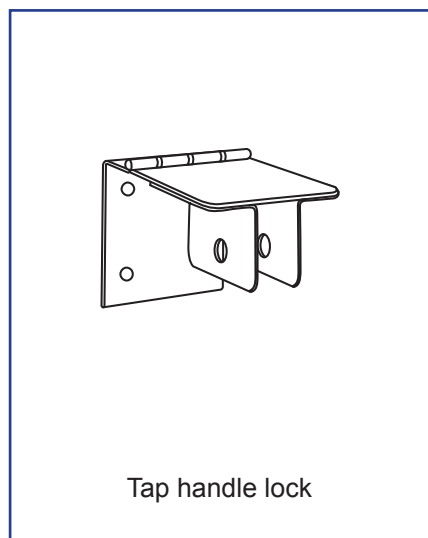
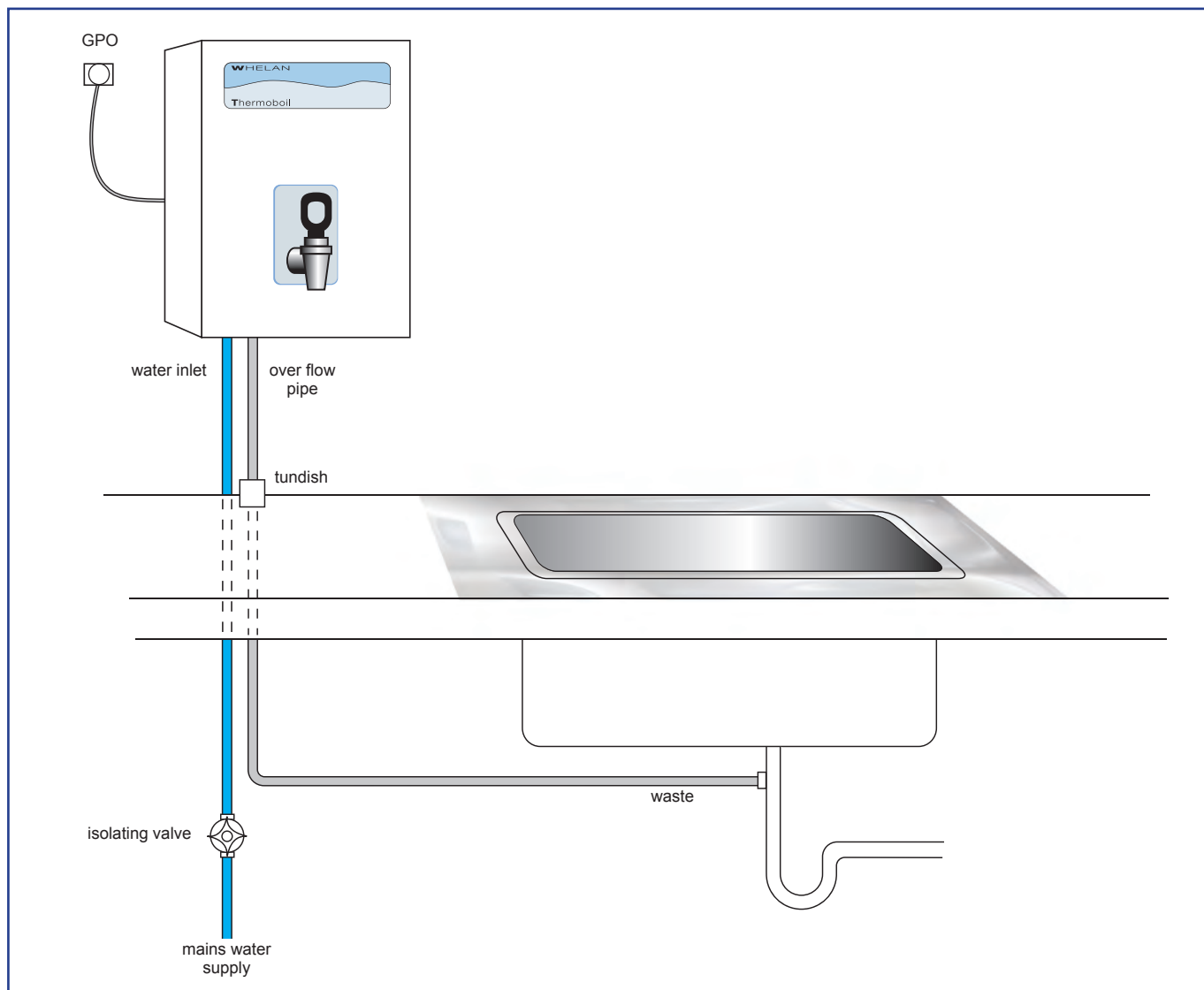


## Typical Installation - Econoboil, Thermoboil & Timerboil

Note. Electrical, water and overflow pipe are always on the left hand side of these models



### Optional Extras for all wall mounted models

- Additional outlet taps, swivel extension arms can be fitted to larger units if required to speed up the dispensing of boiling water or filling up of urns or
- Tap handle lock can be fitted to prevent unauthorised uses of boiling water.
- External filters can be fitted to the unit to improve the water quality if necessary.