



FRONT ACCESS ON-FLOOR WASH BASIN



RBA8881-100 Front Acces On-Floor Wash Basin

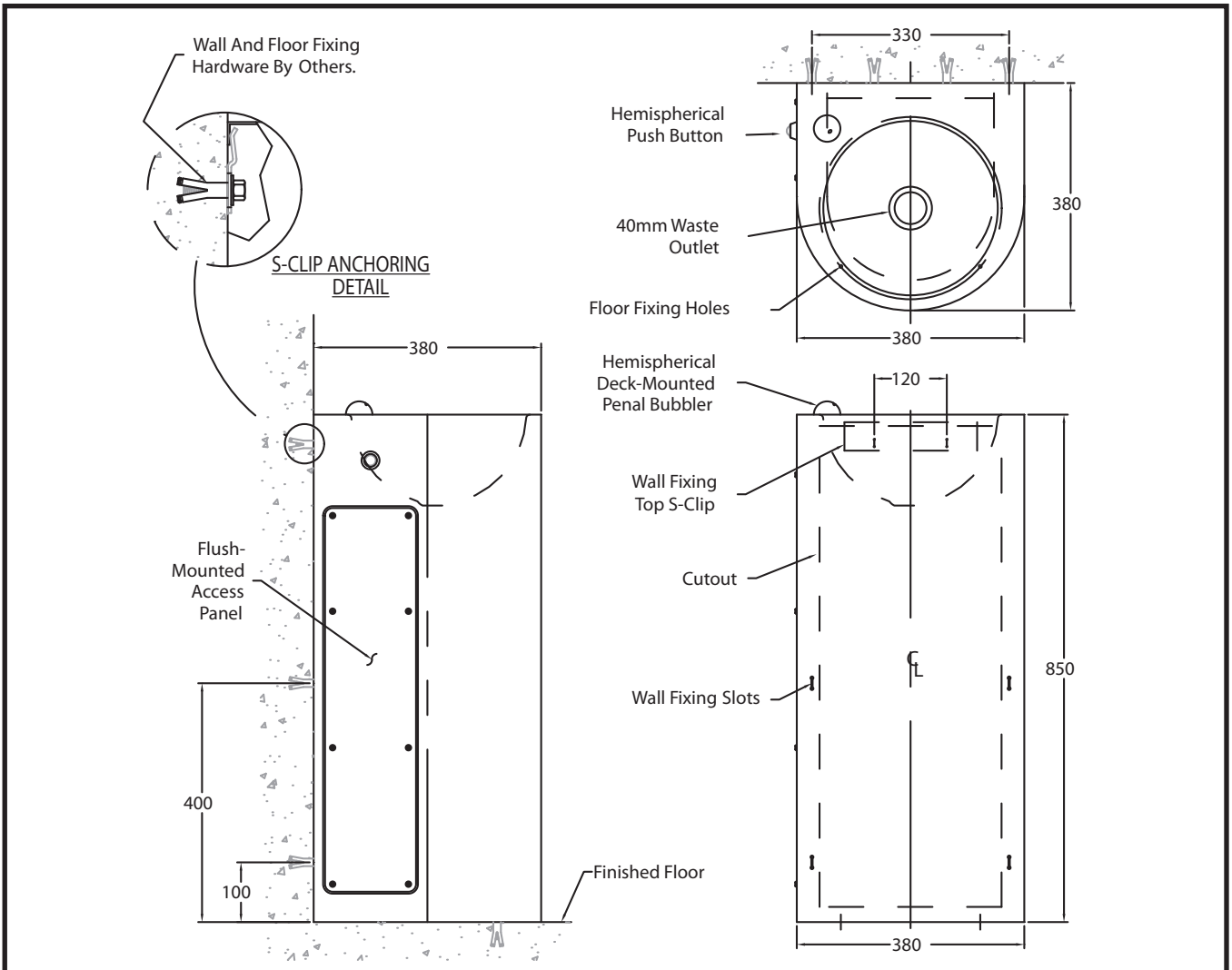
Description

Front access on-the-floor wash basin manufactured from 1.6mm type 304 stainless steel with exterior polished to a satin finish.

Installation

Unit is front mounted design with floor and wall anchoring points. Anchor and anchoring hardware by others. Unit includes deck-mounted hemispherical bubbler and side-mounted hemispherical push button for connection to single temperature metering valve wall-mounted inside cabinet. Unit has a removable flush-mounted stainless steel access panel. Panel is held in place with security screws.

Important: Installation instructions and current rough-in details should be furnished with each fixture. Do not rough in without certified dimensions. Dimensions are subject to manufacturer's tolerance of +/-10mm.



As improvements in the design and performance of RBA products are continuous, specifications may be subject to change without notice. The illustrations and descriptions herein are applicable to production as of the date of this Technical Data Sheet. Revised 07/11 Printed in Australia © 2011 by RBA Group TD/Model RBA8881-100/0711