



ProClad

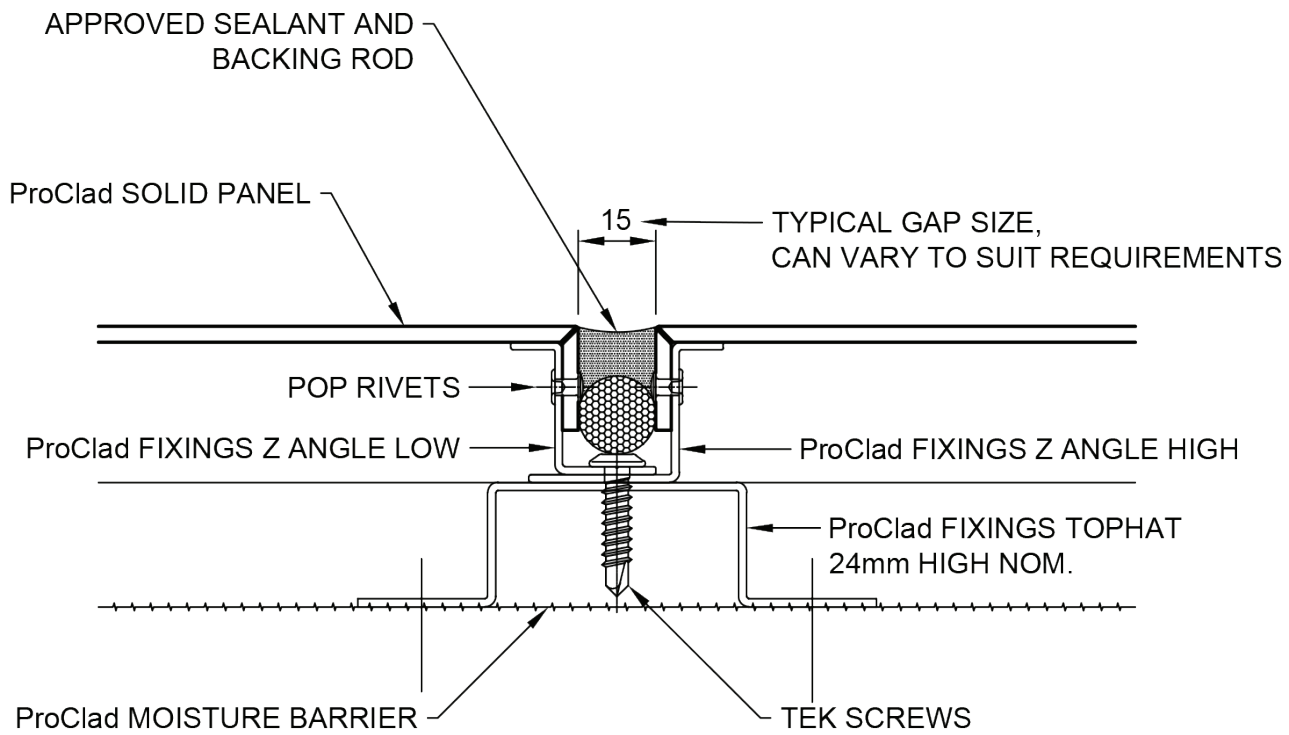
SOLID

ALUMINIUM



Installation Manual

Typical Panel Joint Detail



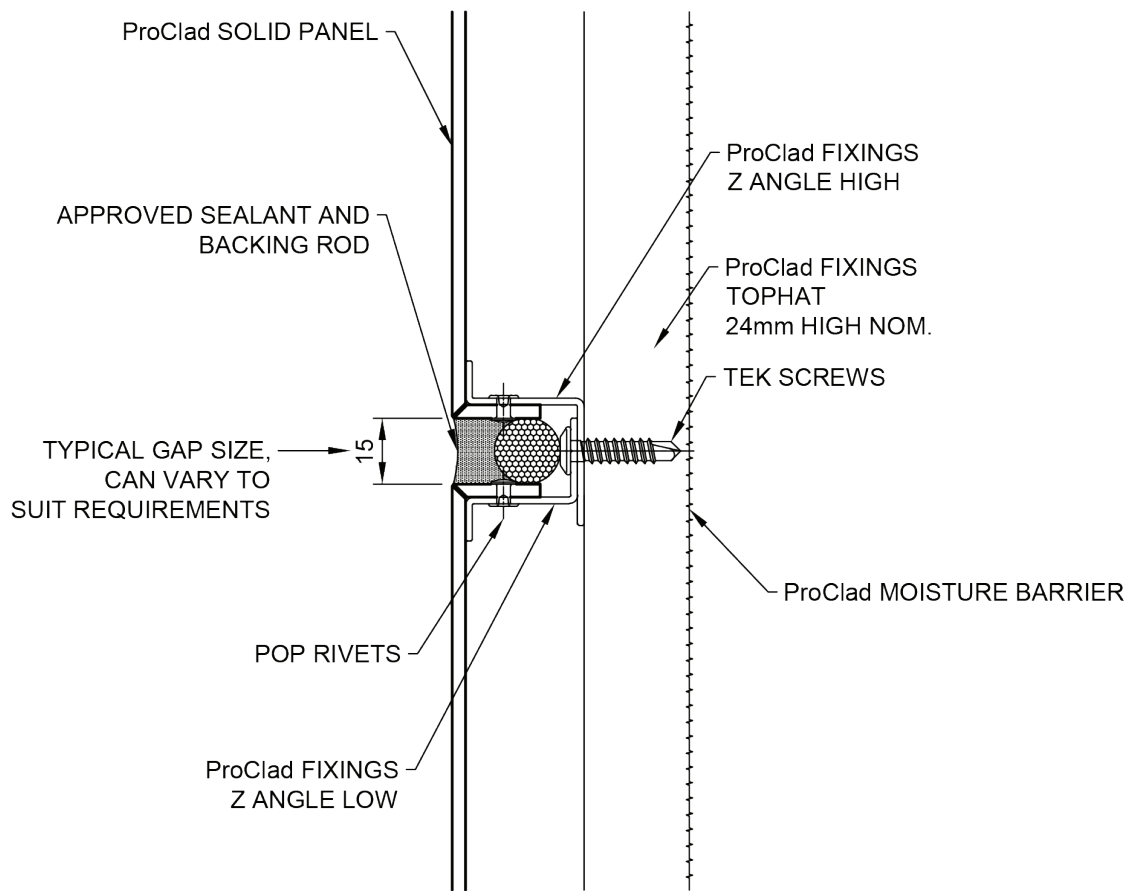
DISCLAIMER:

THESE DETAILS ARE LIMITED TO THE GENERALISED DESIGN SPECIFICATION FOR PROCLAD SOLID AND ARE INTENDED FOR USE BY A TECHNICALLY SKILLED PERSON ONLY. ANY USE OF THE SAME IS AT THEIR OWN DISCRETION AND RISK.



ALUMINIUM
FACADE
SYSTEMS
POWERED BY ALSPEC

Horizontal Joint Detail



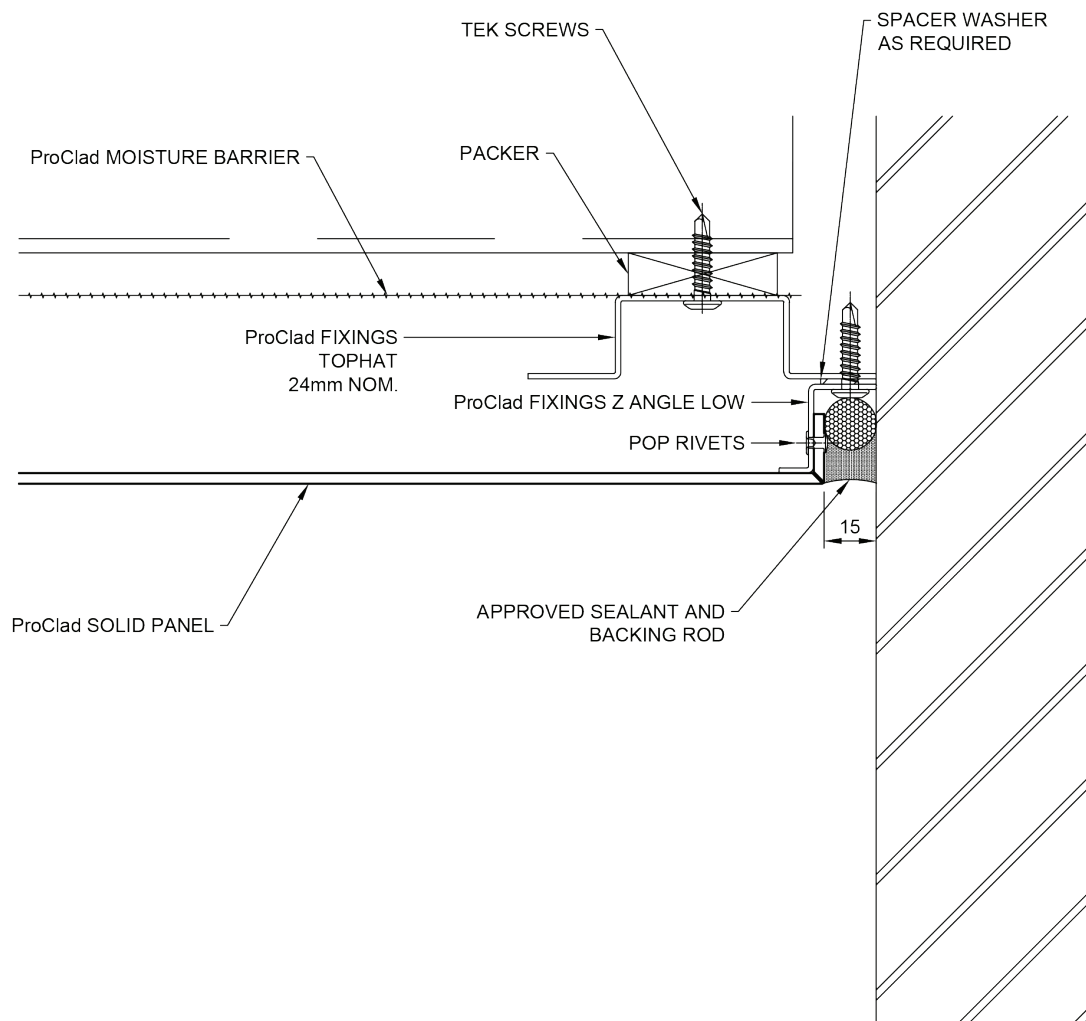
DISCLAIMER:

THESE DETAILS ARE LIMITED TO THE GENERALISED DESIGN SPECIFICATION FOR PROCLAD SOLID AND ARE INTENDED FOR USE BY A TECHNICALLY SKILLED PERSON ONLY. ANY USE OF THE SAME IS AT THEIR OWN DISCRETION AND RISK.



**ALUMINIUM
FACADE
SYSTEMS**
POWERED BY ALSPEC

Panel at Masonry Wall



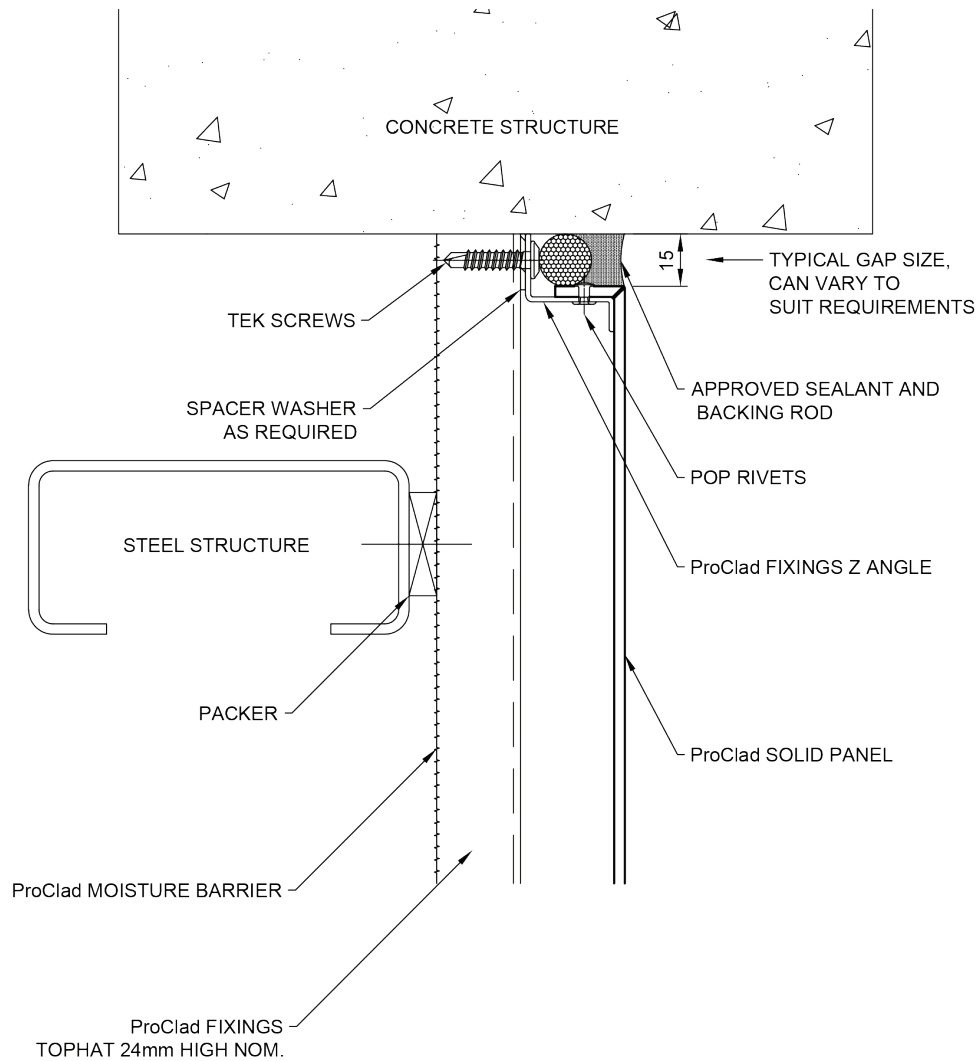
DISCLAIMER:

THESE DETAILS ARE LIMITED TO THE GENERALISED DESIGN SPECIFICATION FOR PROCLAD SOLID AND ARE INTENDED FOR USE BY A TECHNICALLY SKILLED PERSON ONLY. ANY USE OF THE SAME IS AT THEIR OWN DISCRETION AND RISK.



**ALUMINIUM
FACADE
SYSTEMS**
POWERED BY ALSPEC

Slab Junction Detail - Head



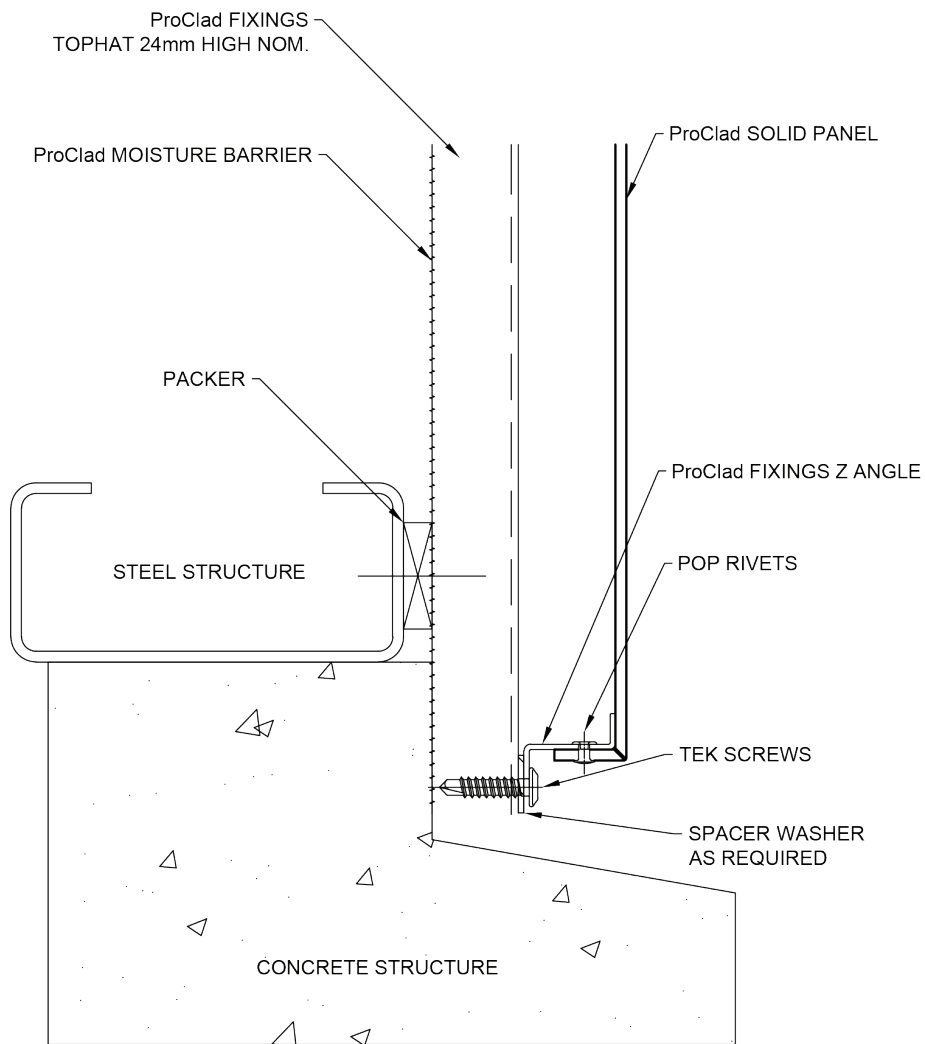
DISCLAIMER:

THESE DETAILS ARE LIMITED TO THE GENERALISED DESIGN SPECIFICATION FOR PROCLAD SOLID AND ARE INTENDED FOR USE BY A TECHNICALLY SKILLED PERSON ONLY. ANY USE OF THE SAME IS AT THEIR OWN DISCRETION AND RISK.



ALUMINIUM
FACADE
SYSTEMS
POWERED BY ALSPEC

Slab Junction Detail - Base



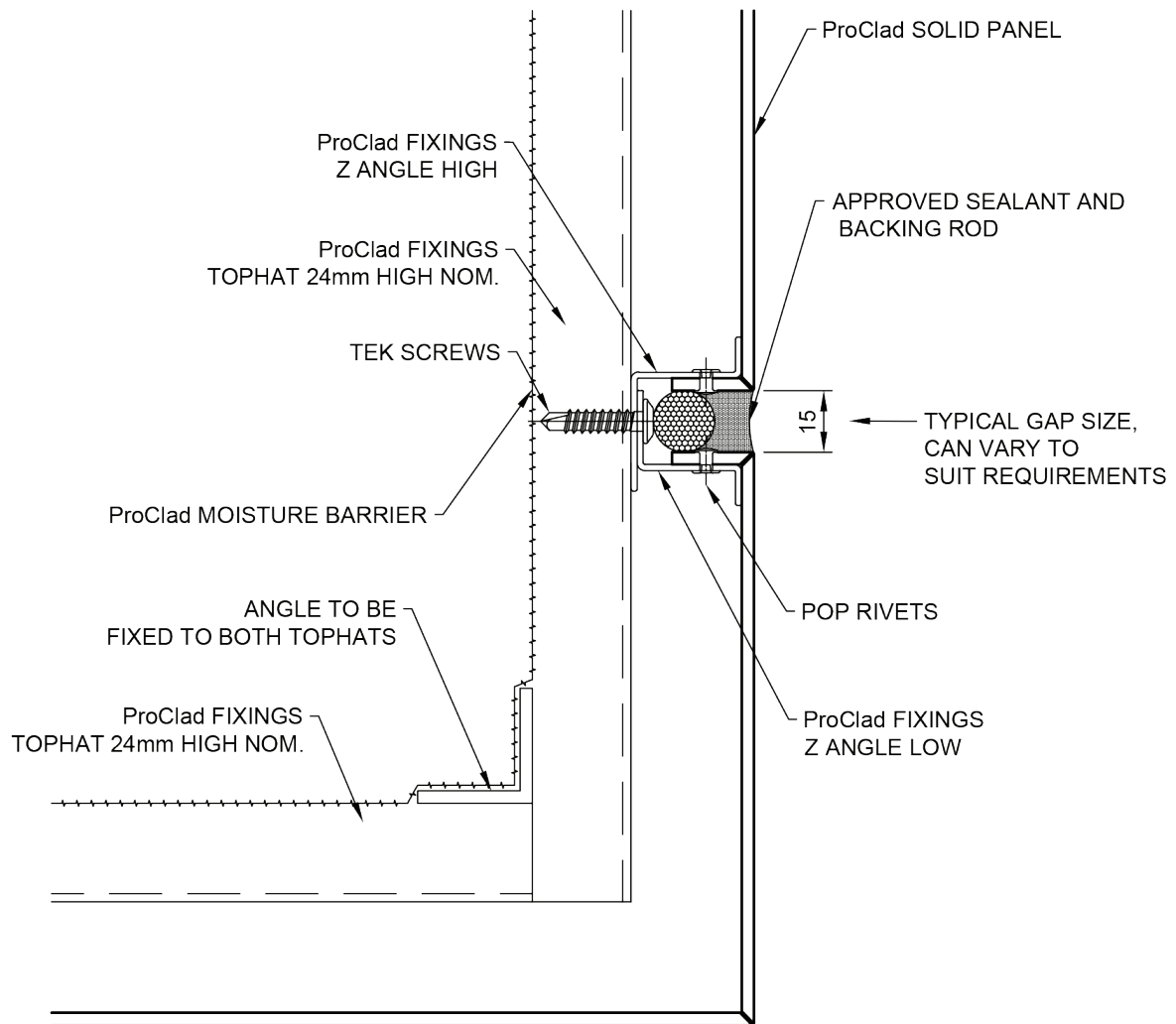
DISCLAIMER:

THESE DETAILS ARE LIMITED TO THE GENERALISED DESIGN SPECIFICATION FOR PROCLAD SOLID AND ARE INTENDED FOR USE BY A TECHNICALLY SKILLED PERSON ONLY. ANY USE OF THE SAME IS AT THEIR OWN DISCRETION AND RISK.



ALUMINIUM
FACADE
SYSTEMS
POWERED BY ALSPEC

Soffit Junction Detail



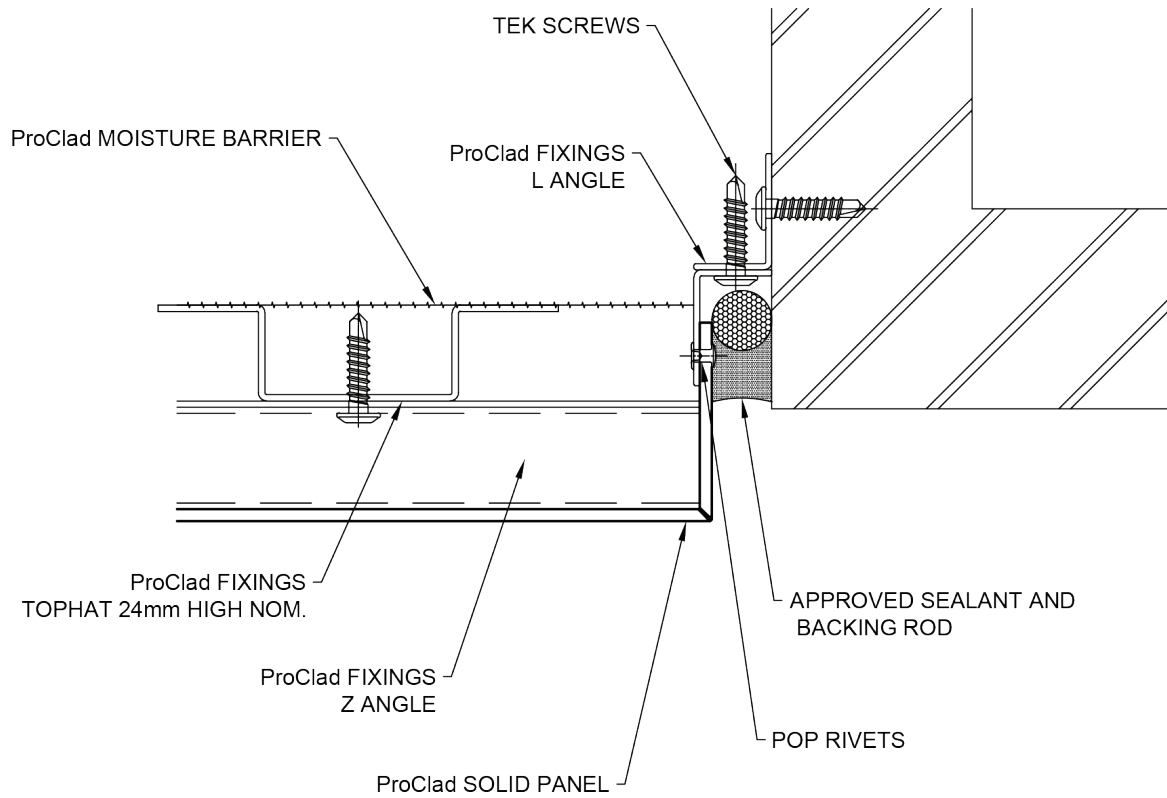
DISCLAIMER:

THESE DETAILS ARE LIMITED TO THE GENERALISED DESIGN SPECIFICATION FOR PROCLAD SOLID AND ARE INTENDED FOR USE BY A TECHNICALLY SKILLED PERSON ONLY. ANY USE OF THE SAME IS AT THEIR OWN DISCRETION AND RISK.



ALUMINIUM
FACADE
SYSTEMS
POWERED BY ALSPEC

Wall Abutment Detail



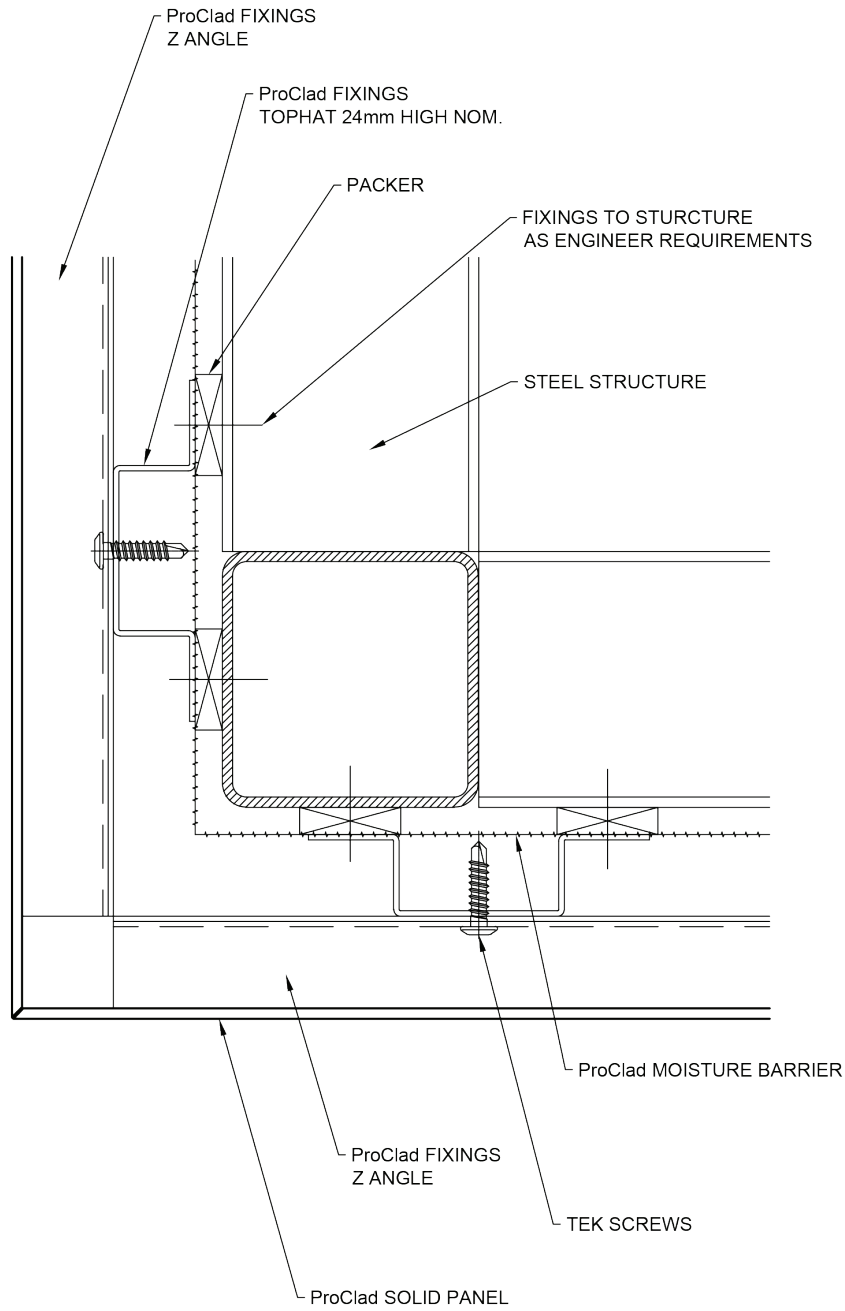
DISCLAIMER:

THESE DETAILS ARE LIMITED TO THE GENERALISED DESIGN SPECIFICATION FOR PROCLAD SOLID AND ARE INTENDED FOR USE BY A TECHNICALLY SKILLED PERSON ONLY. ANY USE OF THE SAME IS AT THEIR OWN DISCRETION AND RISK.



ALUMINIUM
FACADE
SYSTEMS
POWERED BY ALSPEC

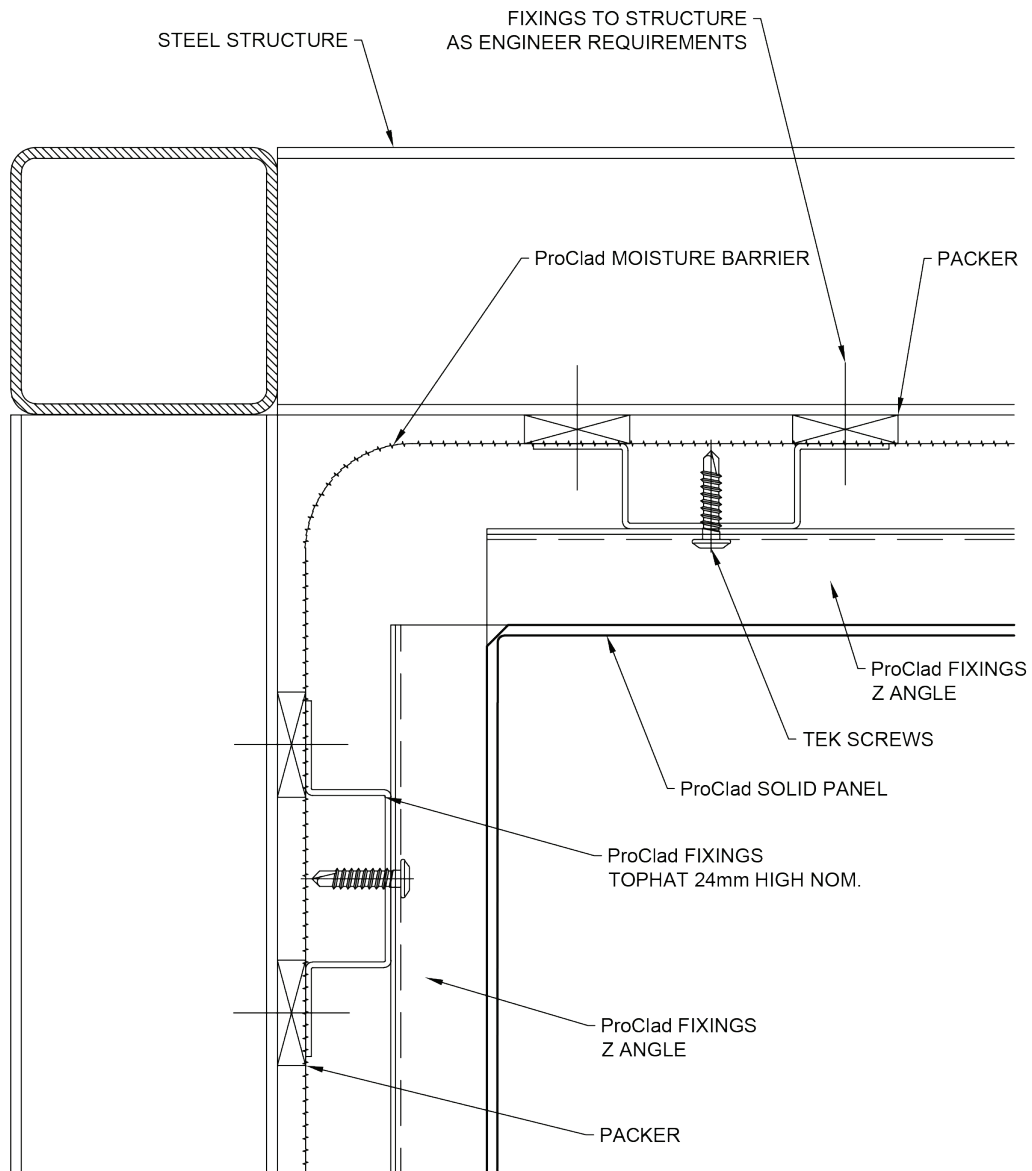
External Corner Detail



DISCLAIMER:
THESE DETAILS ARE LIMITED TO THE GENERALISED DESIGN SPECIFICATION FOR PROCLAD SOLID AND ARE INTENDED FOR USE BY A TECHNICALLY SKILLED PERSON ONLY. ANY USE OF THE SAME IS AT THEIR OWN DISCRETION AND RISK.



Internal Corner Detail

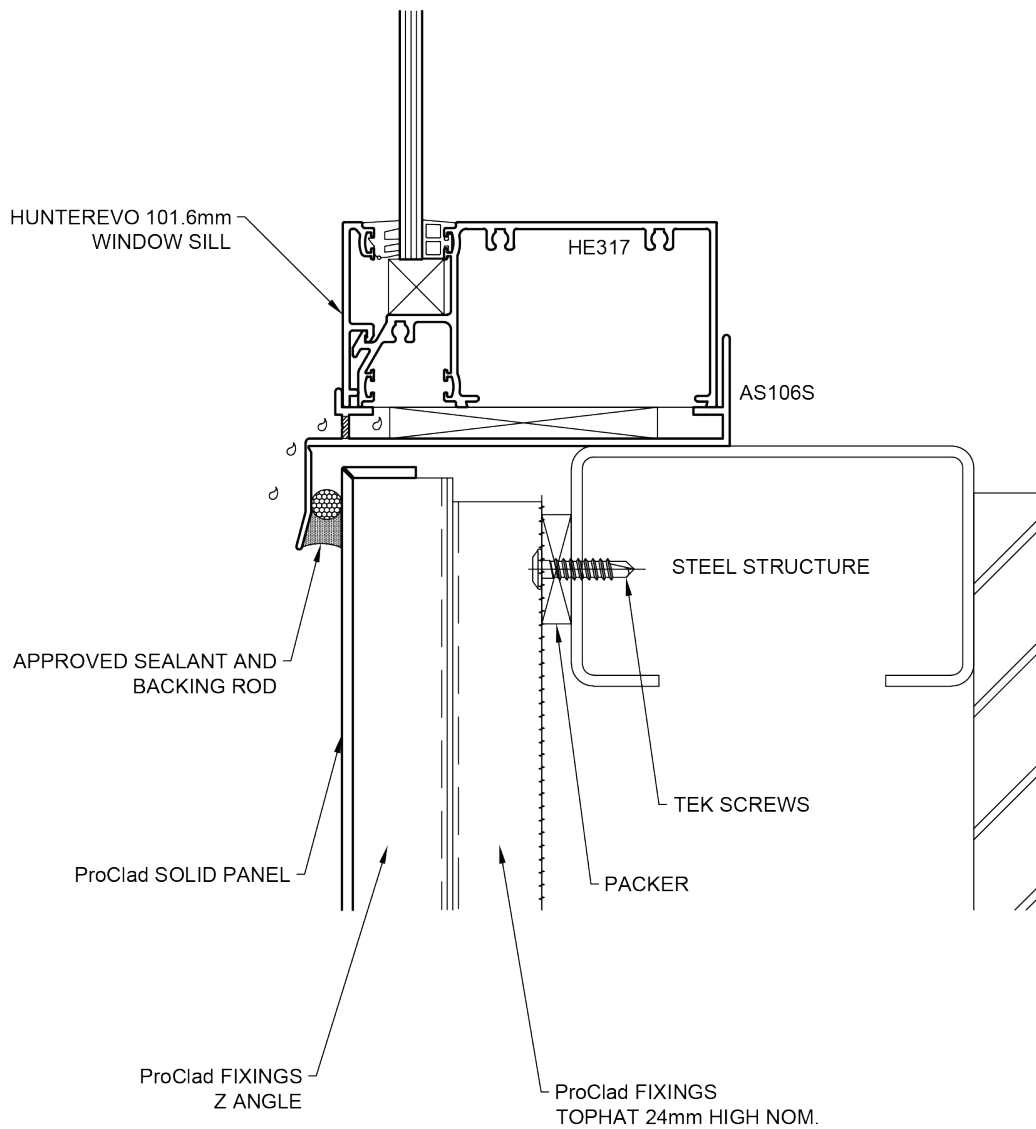


DISCLAIMER:

THESE DETAILS ARE LIMITED TO THE GENERALISED DESIGN SPECIFICATION FOR PROCLAD SOLID AND ARE INTENDED FOR USE BY A TECHNICALLY SKILLED PERSON ONLY. ANY USE OF THE SAME IS AT THEIR OWN DISCRETION AND RISK.



Window Sill Detail



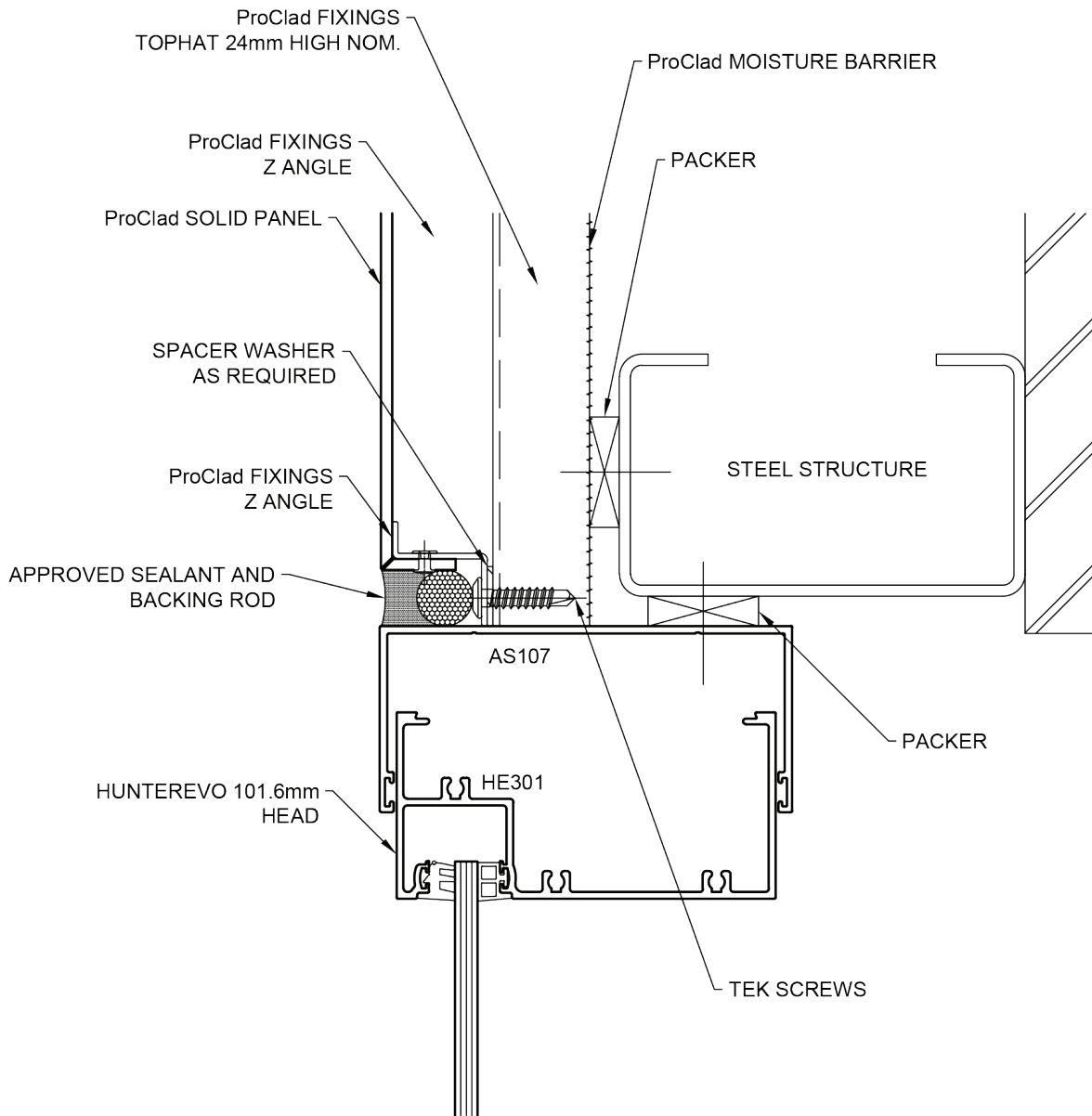
DISCLAIMER:

THESE DETAILS ARE LIMITED TO THE GENERALISED DESIGN SPECIFICATION FOR PROCLAD SOLID AND ARE INTENDED FOR USE BY A TECHNICALLY SKILLED PERSON ONLY. ANY USE OF THE SAME IS AT THEIR OWN DISCRETION AND RISK.



ALUMINIUM
FACADE
SYSTEMS
POWERED BY ALSPEC

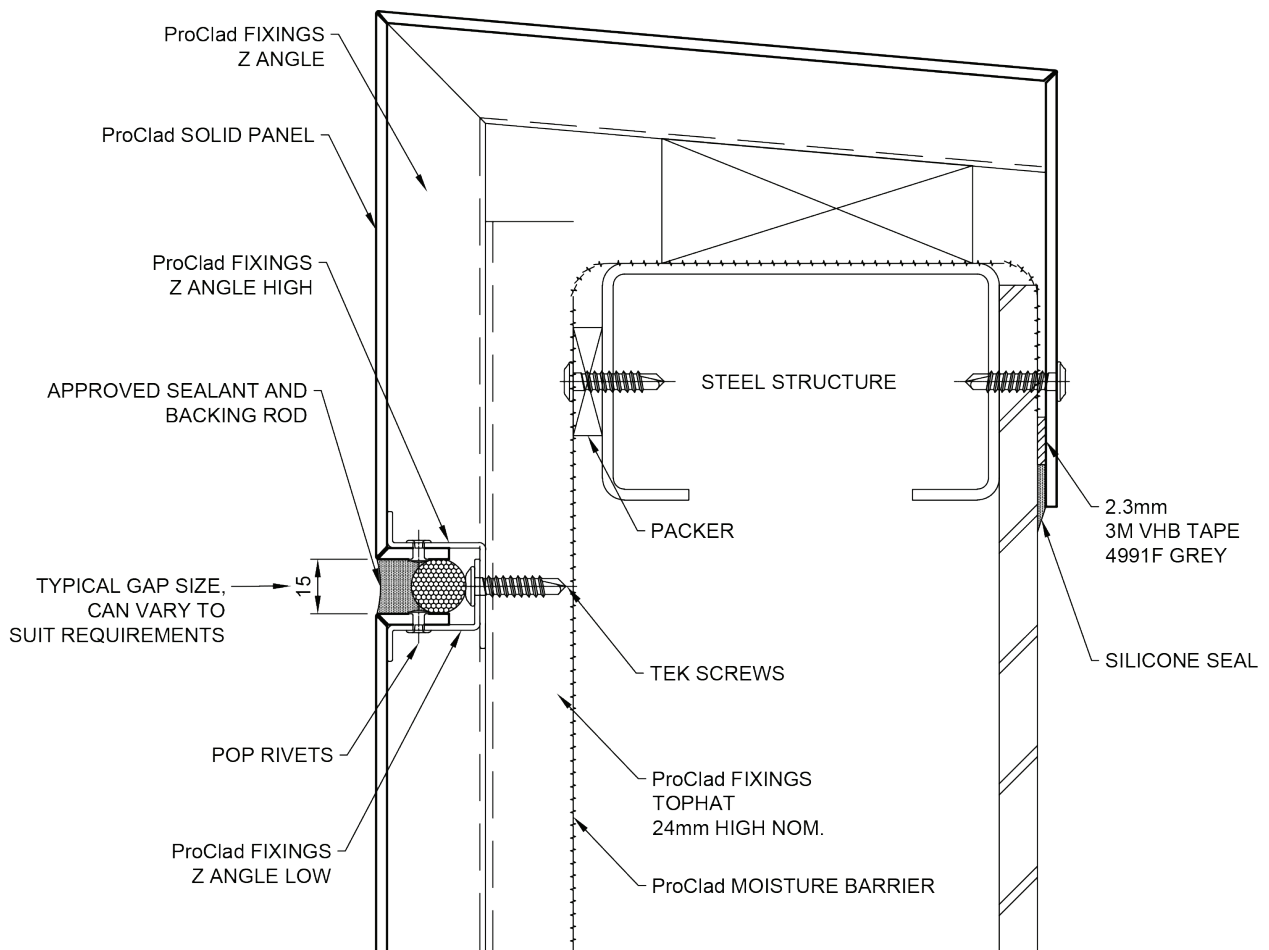
Window Sill Detail - External Corner



DISCLAIMER:
THESE DETAILS ARE LIMITED TO THE GENERALISED DESIGN SPECIFICATION FOR PROCLAD SOLID AND ARE INTENDED FOR USE BY A TECHNICALLY SKILLED PERSON ONLY. ANY USE OF THE SAME IS AT THEIR OWN DISCRETION AND RISK.



Parapet Capping Detail



DISCLAIMER:

THESE DETAILS ARE LIMITED TO THE GENERALISED DESIGN SPECIFICATION FOR PROCLAD SOLID AND ARE INTENDED FOR USE BY A TECHNICALLY SKILLED PERSON ONLY. ANY USE OF THE SAME IS AT THEIR OWN DISCRETION AND RISK.



ALUMINIUM
FACADE
SYSTEMS
POWERED BY ALSPEC



**ALUMINIUM
FACADE
SYSTEMS**
POWERED BY ALSPEC

3 Alspec Place, Eastern Creek NSW 2766
PO Box 262, Horsley Park NSW 2175
Phone: 02 9834 9500 | Sales: 1300 ALSPEC
Fax: 02 9834 9532 | ABN: 63 001 252 259

aluminiumfacadesystems.com.au