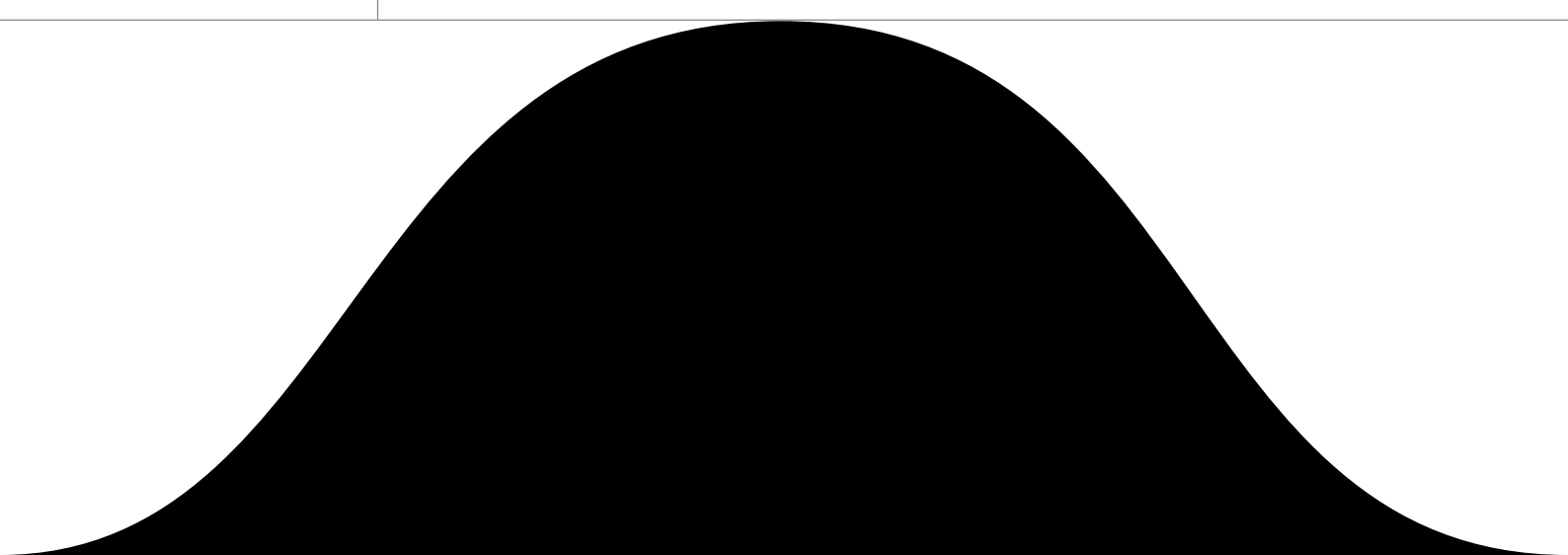


CONTOURS OF COUNTRY INSTALLATION GUIDELINES



CONTENTS

PRE INSTALLATION	3
FACE FIXING	
3D	5
2D	6
DSB FIXING	
3D	7
2D	8
BJ2 FIXING	
3D	9
2D	10
BLIND HOLE	
3D	11
2D	12
GET IN TOUCH	13

PRE INSTALLATION

ACCLIMATISATION

Panels need to acclimatise to the environment before installation. Please contact your local Decor Systems representative for more information.

DECOR SYSTEMS CARE & MAINTENANCE

INTRODUCTION

This panels system is a highly durable modular wall and ceiling panelling system that is factory finished. Substrates include MDF, plywood and fibre cement.

CARE AND MAINTENANCE

General Regular Cleaning

This is best carried out with a sponge or soft cloth and any household cleaning detergents. Abrasive cleaning agents must not be used.

Polishing

The product is suitable for polishing with a soft cloth if required.

Graffiti Removal

Pressure pack (ie. Paint) damage is usually easily removed by wiping with mineral turpentine saturated rag within 48 hours of application.

Felt tipped marker damage should be removed using methylated spirits- again, within 48 hours.

Mechanical Damage

Should the panels be physically scored, chipped or scraped in any way please consult Decor Systems for the best method of repair/replacement.

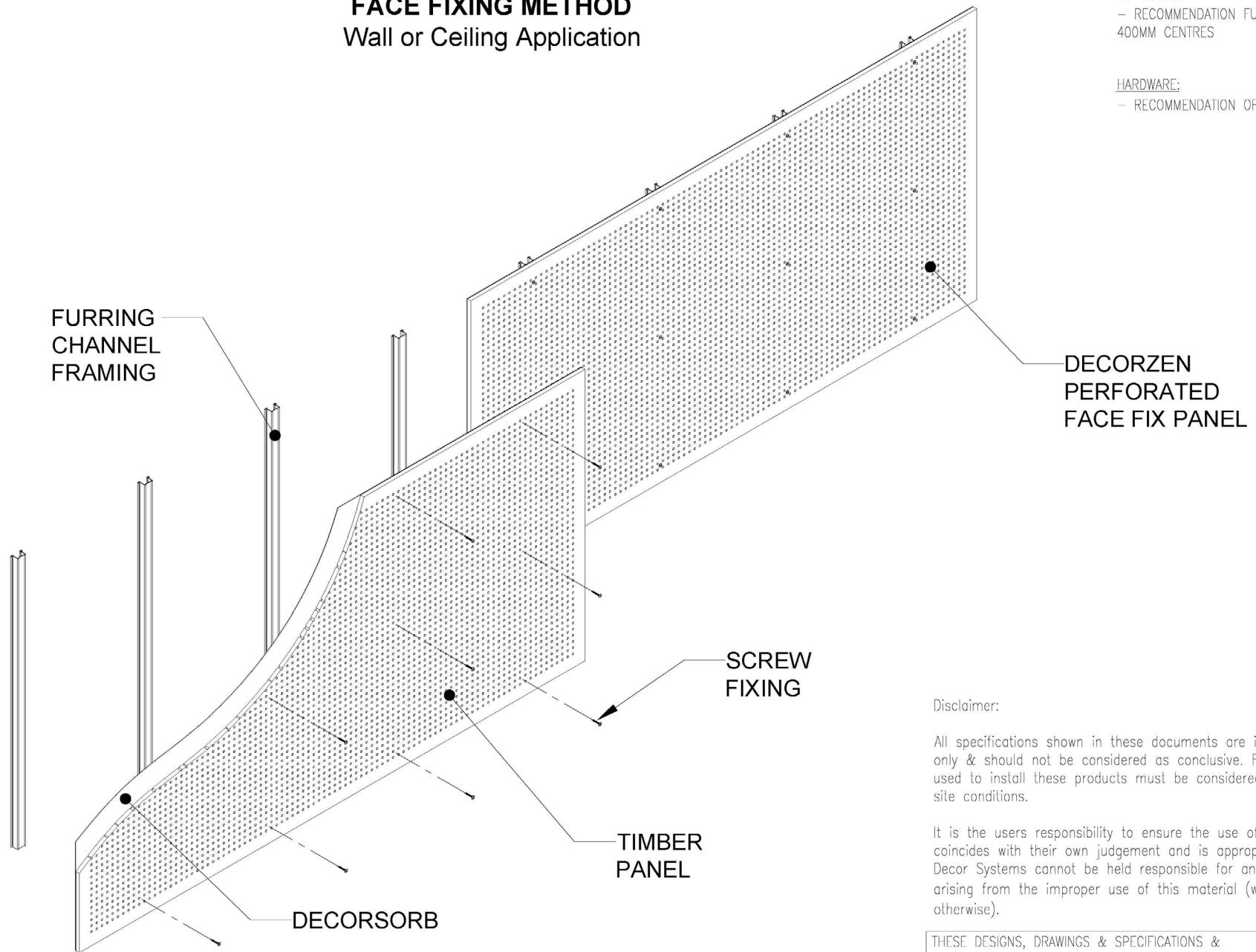
Scratch damage can usually be repaired simply by the application of the topcoat colour (available from the manufacturer) using a fine camel hairbrush.

DISCLAIMER: ANY ADVICE, RECOMMENDATIONS, INFORMATION, ASSISTANCE OR SERVICE PROVIDED BY DECOR SYSTEMS IN RELATION TO GOODS MANUFACTURED BY IT OR THEIR USE AND APPLICATION IS GIVEN IN GOOD FAITH AND BELIEVED BY DECOR SYSTEMS TO BE APPROPRIATE AND RELIABLE. SINCE THE USE AND APPLICATION OF THIS PRODUCT IS BEYOND OUR CONTROL WE CANNOT BE HELD RESPONSIBLE FOR PRODUCT FIELD PERFORMANCE. THE INFORMATION PRESENTED ABOVE IS THE RESULT OF OUR CONSIDERABLE EXPERIENCE WITH THIS PRODUCT BUT IS NOT TO BE CONSTRUED AS A PERFORMANCE WARRANTY

DECORZEN INSTALLATION DETAIL
FACE FIXING METHOD
Wall or Ceiling Application

- FRAMING:
- WALL AND CEILING FURRING CHANNEL FRAMING BY OTHERS
 - RECOMMENDATION FURRING CHANNELS AT 400MM CENTRES

- HARDWARE:
- RECOMMENDATION OF 600MM CENTRES



Disclaimer:

All specifications shown in these documents are intended as a guide only & should not be considered as conclusive. Fixing types & sizes used to install these products must be considered in conjunction with site conditions.

It is the users responsibility to ensure the use of this document coincides with their own judgement and is appropriate for the application. Decor Systems cannot be held responsible for any consequences arising from the improper use of this material (whether negligence or otherwise).

THESE DESIGNS, DRAWINGS & SPECIFICATIONS & COPYRIGHT THEREOF ARE THE PROPERTY OF DECOR SYSTEMS AUSTRALIA & MUST NOT BE USED, RETAINED OR COPIED WITHOUT THE WRITTEN AUTHORITY OF DECOR SYSTEMS AUSTRALIA.

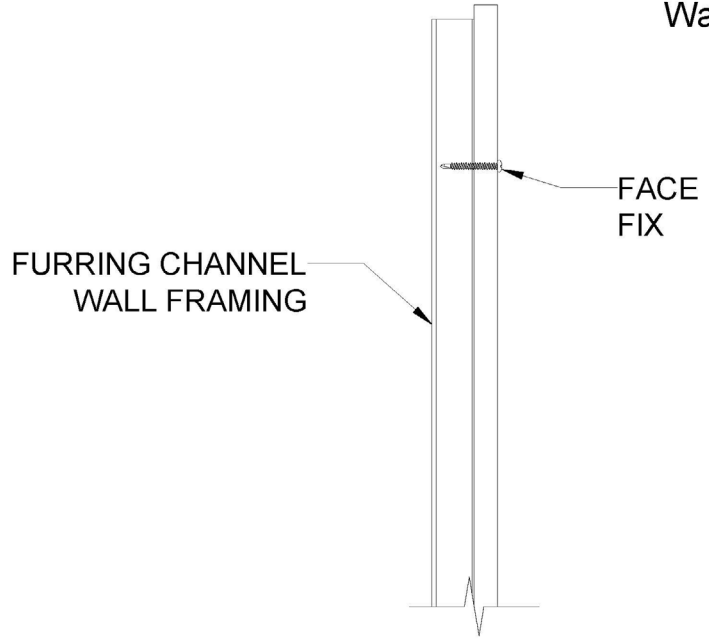


FACE FIXING 3D

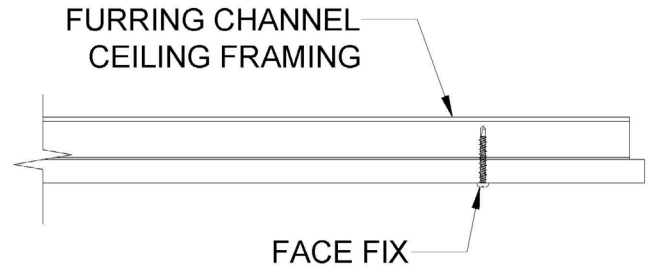
DECORZEN INSTALLATION DETAIL
FACE FIXING METHOD
 Wall or Ceiling Application

FRAMING:
 - WALL AND CEILING FURRING CHANNEL FRAMING BY OTHERS
 - RECOMMENDATION FURRING CHANNELS AT 400MM CENTRES

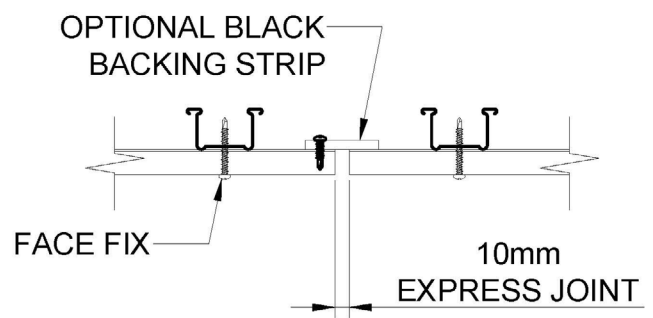
HARDWARE:
 - RECOMMENDATION OF 600MM CENTRES



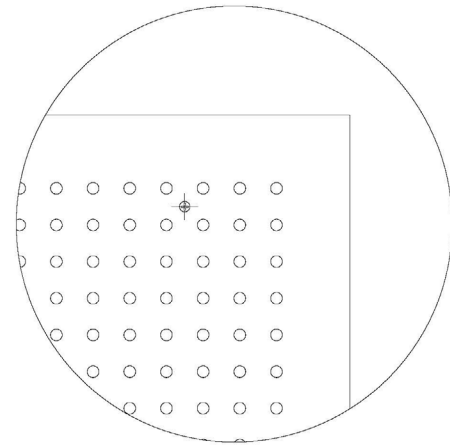
SCREW FIX TO WALL FRAMING



SCREW FIX TO CEILING FRAMING



END TO END EXPRESS JOINT



SCREW FIX FACE VIEW

Disclaimer:

All specifications shown in these documents are intended as a guide only & should not be considered as conclusive. Fixing types & sizes used to install these products must be considered in conjunction with site conditions.

It is the users responsibility to ensure the use of this document coincides with their own judgement and is appropriate for the application. Decor Systems cannot be held responsible for any consequences arising from the improper use of this material (whether negligence or otherwise).

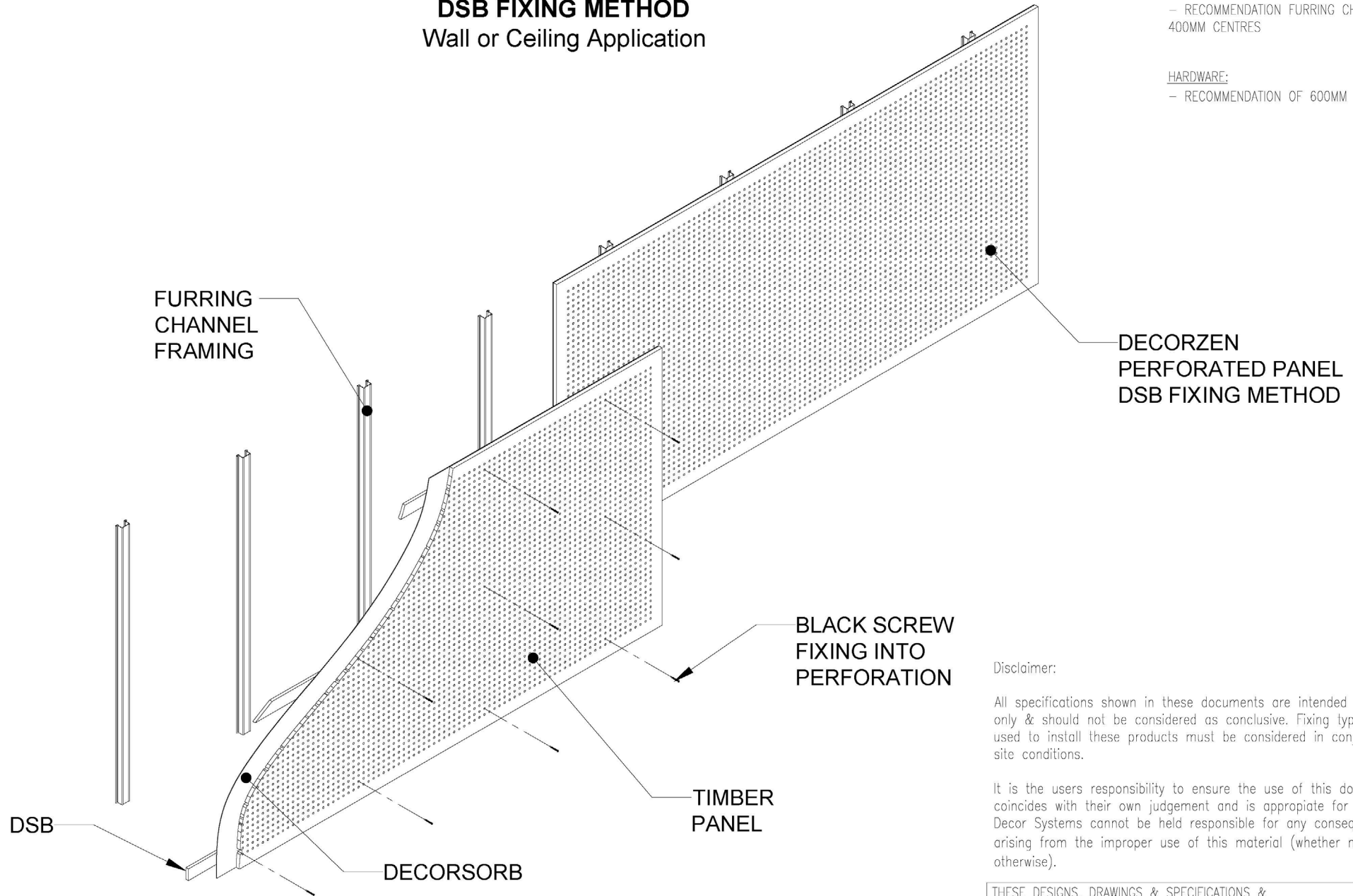
THESE DESIGNS, DRAWINGS & SPECIFICATIONS & COPYRIGHT THEREOF ARE THE PROPERTY OF DECOR SYSTEMS AUSTRALIA & MUST NOT BE USED, RETAINED OR COPIED WITHOUT THE WRITTEN AUTHORITY OF DECOR SYSTEMS AUSTRALIA.



FACE FIXING 2D

DECORZEN INSTALLATION DETAIL
DSB FIXING METHOD
 Wall or Ceiling Application

- FRAMING:**
- WALL AND CEILING FURRING CHANNEL FRAMING BY OTHERS
 - RECOMMENDATION FURRING CHANNELS AT 400MM CENTRES
- HARDWARE:**
- RECOMMENDATION OF 600MM CENTRES



Disclaimer:

All specifications shown in these documents are intended as a guide only & should not be considered as conclusive. Fixing types & sizes used to install these products must be considered in conjunction with site conditions.

It is the users responsibility to ensure the use of this document coincides with their own judgement and is appropriate for the application. Decor Systems cannot be held responsible for any consequences arising from the improper use of this material (whether negligence or otherwise).

THESE DESIGNS, DRAWINGS & SPECIFICATIONS & COPYRIGHT THEREOF ARE THE PROPERTY OF DECOR SYSTEMS AUSTRALIA & MUST NOT BE USED, RETAINED OR COPIED WITHOUT THE WRITTEN AUTHORITY OF DECOR SYSTEMS AUSTRALIA.

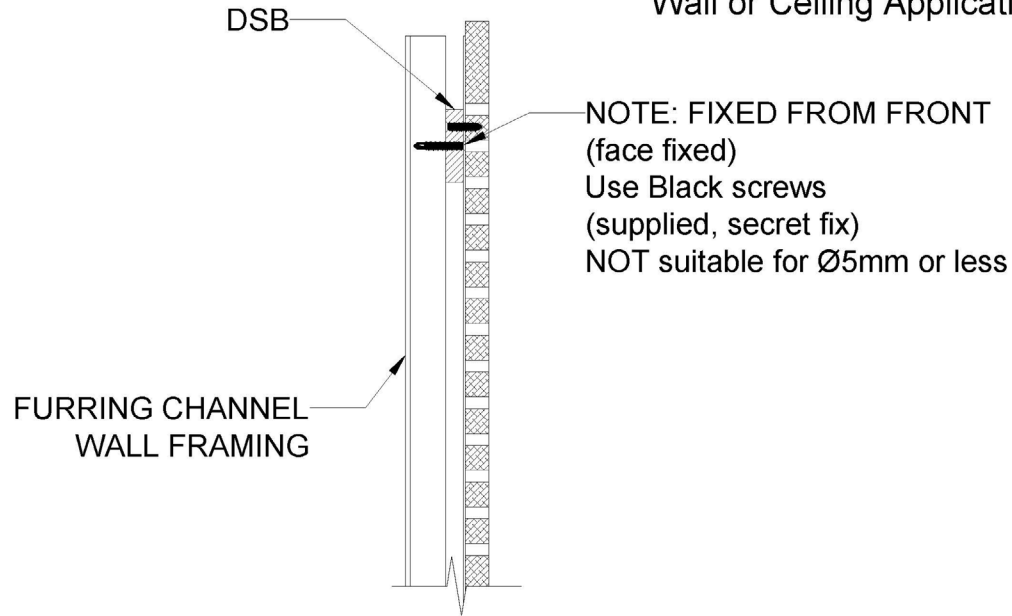


DSB FIXING 3D

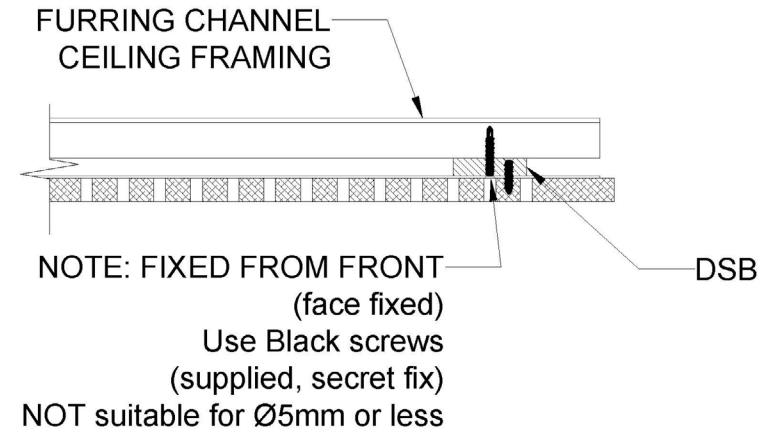
DECORZEN INSTALLATION DETAIL
DSB FIXING METHOD
 Wall or Ceiling Application

FRAMING:
 - WALL AND CEILING FURRING CHANNEL FRAMING BY OTHERS
 - RECOMMENDATION FURRING CHANNELS AT 400MM CENTRES

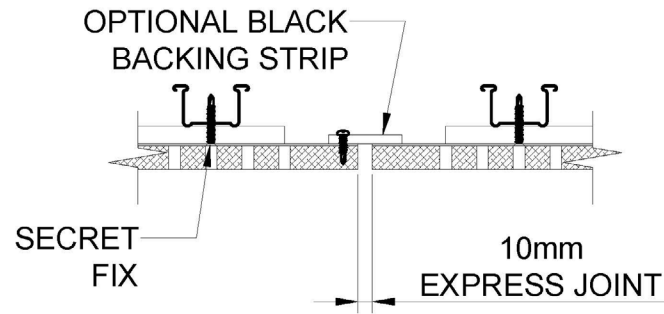
HARDWARE:
 - RECOMMENDATION OF 600MM CENTRES



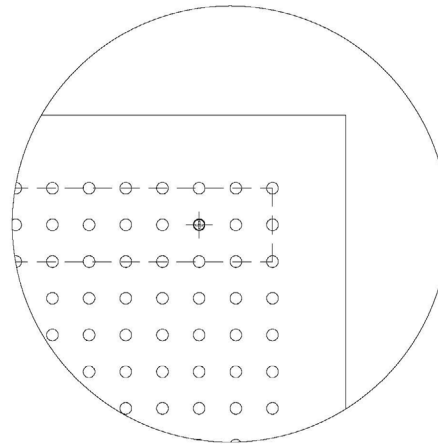
SECRET SCREW FIX TO WALL FRAMING



SECRET SCREW FIX TO CEILING FRAMING



END TO END EXPRESS JOINT



SECRET SCREW FIX FACE VIEW

Disclaimer:

All specifications shown in these documents are intended as a guide only & should not be considered as conclusive. Fixing types & sizes used to install these products must be considered in conjunction with site conditions.

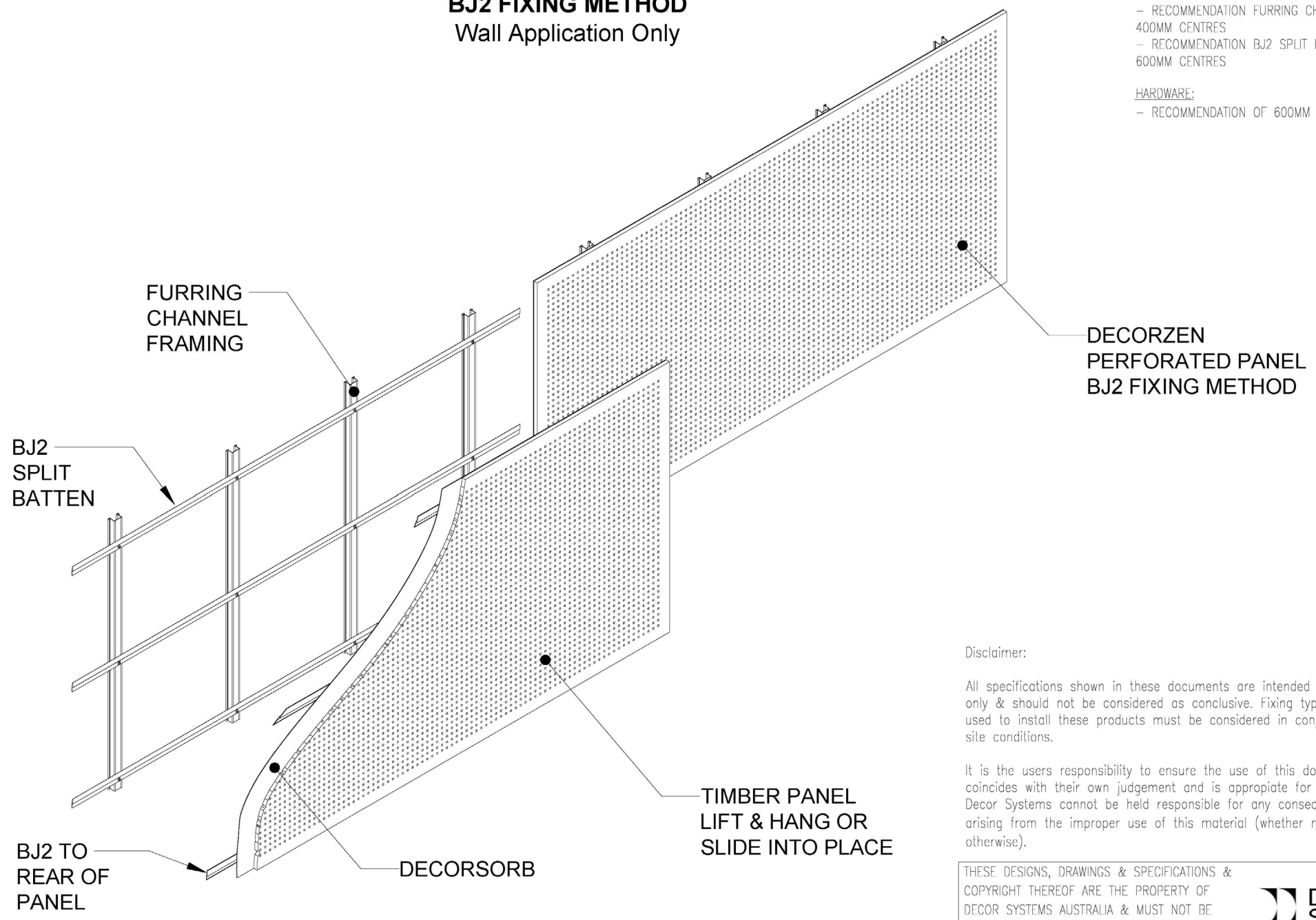
It is the users responsibility to ensure the use of this document coincides with their own judgement and is appropriate for the application. Decor Systems cannot be held responsible for any consequences arising from the improper use of this material (whether negligence or otherwise).

THESE DESIGNS, DRAWINGS & SPECIFICATIONS & COPYRIGHT THEREOF ARE THE PROPERTY OF DECOR SYSTEMS AUSTRALIA & MUST NOT BE USED, RETAINED OR COPIED WITHOUT THE WRITTEN AUTHORITY OF DECOR SYSTEMS AUSTRALIA.



DECORZEN INSTALLATION DETAIL
BJ2 FIXING METHOD
 Wall Application Only

- FRAMING:
- WALL AND CEILING FURRING CHANNEL FRAMING BY OTHERS
 - RECOMMENDATION FURRING CHANNELS AT 400MM CENTRES
 - RECOMMENDATION BJ2 SPLIT BATTEN AT 600MM CENTRES
- HARDWARE:
- RECOMMENDATION OF 600MM CENTRES



Disclaimer:

All specifications shown in these documents are intended as a guide only & should not be considered as conclusive. Fixing types & sizes used to install these products must be considered in conjunction with site conditions.

It is the users responsibility to ensure the use of this document coincides with their own judgement and is appropriate for the application. Decor Systems cannot be held responsible for any consequences arising from the improper use of this material (whether negligence or otherwise).

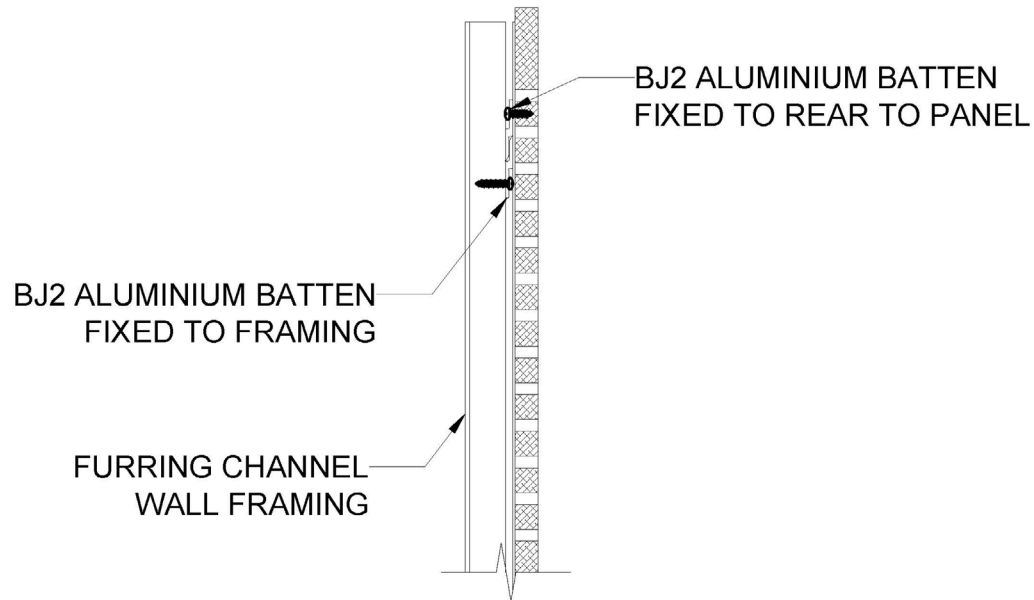
THESE DESIGNS, DRAWINGS & SPECIFICATIONS & COPYRIGHT THEREOF ARE THE PROPERTY OF DECOR SYSTEMS AUSTRALIA & MUST NOT BE USED, RETAINED OR COPIED WITHOUT THE WRITTEN AUTHORITY OF DECOR SYSTEMS AUSTRALIA.



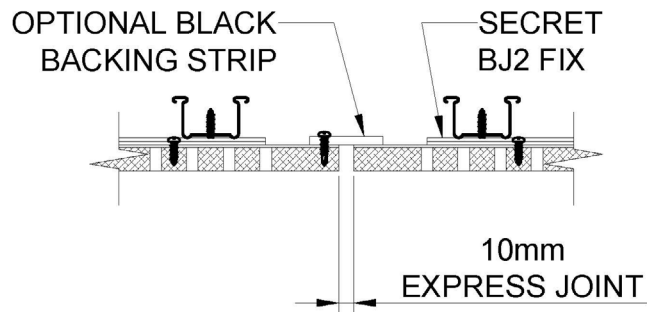
BJ2 FIXING 3D

DECORZEN INSTALLATION DETAIL
BJ2 FIXING METHOD
 Wall Application Only

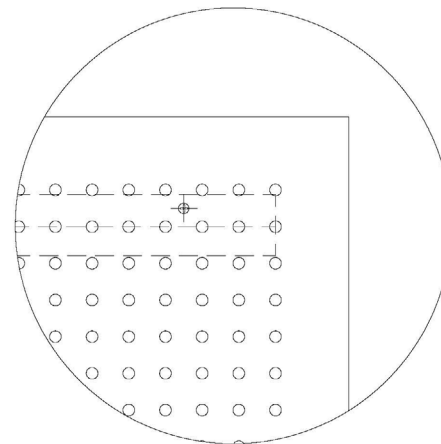
- FRAMING:
- WALL AND CEILING FURRING CHANNEL FRAMING BY OTHERS
 - RECOMMENDATION FURRING CHANNELS AT 400MM CENTRES
 - RECOMMENDATION BJ2 SPLIT BATTEN AT 600MM CENTRES
- HARDWARE:
- RECOMMENDATION OF 600MM CENTRES



SECRET BJ2 FIX
WALL FRAMING



END TO END
EXPRESS JOINT



SECRET FIX
Fixed from Rear

Disclaimer:

All specifications shown in these documents are intended as a guide only & should not be considered as conclusive. Fixing types & sizes used to install these products must be considered in conjunction with site conditions.

It is the users responsibility to ensure the use of this document coincides with their own judgement and is appropriate for the application. Decor Systems cannot be held responsible for any consequences arising from the improper use of this material (whether negligence or otherwise).

THESE DESIGNS, DRAWINGS & SPECIFICATIONS & COPYRIGHT THEREOF ARE THE PROPERTY OF DECOR SYSTEMS AUSTRALIA & MUST NOT BE USED, RETAINED OR COPIED WITHOUT THE WRITTEN AUTHORITY OF DECOR SYSTEMS AUSTRALIA.

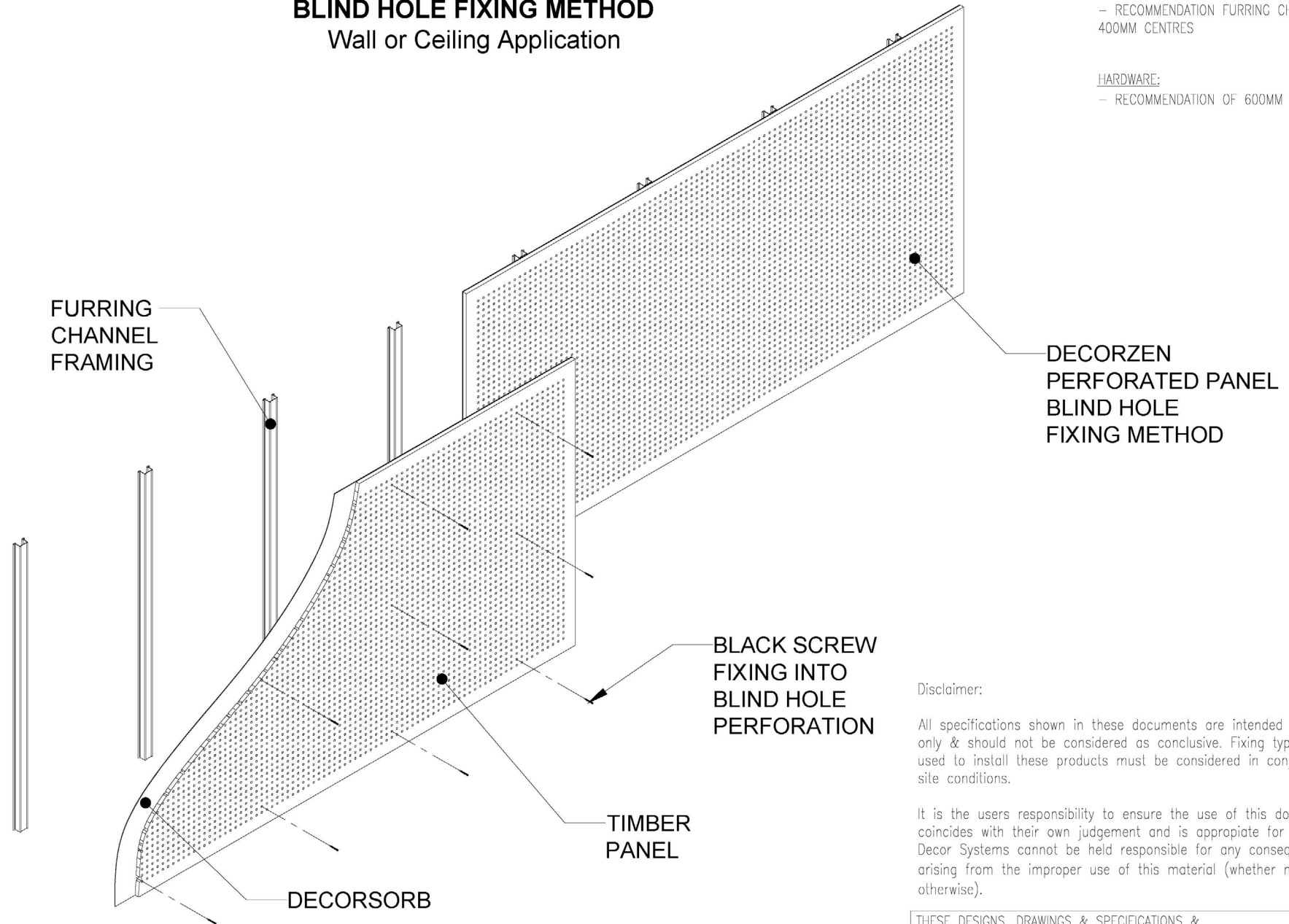


BJ2 FIXING 2D

DECORZEN INSTALLATION DETAIL
BLIND HOLE FIXING METHOD
Wall or Ceiling Application

- FRAMING:
- WALL AND CEILING FURRING CHANNEL FRAMING BY OTHERS
 - RECOMMENDATION FURRING CHANNELS AT 400MM CENTRES

- HARDWARE:
- RECOMMENDATION OF 600MM CENTRES



Disclaimer:

All specifications shown in these documents are intended as a guide only & should not be considered as conclusive. Fixing types & sizes used to install these products must be considered in conjunction with site conditions.

It is the users responsibility to ensure the use of this document coincides with their own judgement and is appropriate for the application. Decor Systems cannot be held responsible for any consequences arising from the improper use of this material (whether negligence or otherwise).

THESE DESIGNS, DRAWINGS & SPECIFICATIONS & COPYRIGHT THEREOF ARE THE PROPERTY OF DECOR SYSTEMS AUSTRALIA & MUST NOT BE USED, RETAINED OR COPIED WITHOUT THE WRITTEN AUTHORITY OF DECOR SYSTEMS AUSTRALIA.

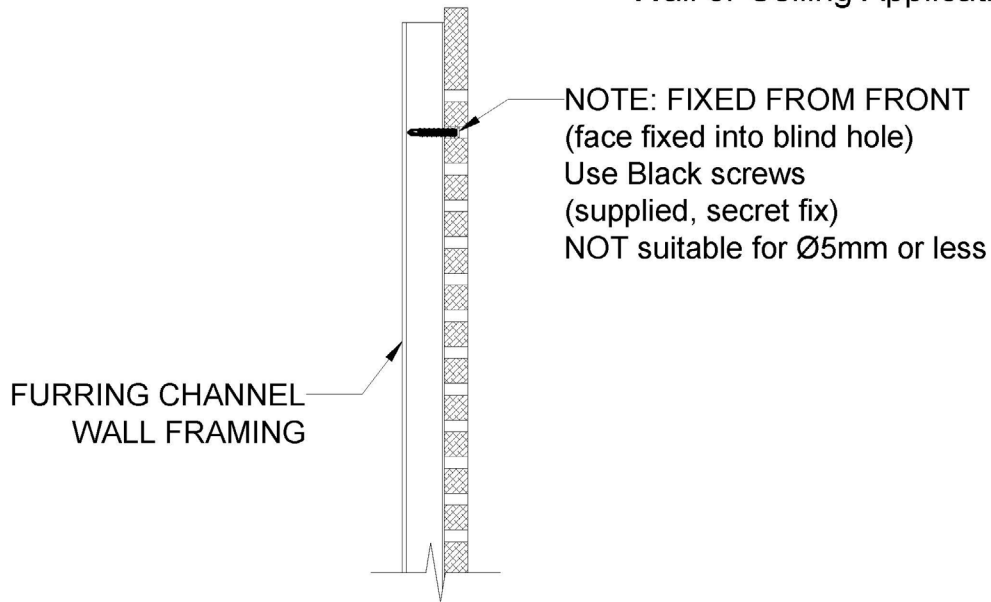


BLIND HOLE 3D

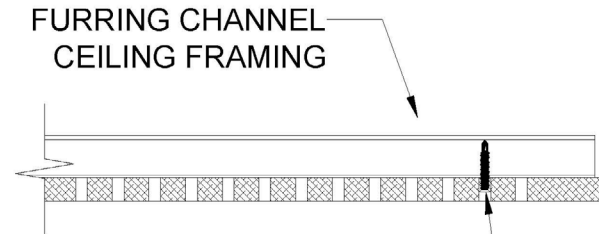
DECORZEN INSTALLATION DETAIL
BLIND HOLE FIXING METHOD
 Wall or Ceiling Application

FRAMING:
 - WALL AND CEILING FURRING CHANNEL FRAMING BY OTHERS
 - RECOMMENDATION FURRING CHANNELS AT 400MM CENTRES

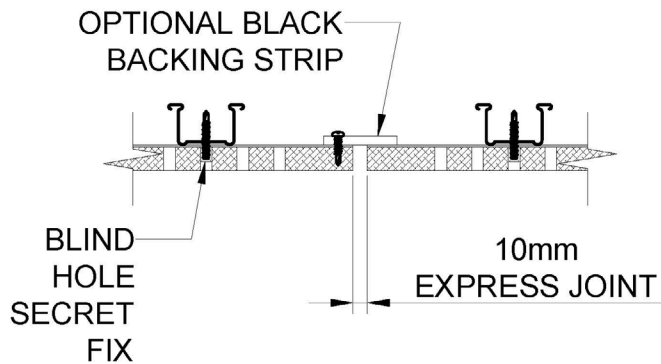
HARDWARE:
 - RECOMMENDATION OF 600MM CENTRES



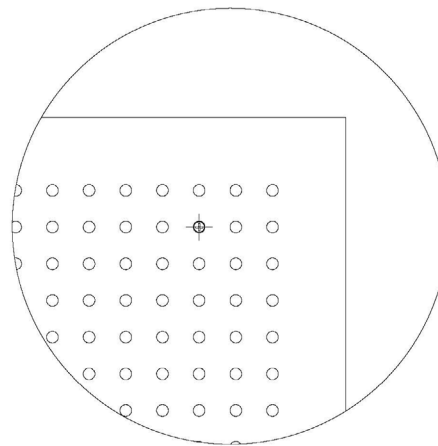
**SECRET SCREW FIX
 TO WALL FRAMING**



**SECRET SCREW FIX
 TO CEILING FRAMING**



**END TO END
 EXPRESS JOINT**



**SECRET SCREW FIX
 FACE VIEW**

Disclaimer:

All specifications shown in these documents are intended as a guide only & should not be considered as conclusive. Fixing types & sizes used to install these products must be considered in conjunction with site conditions.

It is the users responsibility to ensure the use of this document coincides with their own judgement and is appropriate for the application. Decor Systems cannot be held responsible for any consequences arising from the improper use of this material (whether negligence or otherwise).

THESE DESIGNS, DRAWINGS & SPECIFICATIONS & COPYRIGHT THEREOF ARE THE PROPERTY OF DECOR SYSTEMS AUSTRALIA & MUST NOT BE USED, RETAINED OR COPIED WITHOUT THE WRITTEN AUTHORITY OF DECOR SYSTEMS AUSTRALIA.



BLIND HOLE 2D

GET IN TOUCH

CONTACT

[1800 835 035](tel:1800835035)

letstalk@decorsystems.com.au



DECORSYSTEMS.COM.AU