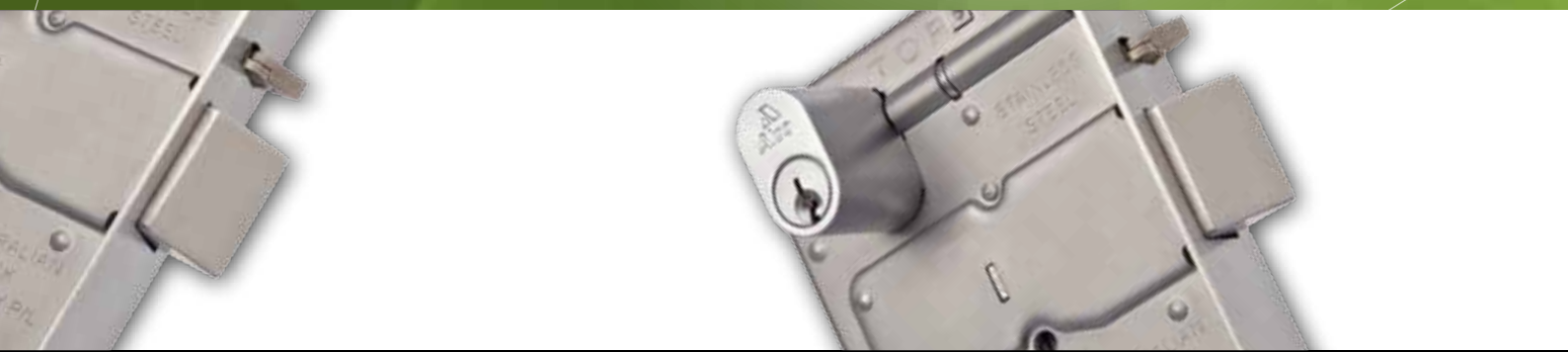




# *Product Catalogue*



[www.australianlock.com.au](http://www.australianlock.com.au)



# Contents

## **Alco 5000 Series Mortice Locks**

Introduction	2
Quick Reference Chart	3
5000 Series Mortice Nightlatches	4
5100 Series Mortice Deadlocks	5
5200 Series Mortice Vestibule & Privacy Locks	6 - 7
5300 Series Mortice Sliding Doors	8
5400 Series Mortice Combination Locks	9 - 10

## **Alco 6000/7000 Series Mortice Locks**

6000 Series Mortice Lock	11
6000 Series Mortice Dual Entry	11
7000 Series Mortice Lock	12
Quick Reference Chart	13
Miscellaneous/Auxiliary Items	14 - 18
Mortice Warranty	19

# Alco Mortice Locks



The state of the art ALCO 5000, 6000 & 7000 series stainless steel mortice locks are designed and engineered at the Australian Lock Company.

The ALCO 5000, 6000 & 7000 series are ideally suited to any building where durability or security are considered a priority, offering a complete and extensive range of functions to meet specific individual or project requirements.

The Australian Governments 'Security Construction & Equipment Committee' has endorsed the ALCO 5000, 5100, 6000, 6100, 7000 & 7100 stainless steel mortice lock & deadlock series, respectively to "Intruder Resistant" and "Secure Area" status – the highest rating by the Australian Government for security related products.

In addition the ALCO 5000 series mortice lock has been successfully tested for endurance within fire door assemblies for up to 4 hours (in accordance with both Australian Standards AS1530.4 2005 for Pyropanel door sets and Australian Standards AS1530.4 2005 for E-core door sets) proving its suitability for use on all fire doors (as referred to in AS1905, PART 1, Fire Resistant Door Sets).

The ALCO Mortice Lock series has also been approved by an independent NATA accredited body

to Australian Standards AS4145.2.1993 level D3 durability and level S3 physical security with a K2 cylinder fitted. In summary, you have a product which is one of the most highly secure and accredited locking mechanisms available.

In keeping with the engineering and design expectations synonymous with Australian Lock Company, ALCO 5000, 6000 & 7000 series stainless steel mortice locks offer:

- Flexibility to change the handing of the lock without removal of the lock case lid. This can be done by simply rotating the latch bolt for inwards or outwards opening, and for left hand to right hand without case disassembly.
- A multi-functional case allowing for easy conversion of a vestibule lock function to a combination lock function by simply turning the handing pieces on the side of the lock.
- The lock base, cover and Australian universal strike plate made from 2mm 304 grade stainless steel.
- Auxiliary dead latching bolt of sintered stainless steel.
- Main latch bolt of 304 grade sintered stainless steel.
- Main deadbolts and sliding door bolts of 304 grade sintered stainless steel.

- All springs manufactured from 304 grade stainless steel.
- A design to be used in conjunction with the Australian standard oval cylinder configuration and its standard fixing.
- A standard backset of 60mm & extended 95mm and 127mm options.
- A kick-off feature to all applicable lock type functions.
- Holdback in most lock functions to allow the latch bolt to be held in retracted position.
- Suitability for 33mm – 50mm doors as standard.
- Rebate kits available to convert the standard mortice lock into a 13mm rebated door.
- Available with BiLock 5290 or ALCO Cylinders.

Standard finishes for cylinders are Satin Chrome, Chrome Plate, Polished Brass Unlacquered and Florentine Bronze.

# Alco Mortice Lock Quick Reference Chart

## 5000 Series



Nightlatch



5000      5001      5002      5003

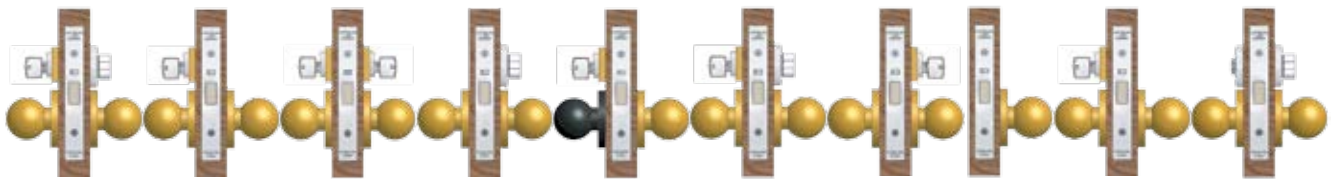
Deadlock



5100      5101      5102      5103



Vestibule Lock



5200      5201      5202      5203      5204      5205      5206      5207      5208PWD      5210

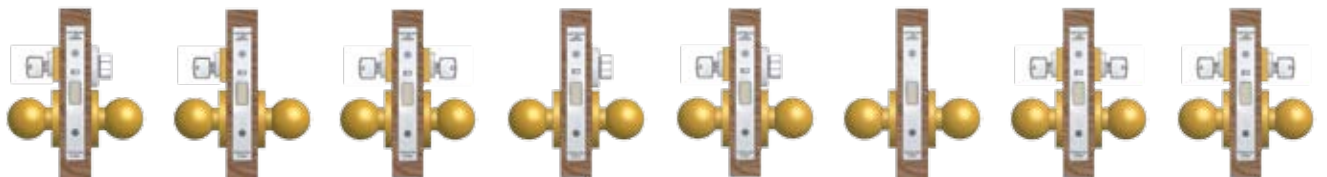
Sliding Door



5300      5301      5302      5303



Combination



5400      5401      5402      5403      5405      5409      5422      5428

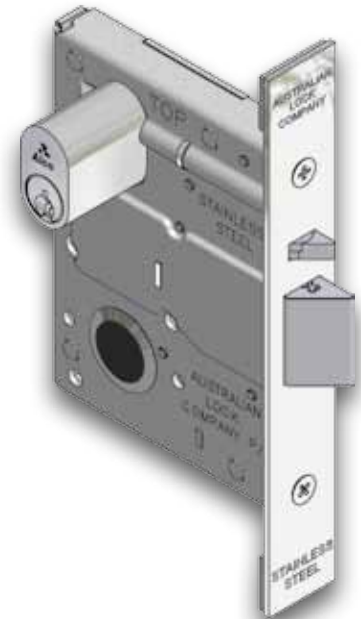
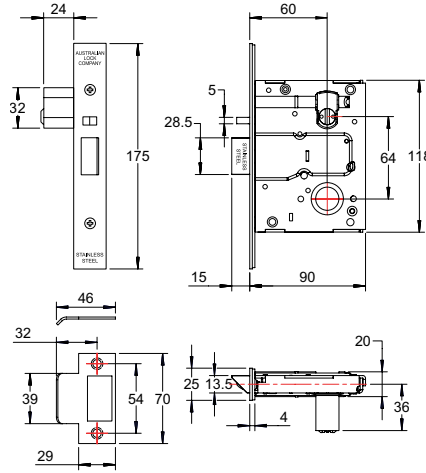


# Alco 5000 Series Mortice Locks

## Nightlatches

### 5000 Series Mortice Nightlatches

Deadlocking mortice Nightlatches feature a Latchbolt that is retracted by a series of cylinder or turnsnib configurations. Latchbolt is automatically locked when the door is closed.

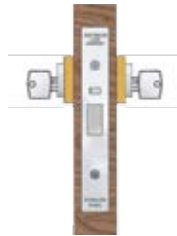


#### 5000 Nightlatch

Cylinder & Turnsnib

Opened by key from outside.  
Opened by turnsnib from inside.  
Latchbolt automatically deadlatches when door is closed.  
Available in left and right handing.

SS PSS PBU FB



#### 5002 Communicating Door Lock

Double Cylinder

Opened by key from either side. Latchbolt automatically deadlatches when door is closed.  
Available in left and right handing.

SS PSS PBU FB



#### 5001 Cylinder Nightlatch

Single Cylinder

Opened by key from outside. Latchbolt automatically deadlatches when door is closed.  
Available in left and right handing.

SS PSS PBU FB



#### 5003 Exit Door Latch

Turnsnib

Opened by turnsnib from inside. Latchbolt automatically deadlatches when door is closed.  
Available in left and right handing.

SS PSS PBU FB

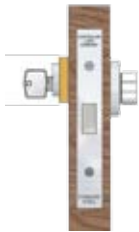
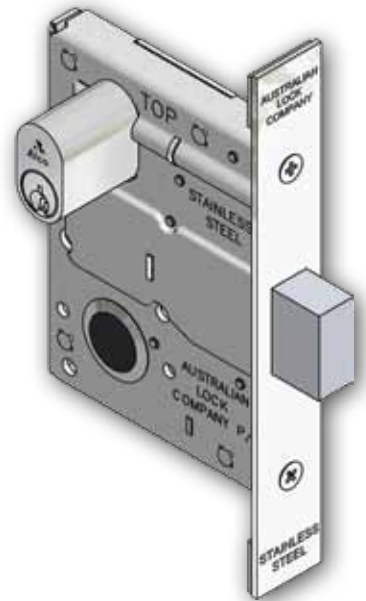
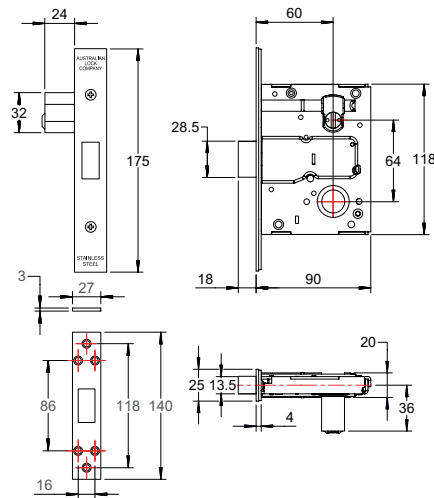
# Alco 5000 Series Mortice Locks

## Deadlocks

### 5100 Series Mortice Deadlocks

Deadbolts have a rectangular bolt.

Deadbolts are operated by either cylinders or turnsnibs to retract the latchbolt.



#### 5100 Deadlock

*Cylinder & Turnsnib*

*Opened by key from outside.  
Opened by turnsnib from inside.  
Available in left and right handing.*

**SS PSS PBU FB**



#### 5102 Glass Door Deadbolt

*Double Cylinder*

*Opened by key from either side.  
Available in left and right handing.*

**SS PSS PBU FB**



#### 5101 Lockup Shop Deadlock

*Single Cylinder*

*Opened by key from outside.  
Available in left and right handing.*

**SS PSS PBU FB**



#### 5103 Exit Deadbolt

*Turnsnib*

*Opened by turnsnib from inside.  
Available in left and right handing.*

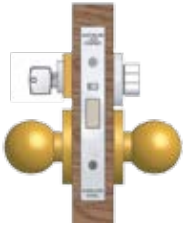
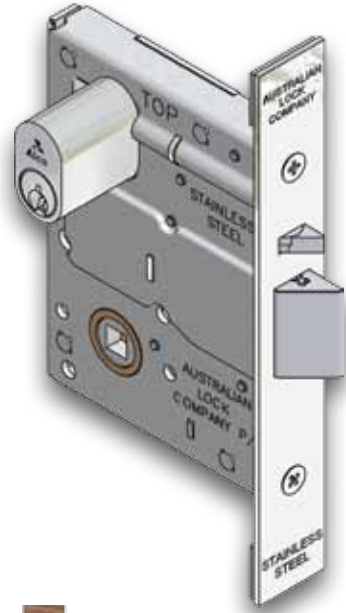
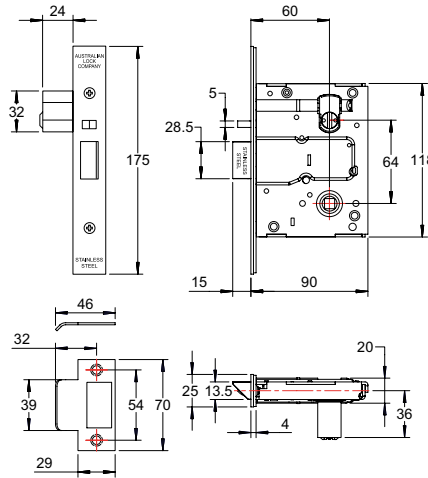
**SS PSS PBU FB**

# Alco 5000 Series Mortice Locks

## Vestibule & Privacy Locks

### 5200 Series Mortice Vestibule & Privacy Locks

The vestibule locks are fully reversible and the function can be changed without removing the case. Auxiliary deadlatch bolt automatically locks main bolt on closing the door. The vestibule locks always feature an inside handle to allow egress in case of emergencies.

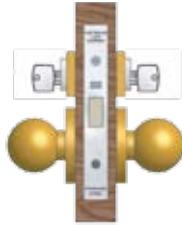


#### 5200 Vestibule or Entrance Lock

Cylinder & Turnsnib

Latchbolt operated by handle from either side. Outside handle is locked or unlocked by inside turnsnib. Key outside retracts latchbolt only. Inside handles are always free. Latchbolt automatically deadlatches when door is closed. Available in left and right handing.

SS PSS PBU FB

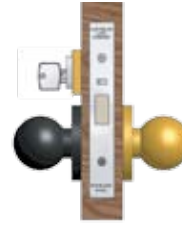


#### 5202 Exterior or Exit Door Lock

Double Cylinder

Latchbolt operated by handle from either side. Outside handle is locked or unlocked by key from inside. Key outside retracts latchbolt only. Inside handles are always free. Latchbolt automatically deadlatches when door is closed. Available in left and right handing.

SS PSS PBU FB

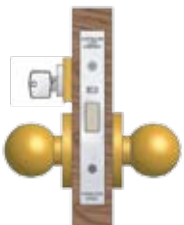


#### 5204 Storeroom Lock

Single Cylinder

Key outside retracts latchbolt only. Outside handle is ridged at all times. Inside handles are always free. Latchbolt automatically deadlatches when door is closed. Available in left and right handing.

SS PSS PBU FB

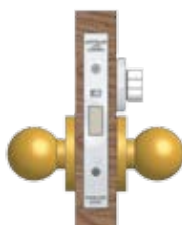


#### 5201 Class Room Lock

Single Cylinder

Latchbolt operated by handle from either side. Outside handle is locked or unlocked by inside turnsnib. Key outside retracts latchbolt only. Inside handles are always free. Latchbolt automatically deadlatches when door is closed. Available in left and right handing.

SS PSS PBU FB

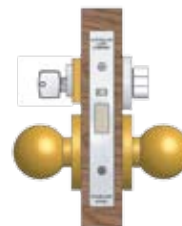


#### 5203 Exit Door Latch

Turnsnib

Latchbolt operated by handle from either side. Outside handle is locked by turnsnib inside. Inside handles are always free. Latchbolt automatically deadlatches when door is closed. Available in left and right handing.

SS PSS PBU FB



#### 5205 Office Lock

Cylinder & Turnsnib

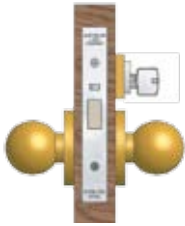
Latchbolt operated by handle from either side. Outside handle is locked or unlocked by either key from outside or turnsnib inside. Inside handles are always free. Latchbolt automatically deadlatches when door is closed. Available in left and right handing.

SS PSS PBU FB



# Alco 5000 Series Mortice Locks

## Vestibule & Privacy Locks *continued*



### 5206 Exit Door Lock

#### Single Cylinder

Latchbolt operated by handle from either side.  
Outside handle is locked or unlocked by inside cylinder.  
Latchbolt automatically deadlatches when door is closed.  
Available in left and right handing.

SS PSS PBU FB

---

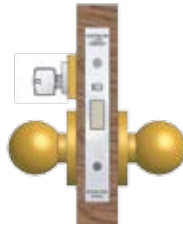


### 5207 Exit Door Latch

Latchbolt operated by handle from inside only. No outside handle. Latchbolt automatically deadlatches when door is closed.  
Available in left and right handing.

SS PSS PBU FB

---



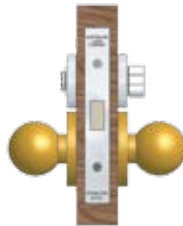
### 5208PWD Special Classroom Lock

#### Single Cylinder

Latchbolt operated by handles either side except when outside handle is made inoperable by the key from outside. Cylinder has dual function. When turned towards strike, cylinder unlocks outside handle. If turned further, cylinder will also retract Latchbolt. Inside handles are always free.  
Available in left and right handing.

SS PSS PBU FB

---



### 5210 Privacy Lock

Latchbolt operated by handle from either side. Outside handle is locked by turnsnib inside. Inside handles are always free. Latchbolt automatically deadlatches when door is closed.  
Available in left and right handing.

SS PSS PBU FB

---

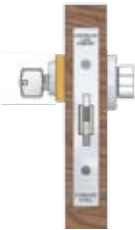
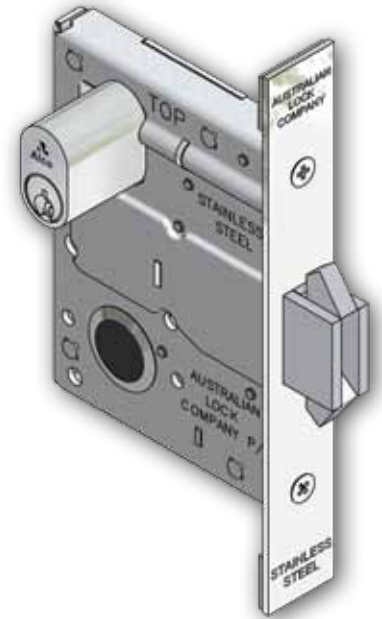
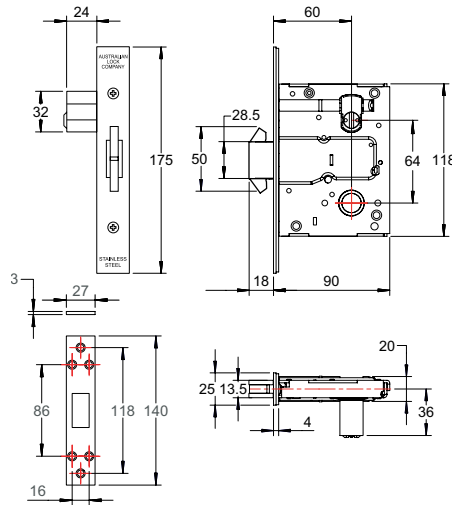


# Alco 5000 Series Mortice Locks

## Sliding Doors

### 5300 Series Mortice Sliding Doors

Sliding door locks are operated by either cylinder or turnsnib configuration. The deadbolt has a claw bolt that engages behind the strike plate to prevent the bolt being withdrawn while sliding the door.

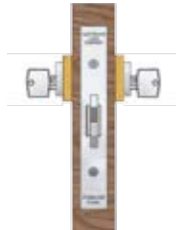


#### 5300 Sliding Door Deadlock

Cylinder & Turnsnib

Opened by key from outside.  
Opened by turnsnib from inside.  
Available in left and right handing.

SS PSS PBU FB



#### 5302 Sliding Glass Door Deadlock

Double Cylinder

Opened by key from either side.  
Available in left and right handing.

SS PSS PBU FB



#### 5301 Lock Up Shop Sliding Deadlock

Single Cylinder

Opened by key from outside.  
Available in left and right handing.

SS PSS PBU FB



#### 5303 Exit Sliding Door Deadlock

Turnsnib

Opened by turnsnib from inside.  
Available in left and right handing.

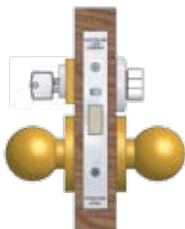
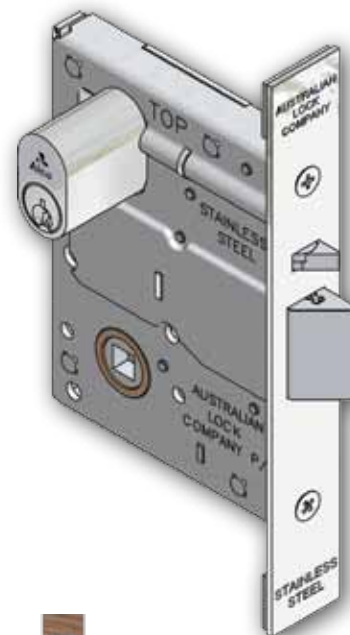
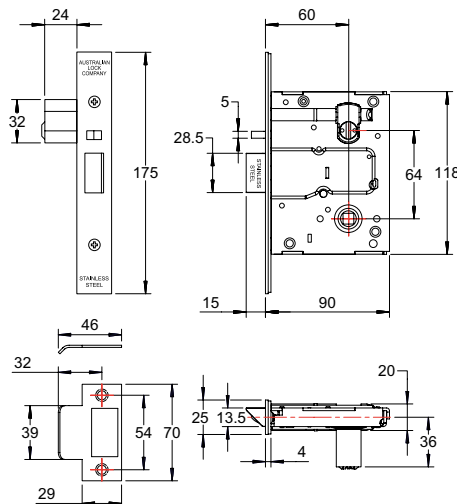
SS PSS PBU FB

# Alco 5000 Series Mortice Locks

## Combination Locks

### 5400 Series Mortice Combination Locks

Combination locks are fully reversible and the function can be changed without removing the case. Auxiliary deadlatch bolt automatically locks main bolt on closing the door. Combination locks feature is the inside handle is always fixed when locked by the cylinder or snib.

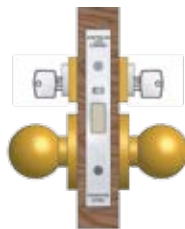


#### 5400 Combination Entrance Lock

Cylinder & Turnsnob

Latchbolt operated by handles from either side. Both handles are locked or unlocked by either key outside or turnsnob inside. Latchbolt automatically deadlatches when door is closed. Available in left and right handing.

SS PSS PBU FB

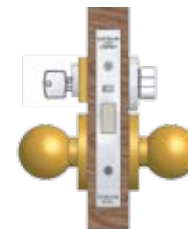


#### 5402 Glass Door Lock

Double Cylinder

Latchbolt operated by handles from either side. Both handles are locked or unlocked by key from outside or key from inside. Latchbolt automatically deadlatches when door is closed. Available in left and right handing.

SS PSS PBU FB

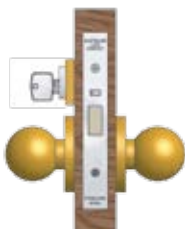


#### 5405 Entrance Office Lock

Cylinder & Turnsnob

Latchbolt operated by handles from either side. Both handles are locked or unlocked by turnsnob from inside. Key outside retracts latchbolt. Latchbolt automatically deadlatches when door is closed. Available in left and right handing.

SS PSS PBU FB

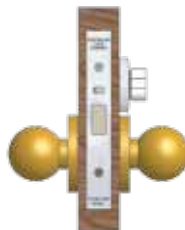


#### 5401 Entrance Door Lock

Single Cylinder

Latchbolt operated by handles from either side. Both handles are locked or unlocked by key from outside. Latchbolt automatically deadlatches when door is closed. Available in left and right handing.

SS PSS PBU FB

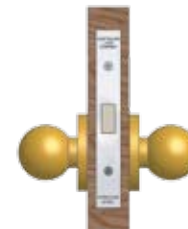


#### 5403 Patio Door Lock

Turnsnib Inside

Latchbolt operated by handle from either side. Both handles are locked or unlocked by turnsnob from the inside. Latchbolt automatically deadlatches when door is closed. Available in left and right handing.

SS PSS PBU FB



#### 5409 Passage Latch

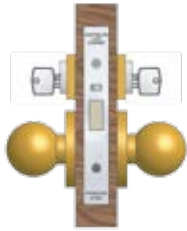
Non Locking

Opens by handles either side at all times. Available in left and right handing.

SS PSS PBU FB

# Alco 5000 Series Mortice Locks

## Combination Locks *continued*



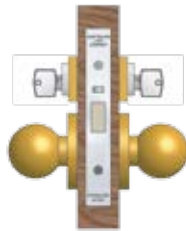
### 5422 Glass Door Lock

#### Double Cylinder

*Latchbolt operated by handles from either side. Both handles are locked or unlocked by key from inside. Key outside retracts latchbolt. Latchbolt automatically deadlatches when door is closed. Available in left and right handing.*

**SS PSS PBU FB**

---



### 5428 Courtroom Lock

#### Double Cylinder

*Latchbolt operated by handles from either side. Both handles are locked or unlocked by key from outside or by key from inside. Latchbolt automatically deadlatches when door is closed. Key outside or inside retracts latchbolt. Available in left and right handing.*

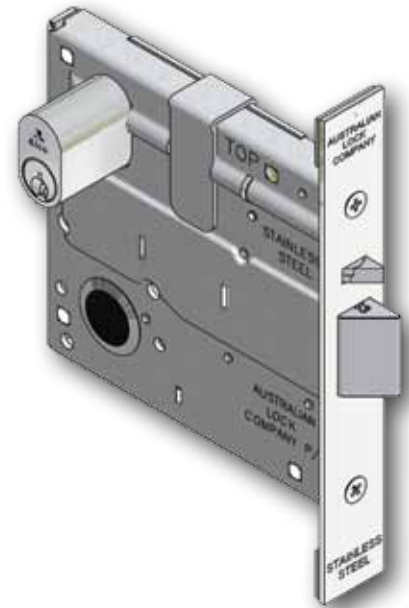
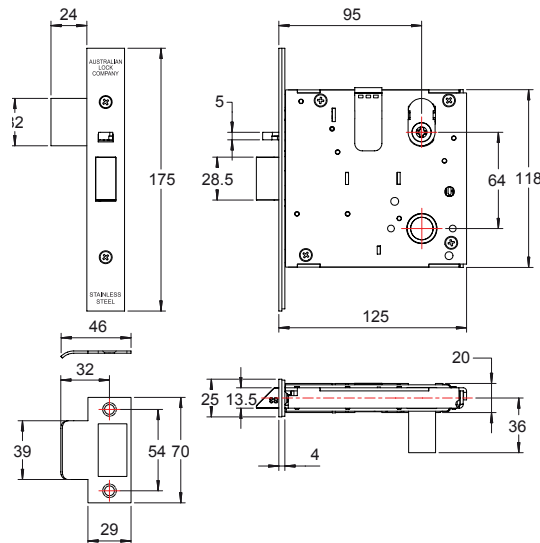
**SS PSS PBU FB**

---

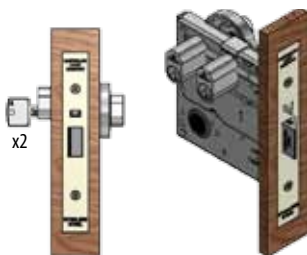
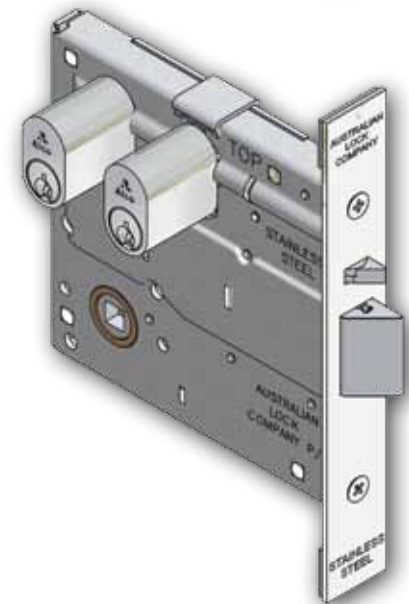
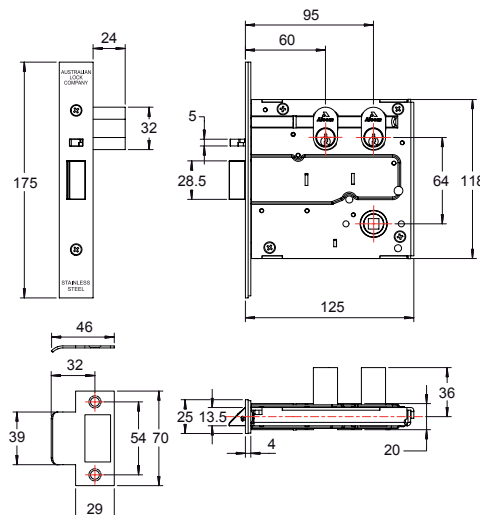
# Alco 6000/7000 Series Mortice Locks

## 95mm Mortice Lock

### 6000 Series Mortice Lock



### 6000 Series Mortice Lock Dual Entry

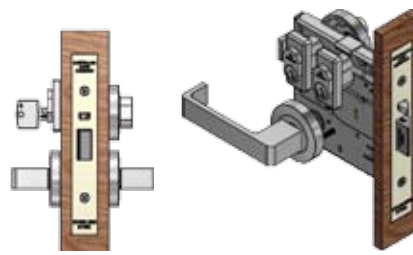


#### 6022 Dual Cylinder Night Latch

Dual Cylinder and Turnsnib

Located at 60mm and 95mm backset. Both cylinders retract latchbolt independently. Opened by turnsnib from inside. Latchbolt automatically deadlocks when door is closed. Available in left and right handing.

SS PSS PBU FB



#### 6024 Multi Purpose Lock

Dual Cylinder Night Latch

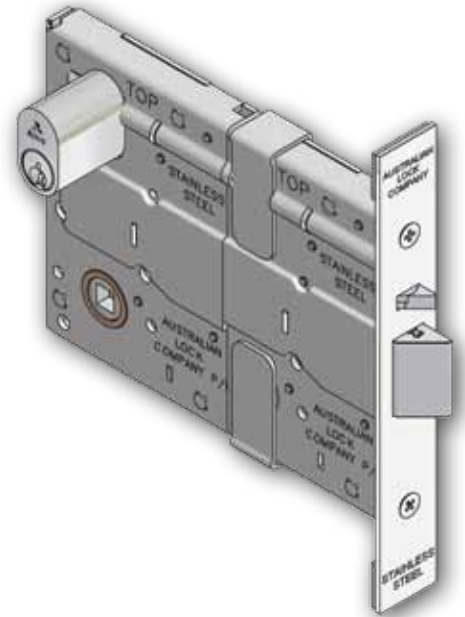
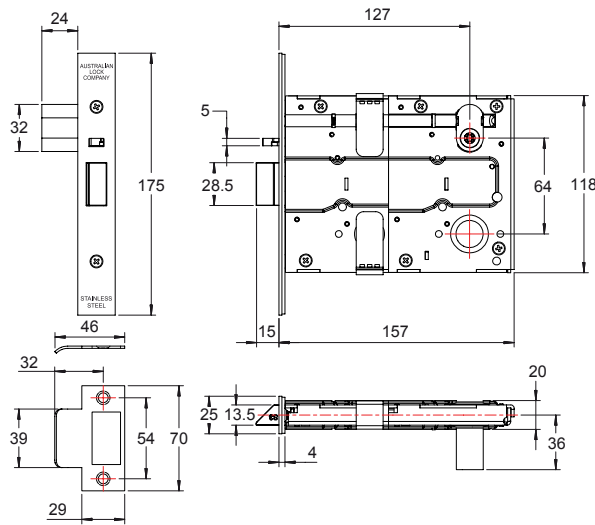
Located at 60mm and 95mm backset. 60mm cylinder retracts latchbolt. 95mm cylinder locks or unlocks outside handle and retracts latchbolt. Opened by turnsnib from inside. Inside handle is always free. Latchbolt automatically deadlatches when door is closed. Available in left and right handing.

SS PSS PBU FB

# Alco 6000/7000 Series Mortice Locks

## 125mm Mortice Lock

### 7000 Series Mortice Lock



# Alco Mortice Lock Quick Reference Chart

## 6000 & 7000 Series



Nightlatch



6000  
7000      6001  
7001      6002  
7002      6003  
7003

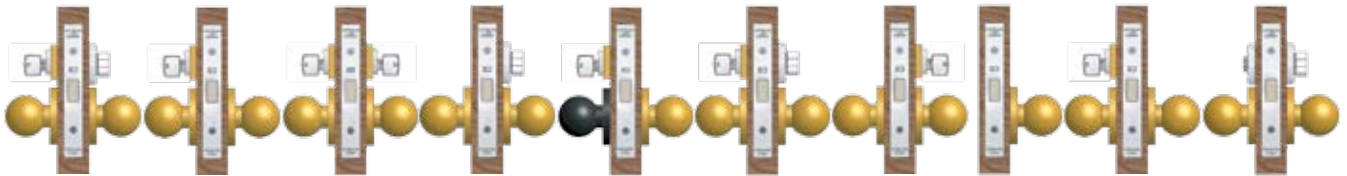
Deadlock



6100  
7100      6101  
7101      6102  
7102      6103  
7103



Vestibule Lock



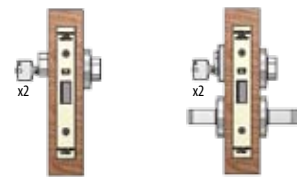
6200  
7200      6201  
7201      6202  
7202      6203  
7203      6204  
7204      6205  
7205      6206  
7206      6207  
7207      6208PWD  
7208PWD      6210  
7210

Sliding Door



6300  
7300      6301  
7301      6302  
7302      6303  
7303

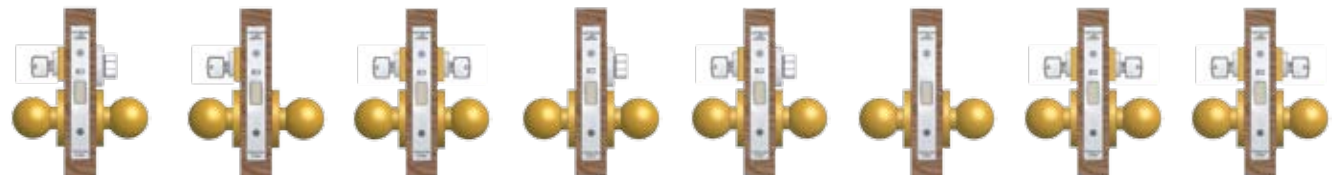
Dual Entry



6022  
7022      6024  
7024



Combination



6400  
7400      6401  
7401      6402  
7402      6403  
7403      6405  
7405      6409  
7409      6422  
7422      6428  
7428







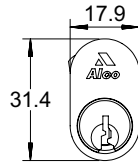


# Alco Mortice Locks

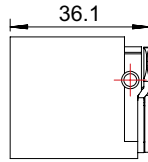
## Miscellaneous Items

### Hold Back (HB)

Hold back (HB) allows the latchbolt to be held in the opened position and the key removed. This option is available on certain locks listed below. If hold back is requested, a cylinder and hold back cam will be supplied. Available on 5000, 5001, 5002, 5202, 5204, 5405 and 5422.



**Hold-Back APC4570HBRH-K2**  
(Right Hand)



**Hold-Back PP5293L**  
(Left Hand)



**Hold-Back PP5293R**  
(Right Hand)

(Includes cam, retainer plate & screws)

### Kick Off (KO)

Kick off (KO) function adds a feature to the lock that makes it unable to be locked when the door is in the opened position. Kick off is available on any lock that incorporates an MLAAD5200-01. Turns nib adaptor AND a "K2" cam. Available on 5200, 5203, 5205, 5400, 5405, 6200, 6203, 6205, 6400, 6405, 7200, 7203, 7205, 7400, 7405.



**Kick-off Snib Adaptor - Assembly**  
**MLAAD5200-02RH**  
(Right Hand)



**Kick-off Snib Adaptor - Assembly**  
**MLAAD5200-02LH**  
(Left Hand)



**K2 Cam**  
**MLCMK2**

## Special Key Codes

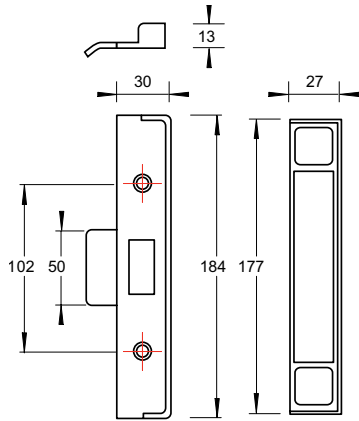
All new systems will be supplied with 2 keys per code.

<b>Keyed to Differ</b>	<b>KD</b>
<b>Keyed Alike</b>	<b>KA</b>
<b>Master Keyed</b>	<b>MK</b>
<b>Grand Master Keyed</b>	<b>GMK</b>
<b>Master Keyed &amp; Maison Keyed</b>	<b>MKMSK</b>

# Alco Mortice Locks

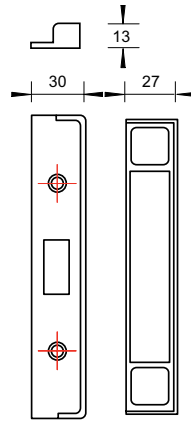
## Auxiliary Parts

### Rebate Kits - Strike Plates



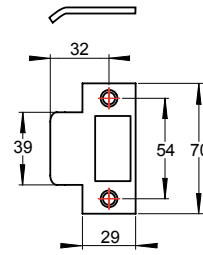
**Latchbolt Rebate Kit**  
**MLRK5000-01**

Finishes available SSS, PBU, CP & FB



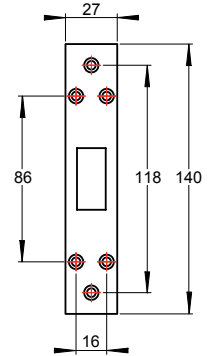
**Deadbolt Rebate Kit**  
**MLRK5100-01**

Finishes available SSS, PBU, CP & FB



**Universal Strike Plate**  
**MLPA5000-02**

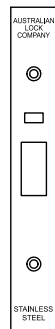
Finishes available SSS, PBU, PSS & FB



**Deadbolt/Sliding Lock Strike**  
**MLPA5100-02**

Finishes available SSS, PBU, PSS & FB

### Face Plates



**Face Plate**  
**MLPA5000-01**

Finishes available SSS, PBU, PSS & FB

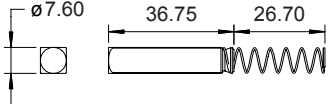
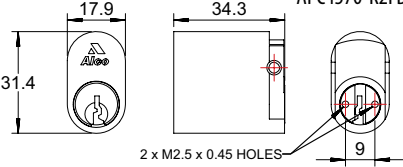
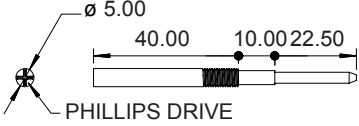
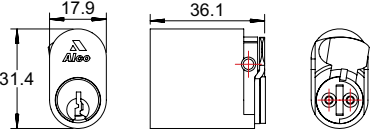
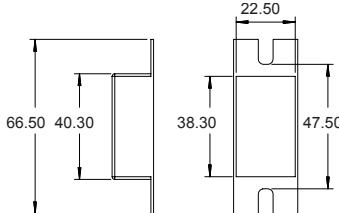
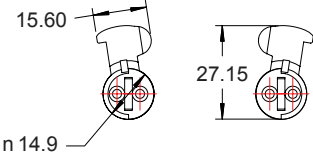
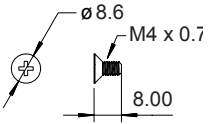



**Face Plate**  
**MLPA5100-01**

Finishes available SSS, PBU, PSS & FB

# Alco Mortice Locks

## Miscellaneous Items

Description	Part Number	Description	Part Number
<b>Furniture Spindle</b> 	MLMS5200-04	<b>Standard Oval Cylinder 6 Pin</b> 	APC4570-K2SCP APC4570-K2CP APC4570-K2PBU APC4570-K2FB
<b>Cylinder Retaining Screw</b> <b>95mm Retaining Screw</b> <b>127mm Retaining Screw</b> 	MLSC5000-02 MLSC6000-02 MLSC7000-02	<b>Hold Back Cylinder - Left Hand</b> <b>Hold Back Cylinder - Right Hand</b> 	APC4570HBLH-K2SCP APC4570HBLH-K2CP APC4570HBLH-K2PBU APC4570HBLH-K2FB APC4570HBRH-K2SCP APC4570HBRH-K2CP APC4570HBRH-K2PBU APC4570HBRH-K2FB
<b>Strike Box</b> 	MLMS5000-04	<b>Hold-Back Cam Left Hand</b> <b>Hold-Back Cam Right Hand</b> 	PP5293L PP5293R
<b>Face Plate Screw</b> MLSC5000-01SS - Stainless Steel 	MLSC5000-01 NB - Natural Brass	<b>Standard Oval Cylinder SCP</b> 	APC4590-K2SCP

# Product Warranty

## Alco Mortice Locks

Australian Lock Company guarantees its range of ALCO Mortice Locks for a period of two (2) years against defects in workmanship & materials from date of proof of purchase. If within the warranty period this product is found to be defective, Australian Lock Company will replace the product or provide an equivalent.

Under this product warranty Australian Lock Company assumes no responsibility for the following:

1. Failure to adhere to fitting instructions or faulty installation.
2. Product wear & tear due to improper maintenance.
3. Product failure caused by the use of non ALCO parts.
4. Unauthorised modifications or repairs made to the product.
5. Use of unauthorised replacement parts.
6. Any costs incurred due to –
  - i) Removal & or replacement of the ALCO product.
  - ii) Freight & / or travelling time.
  - iii) Any modifications or repairs to the ALCO product unless authorised by Australian Lock Company.
7. Personal injury, property damage or economic loss however caused.
8. Damage caused by corrosion when the ALCO product is installed in a corrosive environment.

Nothing in this Australian Lock Company product warranty excludes restricts or modifies in any condition, warranty, right or liability implied or protected by law where to do so would render the guarantee or any part of it void.







Whilst the Australian Lock Company Pty Ltd has taken every effort to ensure that the information in this catalogue is accurate at the time of publication, we recommend that you consult your Business Development Managers to ascertain information in specific products and specifications prior to placing your order. Please note that we reserve the right to make changes without notice. The Australian Lock Company Pty Ltd will not be liable for any damage or loss arising from any errors or omissions in the information contained in this catalogue or arising from the use of the information contained herein.

**Australian Lock Company Pty Limited**  
ABN 17 002 420 840

#### **AUSTRALIA**

##### **Head Office**

17 Doyle Avenue, Unanderra NSW 2526, Australia  
**Ph** +61 (0)2 4272 4922 • **Fax** +61 (0)2 4272 4677  
**Email** [sales@australianlock.com.au](mailto:sales@australianlock.com.au)  
**Web** [www.australianlock.com.au](http://www.australianlock.com.au)

#### **NEW ZEALAND**

PO Box 47169, Trentham, Upper Hutt, New Zealand  
**Ph** +64 272 875 625 • **Fax** +64 4970 2355  
**Email** [peterh@australianlock.co.nz](mailto:peterh@australianlock.co.nz)  
**Web** [www.australianlock.co.nz](http://www.australianlock.co.nz)

