

Brio®



Brio® where ideas unfold

Brio® Residential
Pack Set Range

Brio® where ideas unfold

Watch your adventurous architectural ideas unfold into exciting reality with the Brio range of sliding and folding door hardware.

Brio is passionate about shaping the spaces in which people live, work and play. With subsidiaries in the UK and USA – Brio is recognised by architects worldwide as a leading design and manufacturing company.

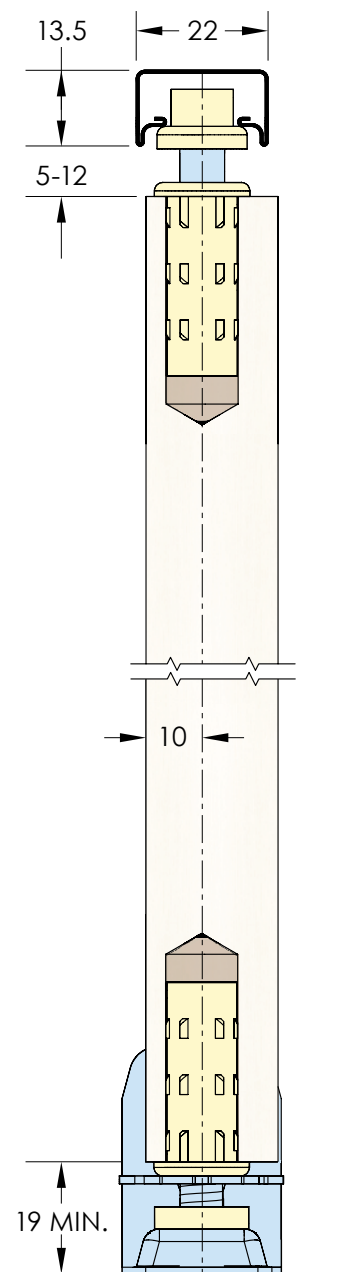
Brio's R&D department brings a strong design element to the business, developing and testing ground breaking concepts that continue to be at the forefront of the industry.

So it's no surprise our name Brio translates to Energy, Spirit and Vitality – the core values that drive us to always discover new solutions for our customers.

We are committed to the continuous improvement of quality. That is why Brio, located in Sydney, is certified to Quality Management System AS/NZS ISO 9001:2008.

Brio, part of the Allegion family of brands



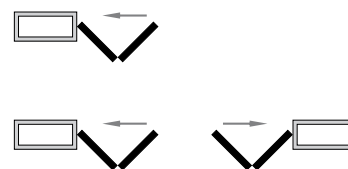


Bifold 16

Max Panel Weight 16kg	Max Panel Width 620mm	Max Panel Height 2400mm	Min Panel Thickness 23mm	Height Adjustment ± 3.5mm	Horizontal Adjustment ± 4mm
---------------------------------	---------------------------------	-----------------------------------	------------------------------------	-------------------------------------	---------------------------------------

Application

Bifold 16 is a simple to install, folding door hardware system for panels weighing less than 16kg. Neither top hung or bottom rolling; Bifold 16 supports the panels at the pivot base and incorporates spring loaded guides at the head. Bifold 16 is designed to be used without a bottom channel which makes it ideal for cupboards, pantries, laundry rooms and room dividers. The top channel is only 13.5mm high which maximises the opening and is easy to conceal.



Sets Available

BF16-09/2

Opening Width: Up to 915mm, 2 Panels

BF16-12/2

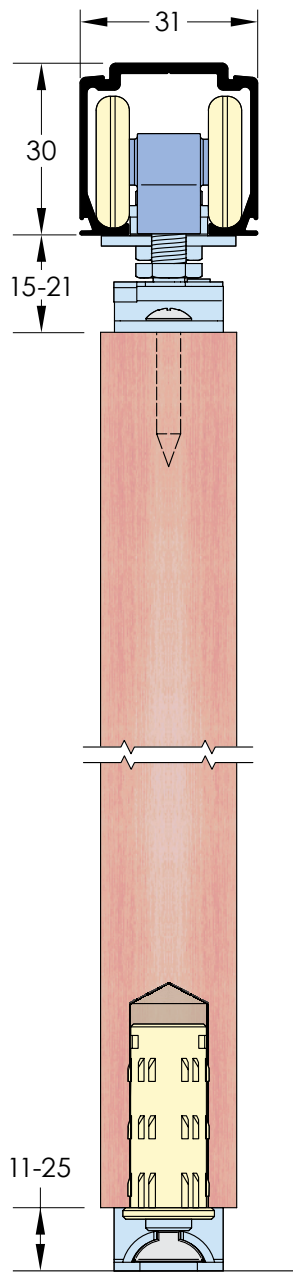
Opening Width: Up to 1250mm, 2 Panels

BF16-18/4

Opening Width: Up to 1830mm, 4 Panels

BF16-25/4

Opening Width: Up to 2500mm, 4 Panels



Multifold 30

Max Panel Weight 30kg	Max Panel Width 650mm	Max Panel Height 2400mm	Min Panel Thickness 19mm	Height Adjustment ± 3mm	Horizontal Adjustment ± 4mm
---------------------------------	---------------------------------	-----------------------------------	------------------------------------	-----------------------------------	---------------------------------------

Application

Multifold 30 from Brio is a versatile, interior folding door hardware system. The axis on the pivot and hangers sits within 25mm of the edge of the door, minimising the overhang of the panels, improving appearance and making it possible to fit trim to hide the gap between track and panel. The hanger includes four precision bearings and a quick release plate. This with the single spanner height adjustment makes installation easy.

Sets Available

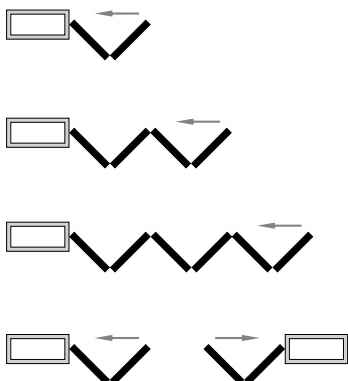
MF30-13/2
Opening Width: Up to 1300mm for 2 Panels

MF30-2PK
2 Panel Pack

MF30-APK
2 Panel Add on Pack

MF30-4PK
4 Panel Pack

MF30-6PK
6 Panel Pack





Sprintline 30

Max Panel Weight	Max Panel Width	Max Panel Height	Min Panel Thickness	Height Adjustment	Horizontal Adjustment
30kg	1500mm	2400mm	25mm	± 8mm	-

Application

Sprintline 30, the ever popular slide is now even better. The track is made from extruded aluminium for a smooth, quiet motion. The height can accurately be adjusted whilst the hanger takes the full weight of the panel. The pelmet is also made from extruded aluminium and is available in powder coat white.

Sets Available

SL30-16/1

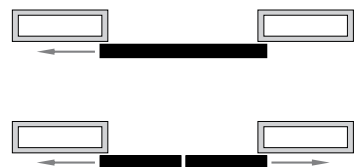
Track Length: 1600mm, Single Panel

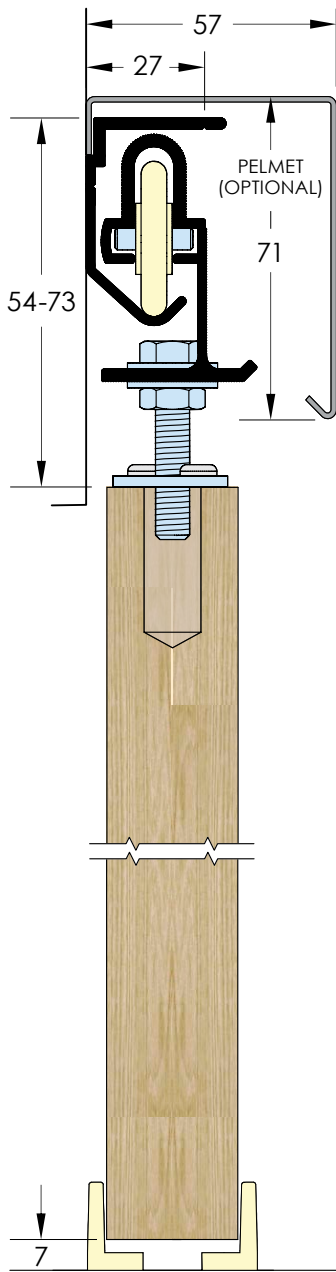
SL30-1PK

Pack of fittings only

SL30-24/1

Track Length: 2400mm, Single Panel

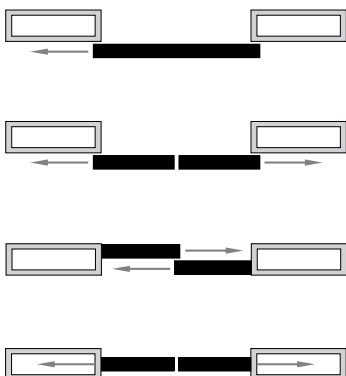




Twinwheel 45

Max Panel Weight	Max Panel Width	Max Panel Height	Min Panel Thickness	Height Adjustment	Horizontal Adjustment
45kg	1520mm	2400mm	25mm	± 9.5mm	-

Application



All Brio systems are smooth and quiet; Twinwheel 45 is arguably the smoothest and quietest of them all, designed as a room divider especially for nurseries and bedrooms. The track can be soffit fixed for pocket installations or face fixed and comes with the option of a white powder coat aluminium pelmet.

Sets Available

TW45-16/1

Track Length: 1630mm, Single Panel

TW45-22/1

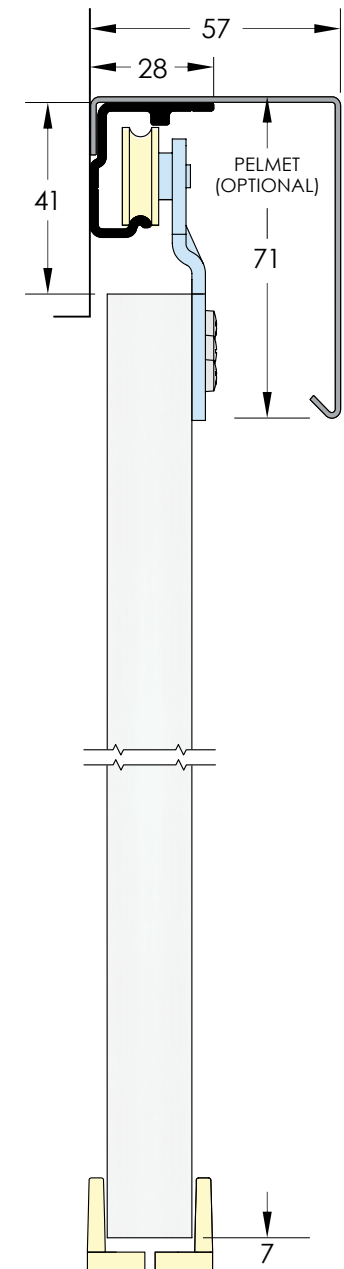
Track Length: 2230mm, Single Panel

TW45-28/1

Track Length: 2830mm, Single Panel

TW45-33/2

Track Length: 3320mm, 2 Panels



Wardrobe Single 50

Max Panel Weight	Max Panel Width	Max Panel Height	Min Panel Thickness	Height Adjustment	Horizontal Adjustment
50kg	900mm	2400mm	16mm	± 5mm	-

Application

Wardrobe Single 50 is a durable heavy duty slide with an adjustable face fix hanger suitable for thin medium density fibre (MDF) board. The high speed, precision sealed bearings ensure extended life and smooth operation as the hangers run on an aluminium rail. The track can be soffit or face fixed and dressed with an optional powder coat white, aluminium pelmet.

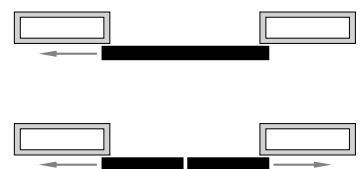
Sets Available

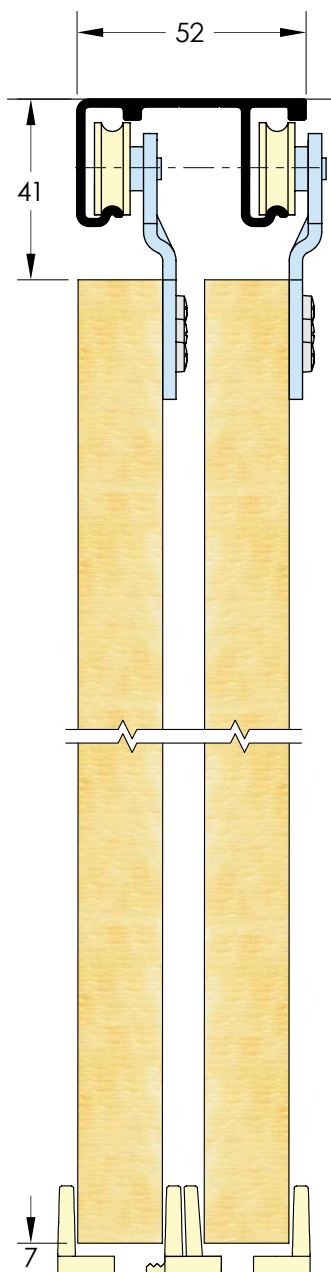
WS50-12/1
Track Length: 1200mm, Single Panel

WS50-15/1
Track Length: 1500mm, Single Panel

WS50-18/1
Track Length: 1800mm, Single Panel

WS50-1PK
Pack of Fittings only

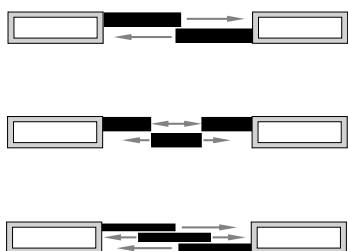




Wardrobe Double 50

Max Panel Weight	Max Panel Width	Max Panel Height	Min Panel Thickness	Height Adjustment	Horizontal Adjustment
50kg	900mm	2400mm	16mm	± 5mm	-

Application



Wardrobe Double 50, as the name implies, is designed specifically for wardrobes. It is a top hung system that can accommodate panels weighing 50kg each. The face fix hangers are adjustable and fitted on the blind side of the opening. Wardrobe Double 50 can be extended to three panels on three lines by adding Wardrobe Single 50 to run in parallel.

The expectation of wardrobes is they operate in silence. Brio is one of a few manufacturers that use precision bearings as standard to reduce noise and ensures the system remains that way.

Sets Available

WD50-12/2

Opening Width: 1200mm,
2 Panels

WD50-15/2

Opening Width: 1500mm,
2 Panels

WD50-18/2

Opening Width: 1800mm,
2 Panels

WD50-24/3

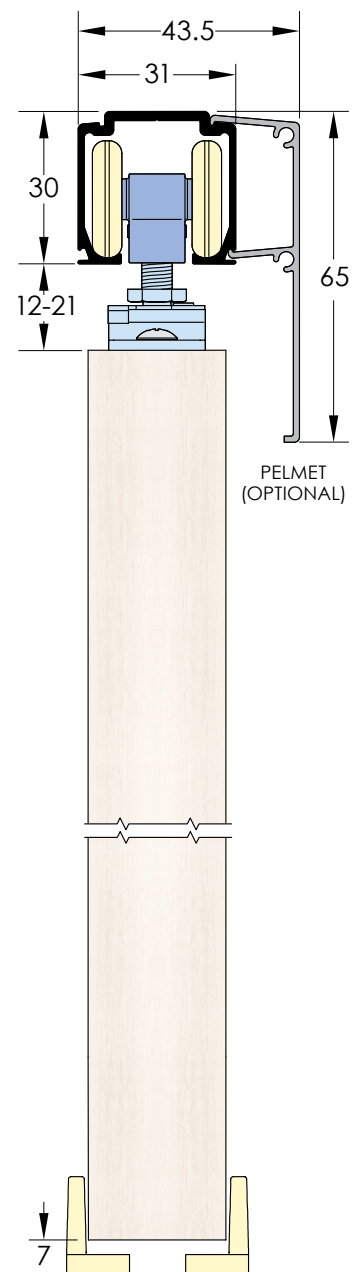
Opening Width: 2400mm,
3 Panels

WD50-2PK

2 Panels
Pack of Fittings only

WD50-3PK

3 Panels
Pack of Fittings only



Single Run 60

Max Panel Weight	Max Panel Width	Max Panel Height	Min Panel Thickness	Height Adjustment	Horizontal Adjustment
60kg	1525mm	2400mm	19mm	± 4.5mm	-

Application

Single Run 60 is the most versatile of all slides, with a full 'C' section aluminium track and 4 wheels per hanger, it offers long life, stability and a high capacity of 60kg. Two, quick release plate options allow for either standard straight sliding applications with side feed access or a cavity door application with end feed access. Both offer easy height adjustment with a single spanner (supplied). The Single Run sets are supplied with clip stops or 2 soft close devices. The Cavity Run kits do not include clip stops or soft close.

Kits Available

SR60-20/1 or SR60-S20/1
Track Length: 2000mm,
Single Panel

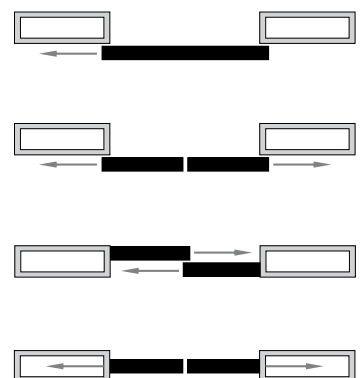
CR60-20/1
Track Length: 2000mm,
Single Panel

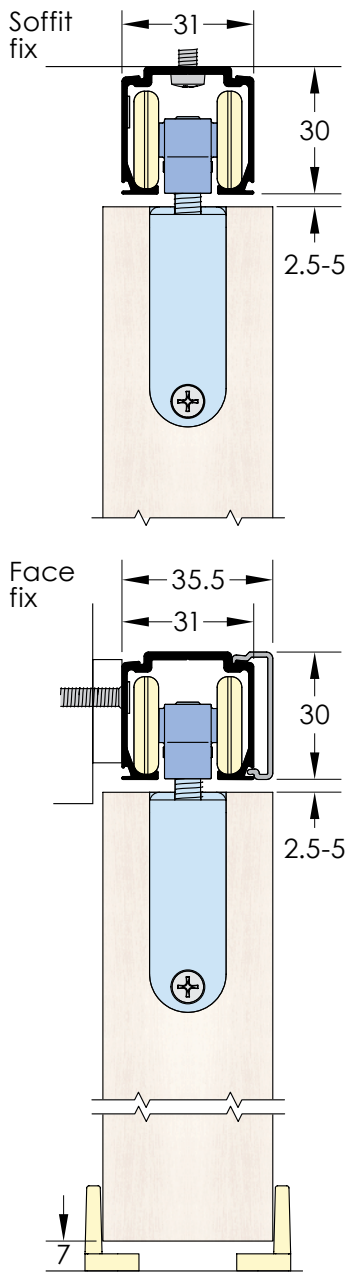
SR60-1PK
Pack of Fittings only

SR60-30/1 or SR60-S30/1
Track Length: 3000mm,
Single Panel

CR60-30/1
Track Length: 3000mm,
Single Panel

CR60-1PK
Pack of Fittings only

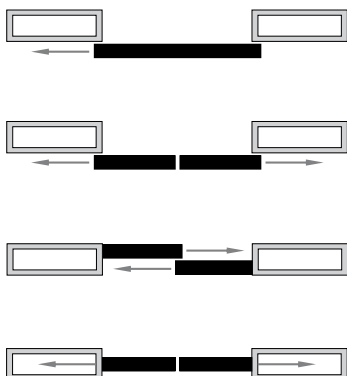




Zero Clearance 60

Max Panel Weight	Max Panel Width	Max Panel Height	Min Panel Thickness	Height Adjustment	Horizontal Adjustment
60kg	1525mm	2400mm	28mm	± 4mm	-

Application



Zero Clearance 60 discreetly conceals the hanger plate inside the top of the door which provides a sleek look for any application. Zero Clearance sets are for standard straight sliding panels while Cavity Clearance is specially designed for pocket doors, all sets are available with clip stops or soft close devices. Zero Clearance sets also offer a face fix option where the track is punched and supplied with aluminium pelmet.

Sets Available

ZC60-20/1 or ZC60-S20/1
Track Length: 2000mm,
Single Panel

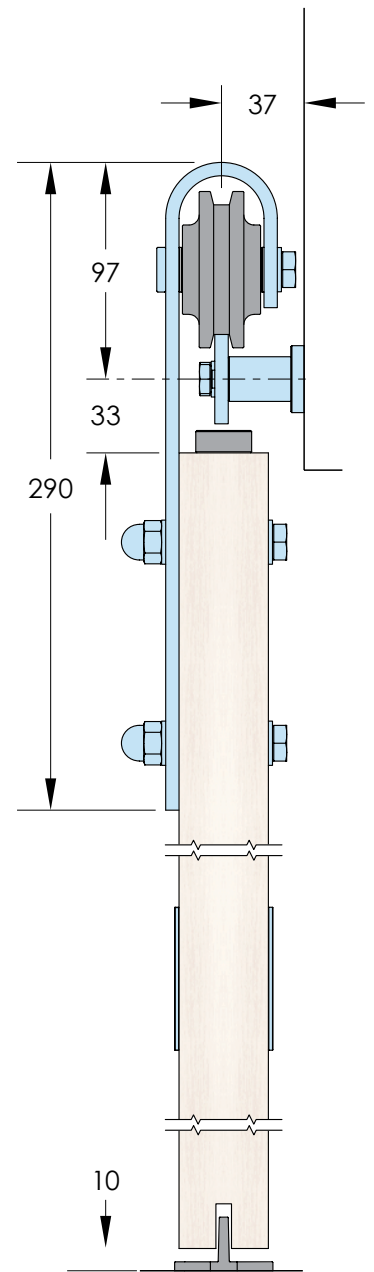
CC60-20/1 or CC60-S20/1
Track Length: 2000mm,
Single Panel

ZC60-1PK
Pack of Fittings only

ZC60-30/1 or ZC60-S30/1
Track Length: 3000mm,
Single Panel

CC60-30/1 or CC60-S30/1
Track Length: 3000mm,
Single Panel

ZC60F-S20/1CA or ZC60F-S20/1PWT
Track Length: 2000mm, Single Panel



Open Bar Rail Timber 80

Max Panel Weight	Max Panel Width	Max Panel Height	Min Panel Thickness	Height Adjustment	Horizontal Adjustment
80kg	1250mm	3000mm	35mm	—	—

Application

Brio's new flat bar system offers a barn door solution for panels up to 80kg in weight and 1.25m in width. This easy to install system uses a precision bearing and nylon tyre which rolls smoothly over a flat bar rail. The face fix straps and rail are available in stainless steel with a brushed satin finish or mild steel with a textured, matt black powder coat. Standard sets include length of rail, hangers, door stops and guide for single panel applications.



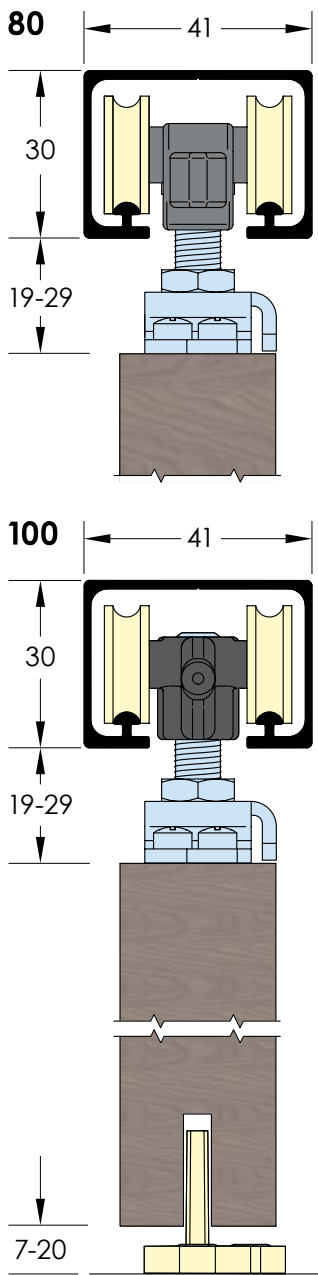
Sets Available

OBF80-20
Rail Length: 2000mm, SS Finish

OBF80-20PB
Rail Length: 2000mm, Black Finish

OBF80-25
Rail Length: 2500mm, SS Finish

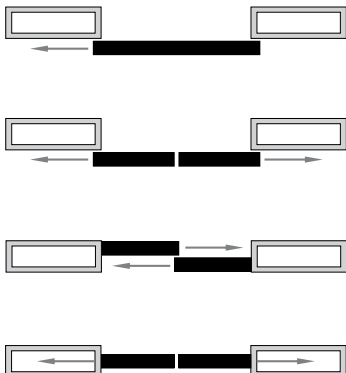
OBF80-25PB
Rail Length: 2500mm, Black Finish



Single Run 80 and 100

Max Panel Weight	Max Panel Width	Max Panel Height	Min Panel Thickness	Height Adjustment	Horizontal Adjustment
80/100kg	2000mm	3000mm	28mm	± 5mm	-

Application



Single Run 80 and Single Run 100 are available as sets or loose parts. These systems bridge residential to light commercial applications for panels of 80kg or 100kg which are likely to be custom made for their application. Single Run 80 uses a structural polymer hanger while Single Run 100 has a cast alloy body. Both systems run inside an aluminium track which is square cut for a contemporary, clean look. Sets are supplied with clip stops as standard but these can be upgraded to soft close devices which operate by catching the moving panel and absorbing its speed before gently pulling it in to the jamb ensuring a quiet stop and protecting small hands from slamming doors.

Sets Available

SR80-20/1
Track Length: 2000mm,
Single Panel

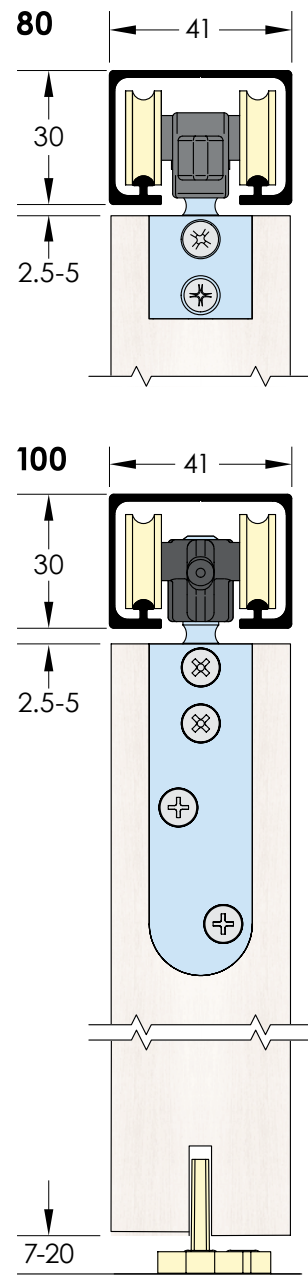
SR80-30/1
Track Length: 3000mm,
Single Panel

SR100-20/1
Track Length: 2000mm,
Single Panel

SR100-30/1
Track Length: 3000mm,
Single Panel

SR80-1PK
80kg Pack of Fittings only

SR100-1PK
100kg Pack of Fittings only



Zero Clearance 80 and 100

Max Panel Weight	Max Panel Width	Max Panel Height	Min Panel Thickness	Height Adjustment	Horizontal Adjustment
80/100kg	2000mm	3000mm	32mm	± 2.0mm	-

Application

Zero Clearance 80 and 100 are the definitive straight sliding systems as panels appear to float just below the track meaning there are no large gaps or hardware to hide. Zero Clearance uses an ingenious sliding rail mechanism rebated into the top of the panel to achieve these ultra low clearances. To adjust the height, simply loosen the end cap and slide the inner sleeve out to gain access to the hanger bolt. When assembled, no further adjustment is possible meaning the panel's height can not slip over time. Brio's soft close accessory is also available, clip stops supplied in sets.

Sets Available

ZC80-20/1

Track Length: 2000mm,
Single Panel

ZC80-30/1

Track Length: 3000mm,
Single Panel

ZC100-20/1

Track Length: 2000mm,
Single Panel

ZC100-30/1

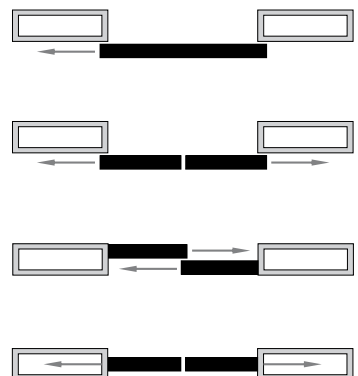
Track Length: 3000mm,
Single Panel

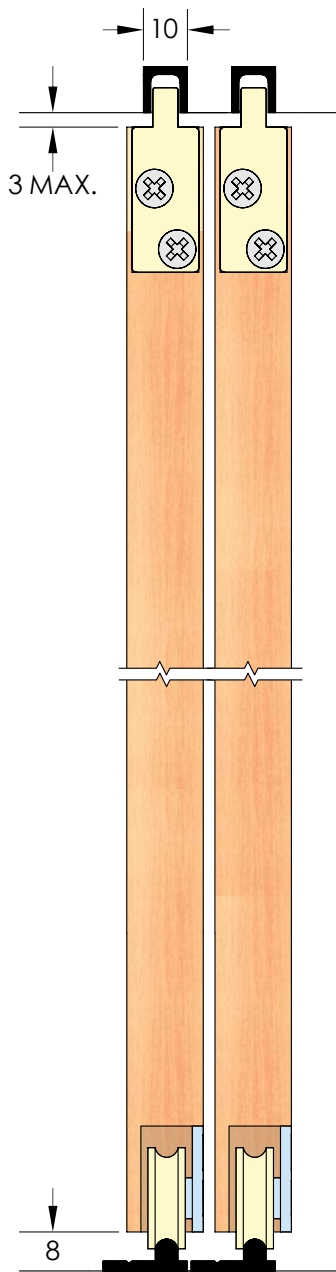
ZC80-1PK

80kg Pack of Fittings only

ZC100-1PK

100kg Pack of Fittings only





Timberoll 25

Max Panel Weight	Max Panel Width	Max Panel Height	Min Panel Thickness	Height Adjustment	Horizontal Adjustment
25kg	900mm	2400mm	16mm	—	—

Application



Timberoll 25 is designed with cabinets in mind, using only the best materials. The body is cast stainless steel, with a nylon tyred, precision bearing. Endurance testing suggests anything else is a compromise. The sealed bearing ensures extended life with contamination being a common cause of failure for bottom rolling systems.

Sets Available

TR25-12/2

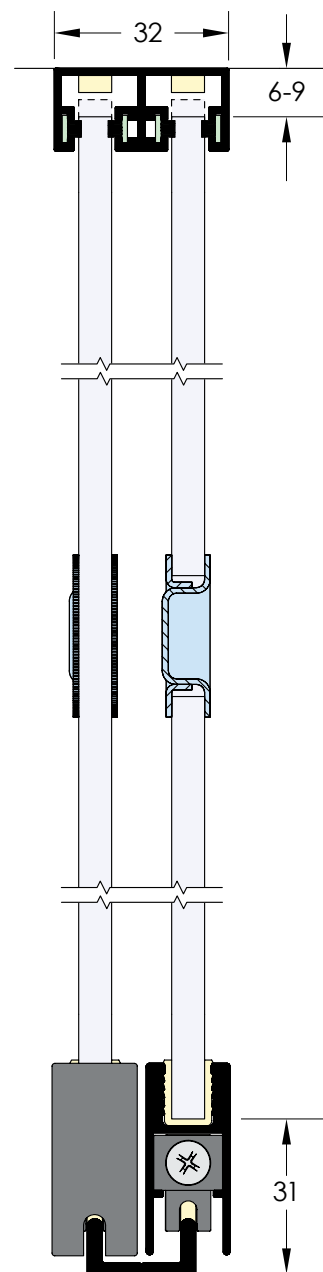
Opening Width: 1200mm, 2 Panels

TR25-15/2

Opening Width: 1500mm, 2 Panels

TR25-18/2

Opening Width: 1800mm, 2 Panels



Glassroll 30 and 50

Max Panel Weight	Max Panel Area	Max Panel Height	Min Panel Thickness	Height Adjustment	Horizontal Adjustment
30/50kg	2.5m² / 3.8m²	—	6mm	± 1.5mm	—

Application

Glassroll is available in 2 weight capacities, 30kg and 50kg. The 30kg version has nylon wheels on bearings and the 50kg is supplied with stainless steel wheels on stainless steel bearings. The 50kg is perfect for heated food cabinets where high temperature may compromise the nylon tyre. Adjustment is possible with the glass panel in place, making installation accurate, quick and easy. For security, Glassroll comes with its own dedicated lock as an optional extra, which fits to the glazing rail.

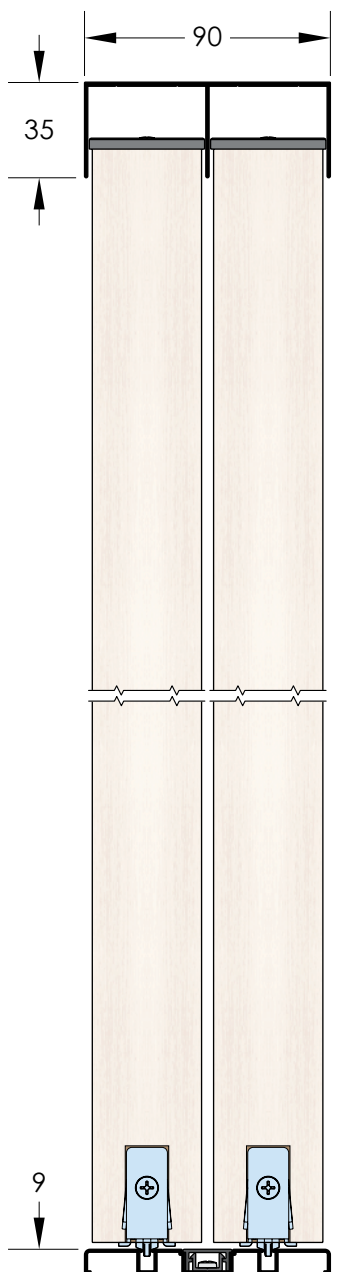
Sets Available (30/50kg)

GR30-12/2 or GR50-12/2
Opening Width: 1200mm, 2 Panels

GR30-18/2 or GR50-18/2
Opening Width: 1800mm, 2 Panels

GR30-15/2 or GR50-15/2
Opening Width: 1500mm, 2 Panels

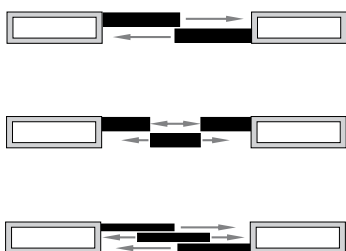




Wardrobe Roll 50

Max Panel Weight	Max Panel Width	Max Panel Height	Min Panel Thickness	Height Adjustment	Horizontal Adjustment
50kg	820mm	2400mm	30mm	± 2.5mm	-

Application



Brio's Wardrobe Roll 50 allows bottom rolling panels to bypass each other effortlessly while the clean lines of the frame make it perfect for neat, built-in wardrobes. The precision bearing with nylon tyre provides whisper quiet operation and long lasting life cycle. Sets are available for 2 and 3 panels in either powder coat white or clear anodised with or without Brio's specifically developed 50kg soft close.

Sets Available

WR50-16/2PWT or WR50S-16/2PWT

Opening Width: 1620mm,
2 Panels, Powder Coat White

WR50-24/3PWT or WR50S-24/3PWT

Opening Width: 2420mm,
3 Panels, Powder Coat White

WR50-1PK

1 Panel, Pack of Fittings only

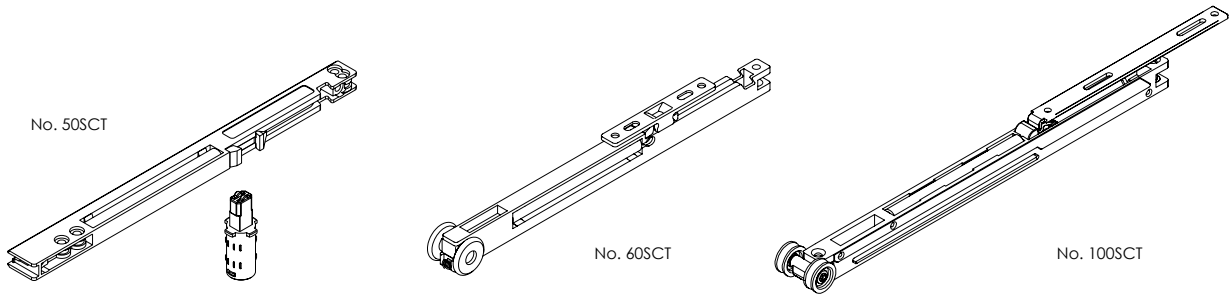
WR50-16/2CA or WR50S-16/2CA

Opening Width: 1620mm,
2 Panels, Clear Anodised

WR50-24/3CA or WR50S-24/3CA

Opening Width: 2420mm,
3 Panels, Clear Anodised

Accessories



No. 50SCT

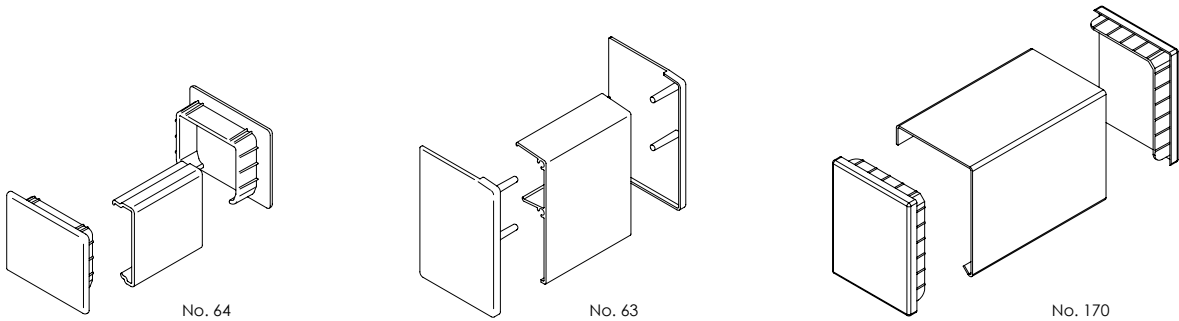
No. 60SCT

No. 100SCT

Soft Close
Wardrobe Roll 50

Soft Close
Single Run 60
Zero Clearance 60

Soft Close
Single Run 80/100
Zero Clearance 80/100



No. 64

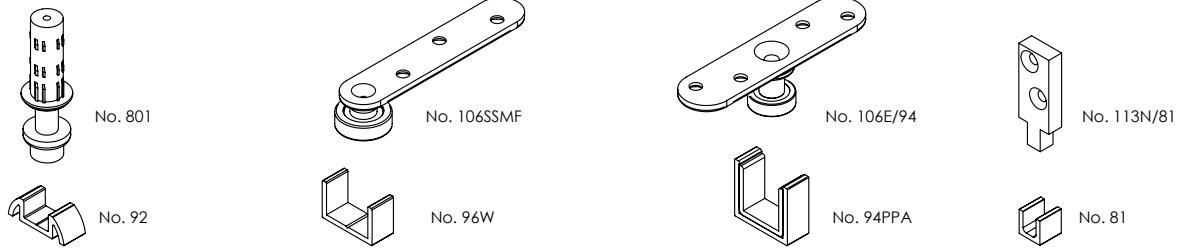
No. 63

No. 170

Pelmet and End Caps
Zero Clearance 60

Pelmet and End Caps
Single Run 60

Pelmet and End Caps
Sprintline 30, Twinwheel 45
Wardrobe Single 50



No. 801

No. 92

No. 106SSMF

No. 96W

No. 106E/94

No. 94PPA

No. 113N/81

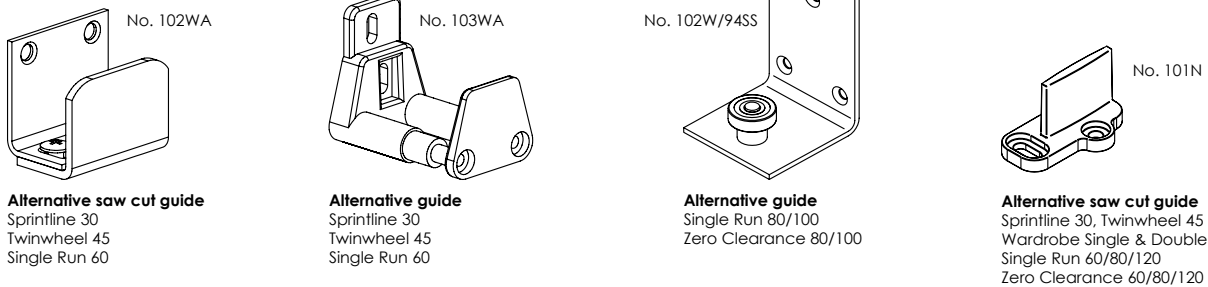
No. 81

Alternative spring loaded guide & channel
Multifold 30
Single Run 60

Alternative guide & channel
Multifold 30
Single Run 80/100
Zero Clearance 80/100

Alternative guide & channel with poly.
Single Run 80/100
Zero Clearance 80/100
Open Bar Rail Timber 80

Alternative guide & channel
Wardrobe



No. 102WA

No. 103WA

No. 102W/94SS

No. 101N

Alternative saw cut guide
Sprintline 30
Twinwheel 45
Single Run 60

Alternative guide
Sprintline 30
Twinwheel 45
Single Run 60

Alternative guide
Single Run 80/100
Zero Clearance 80/100

Alternative saw cut guide
Sprintline 30, Twinwheel 45
Wardrobe Single & Double 50
Single Run 60/80/120
Zero Clearance 60/80/120



No. 527A

No. 805

No. C155LS

No. C153B

Optional lock
Glassroll 30/50

Alternative floor bracket
Multifold 30

Cavity guide
Single Run 80/100
Zero Clearance 80/100

Cavity buffer
Single Run 60/80/100
Zero Clearance 60/80/100

Call Brio for further details on Locks and Pulls

Set Specifier

	Application			Operation			System Dimensions		Accessories		Fixing	
	Wardrobe Cupboard	Room Divider	Pocket Door	Biparting	Bypassing	No. of Panels	Max. Panel Weight	Max. Opening Size	Pelmet	Soft Close	Soffit	Face
Folding												
Bifold 16	●	●				2	16kg	2500mm			●	
Multifold 30	●	●				6	30kg	3900mm			●	
Top Hung Sliding												
Sprintline 30		●		●		1	30kg	2400mm	●			●
Twinwheel 45		●	●	●	●	2	45kg	3320mm	●		●	●
Wardrobe Single 50		●		●		1	50kg	1800mm	●		●	●
Wardrobe Double 50	●			●	●	3	50kg	2400mm			●	
Single Run 60		●	●	●	●	1	60kg	3000mm	●	●	●	●
Zero Clearance 60		●	●	●	●	1	60kg	3000mm	●	●	●	●
Open Bar Rail Timber 80		●		●	●	1	80kg	2500mm				●
Single Run 80 & 100		●		●	●	1	100kg	3000mm		●	●	
Zero Clearance 80 & 100		●		●	●	1	100kg	3000mm		●	●	
Bottom Rolling Sliding												
Timberoll 25	●				●	2	25kg	1800mm				
Glassroll 30 & 50	●				●	2	50kg	1800mm				
Wardrobe Roll 50	●				●	3	50kg	2400mm		●		



Brio®

Brio – Australia

PO Box 604, Chester Hill, 2162
C5 - C7, Regents Park Estate, 391 Park Road,
Regents Park, NSW 2143, Australia
Phone +61 2 8718 6718 Fax +61 2 8718 6719
www.brio.com.au
email: brío.sales@allegion.com

Brio – UK

Unit 30 Gateway West, Kingfisher Boulevard, Newburn Riverside,
Newcastle Upon Tyne, NE15 8NZ, United Kingdom
Phone +44 (0) 191 2291224 Fax +44 (0) 191 2677891
www.briouk.com
email: brío.sales.uk@allegion.com

Brio – USA

85 Mushroom Blvd
Rochester, NY 14623-3201
Toll Free +1 855 586 6251 Phone +1 585 319 5599 Fax +1 585 319 5741
www.briousa.com
email: brío.sales.usa@allegion.com

About Allegion

Allegion (NYSE: ALLE) is a global pioneer in the field of safety and security. We keep people and their property safe, wherever they are, bringing together simple solutions and advanced technology. Allegion is a \$2 billion company, with products sold in almost 130 countries. For more, visit www.brio.com.au

