



SAFETY

Model RBA8300-340 SERIES

PEDESTAL MOUNTED EYE/FACE WASH



□ Model: RBA8300-340

General:

Model RBA8300-340 is a pedestal mounted eye/face wash, with a stainless steel bowl, ABS plastic eye/face wash spray heads, an in-line strainer and 15mm stainless steel stay open ball valve. The unit complies with AS 4775-2007, and is provided with a universal identification sign and a waterproof weekly inspection card.

Fluid Connection:

Max Inlet Pressure	500 kPa
Inlet	15mm female BSP
Waste Outlet	32mm female BSP
Min Supply	15mm

Eye/Face Wash:

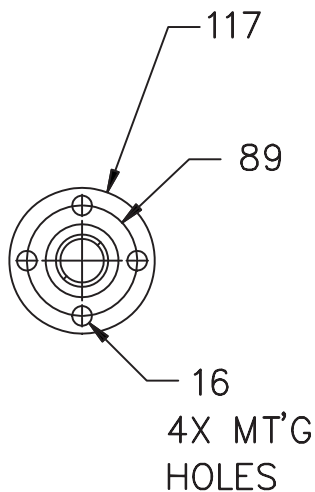
300mm stainless steel bowl with yellow plastic face/eye wash heads and integral flip dust covers, internal controls and filter to remove debris.

Valve: 15mm stainless steel stay open ball valve, fitted with push handle and in-line strainer.

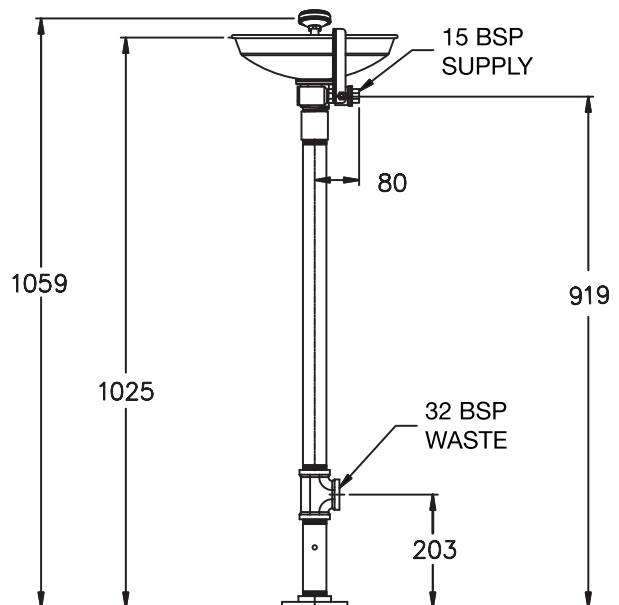
Construction & Installation:

125mm dia stainless steel floor flange, fixings by others. Installation should be in accordance with AS 4775-2007 and appropriate local requirements.

Compliance: AS 4775-2007
ANSI Z358.1-2004



FLANGE MT'G
DETAIL



GENERAL NOTES:

1. ALL DIMENSIONS ARE IN MILLIMETERS

As improvements in the design and performance of RBA products are continuous, specifications may be supplied to change without notice. The illustrations and descriptions herein are applicable to production as of the date of this Technical Data Sheet. Revised 08/10. Printed in Australia. © 2010 by RBA Group TD/Model RBA8300-340/0810