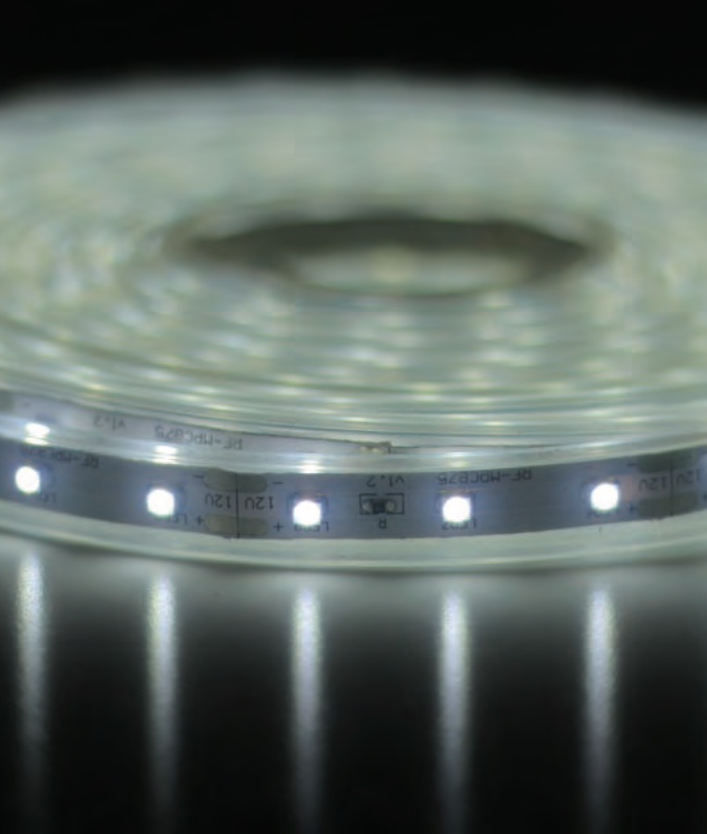


Flat Flex LED Lighting

2011/ 2012 Commercial Product range

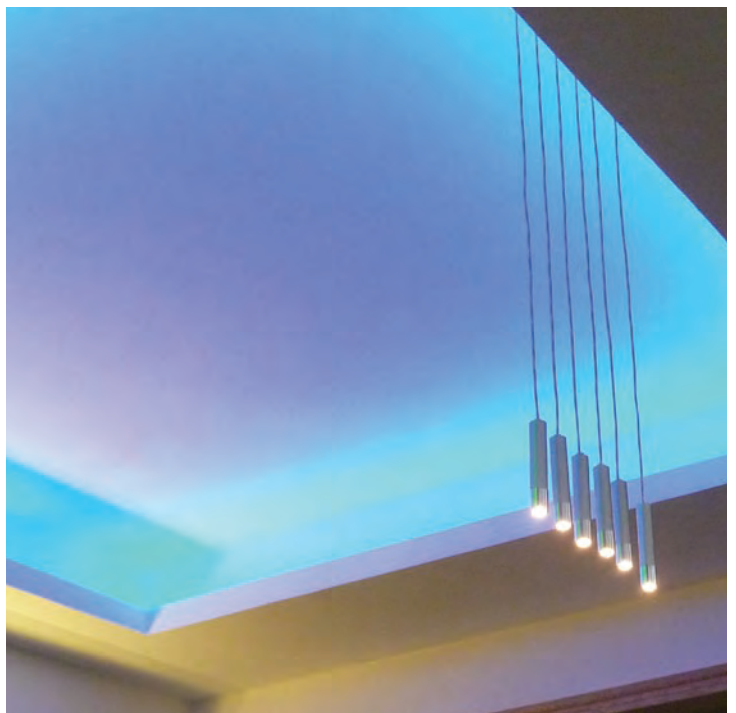
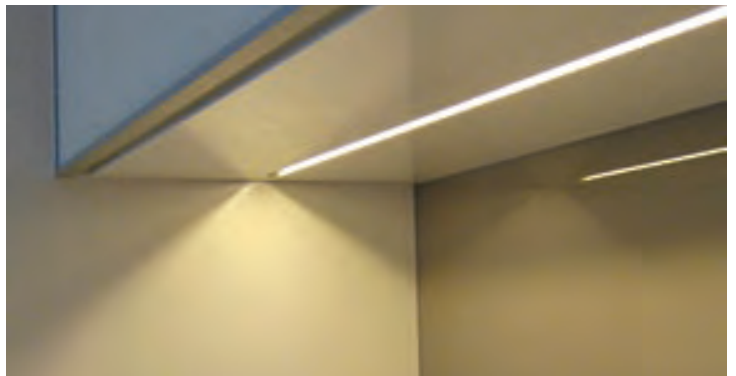
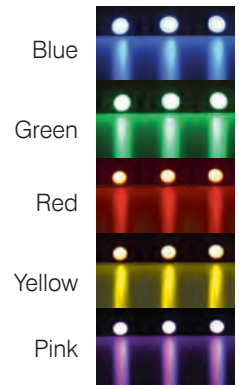




Flat Flex LED represents a versatile, energy saving and aesthetically successful lighting option in a myriad of applications for the professional commercial lighting specifier. Fast replacing cold cathode as a light source for indirect lighting, flat flex LED's miserly dimensions allows it to be installed in the smallest of openings and yet still provide a range of tonal values to suit all ambiances.

Colour

One of the key reasons why LED has been universally adopted as a light source is the range of colour temperatures available. From bright retail display and subtle foyer luminescence to unobtrusive coffer and bulkhead glow, LEDs offer a choice of four standard hues and five coloured options



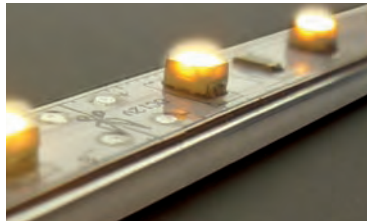


Installation

Being flexible, 3mm thick and less than 12mm wide, flat flex LED can be installed with minimal disruption and simple planning. Two options present themselves:

Mounted on flat aluminium bar

For added stability, flat flex LED strips are fixed (with self-adhesive backing) to flat aluminium bars of suitable length. The bars have the effect of stabilising the temperature of the LEDs, thus prolonging their lifespan. Waterproof option available.



LED mounted on flat aluminium bar (LFB)



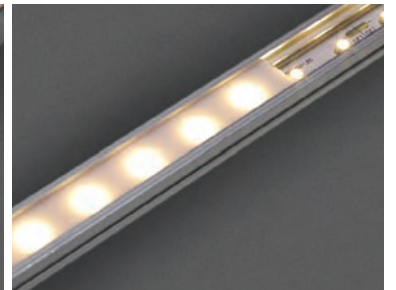
Waterproof option (LFBW)

Mounted in diffuser channels

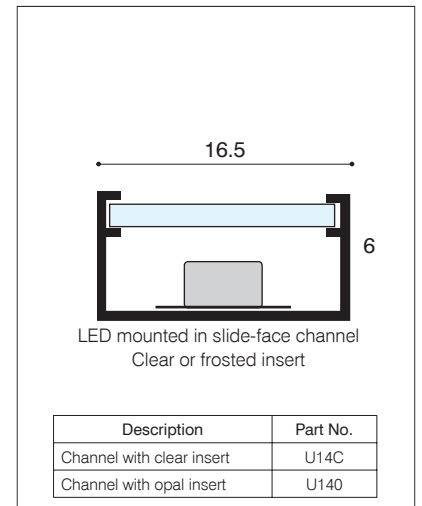
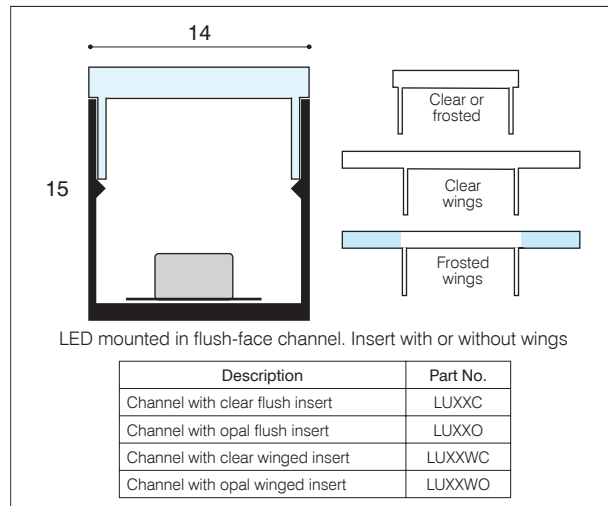
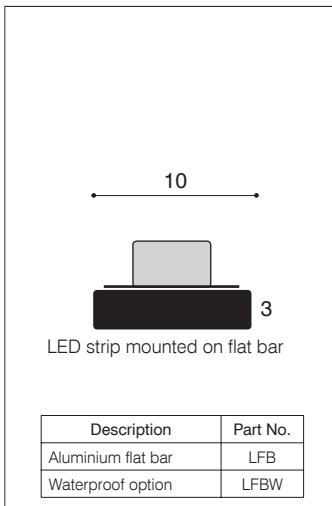
TECLEL supplies extruded aluminium channels with a selection of diffuser options for applications where a diffused light is required or where it is preferred that the bare LEDs are not visible. Standard channels are 14mm wide by 16mm high and may be surface or recessed mounted.



Flush-face channel (LUXXO)



Slide-face channel (U140)



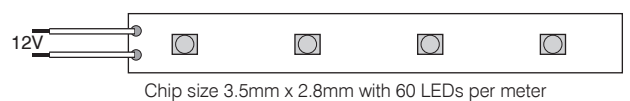
Chip Size

LEDs are available in two common sizes:

Low (3528)

Chip measures 3.5mm x 2.8mm and is ideally suited to applications where a muted light is required or where low power consumption is preferred.

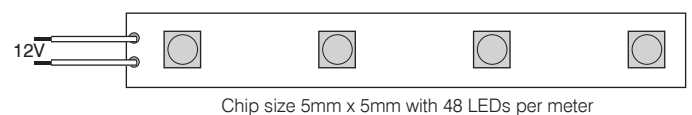
Available in 60 or 120 LEDs per meter.



High (5050)

Chip measures 5mm x 5mm, producing a brighter light.

Available in 48 or 60 LEDs per meter.



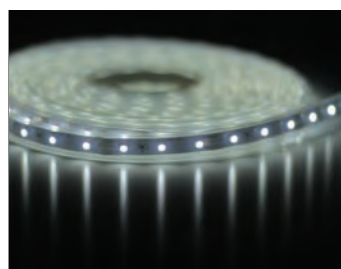
Specifications

LOW (3825)	Chip size: 3.8mm x 2.5mm							
Number of LEDs per m	60				120			
Colour Temperature (k)	2400	2700	3200	6500	2400	2700	3200	6500
Colour description	Incandescent	Warm white	Warm white	Daylight	Incandescent	Warm white	Warm white	Daylight
Item number	LFFLP2400WW60	LFFLP2700WW60	LFFLP3200WW60	LFFLP6500WW60	LFFLP2400WW120	LFFLP2700WW120	LFFLP3200WW120	LFFLP6500WW120
Width x Height (mm)	8mm x 2.5mm				8mm x 2.5mm			
Wattage per 5m	24W				48W			
Operational Voltage	12v DC				12v DC			
Total current (Amps)	2A				4A			
IP Rating	IP20 - 65				IP20 - 65			
Lumens per meter (lm)	360 - 400				700 - 780			
Chip	Epistar, Taiwan				Epistar, Taiwan			
Warranty	3 years				3 years			
Total length (meters)	5m				5m			
Pitch of LEDs (centres)	17mm				8.5mm			
Cuttable increments	5cm				2.5cm			
Life expectancy	50,000 hours				50,000 hours			

HIGH (5050)	Chip size: 5mm x 5mm							
Number of LEDs per m	48				60			
Colour Temperature (k)	2400	2700	3200	6500	2400	2700	3200	6500
Colour description	Incandescent	Warm white	Warm white	Daylight	Incandescent	Warm white	Warm white	Daylight
Item number	LFFHP2400WW48	LFFHP2700WW48	LFFLP3200WW48	LFFHP6500WW48	LFFHP2400WW60	LFFHP2700WW60	LFFHP3200WW60	LFFHP6500WW60
Width x Height (mm)	10mm x 2mm				10mm x 2mm			
Wattage per 5m	57.6W				72W			
Operational Voltage	12v DC				12v DC			
Total current (Amps)	4.8A				6A			
IP Rating	IP20 - 65				IP20 - 65			
Lumens per meter (lm)	720 - 860				900 - 1080			
Chip	Epistar, Taiwan				Epistar, Taiwan			
Warranty	3 years				3 years			
Total length (meters)	5m				5m			
Pitch of LEDs (centres)	21mm				17mm			
Cuttable increments	6.5cm				5.5cm			
Life expectancy	50,000 hours				50,000 hours			

All specifications are correct at time of printing. Tecnow reserves the right to change these specifications at any time without notice. Due to the nature of the printing process, colours shown here may vary from actual colours.

Components



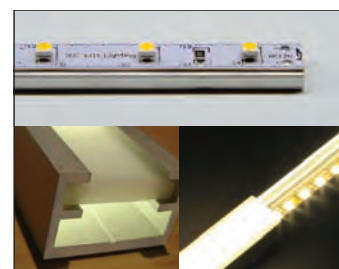
5 m flat flex LED strips



12V DC power supply



Waterproof power supply



Mounting options



TEC-Ledlighting Pty Ltd
 Unit 9 / 7-9 Kent Road, Mascot NSW 2020
 Telephone: (02) 9317 4177 Free Facsimile: 1800 010 210
 Email: sales@tec-ledlighting.com.au