

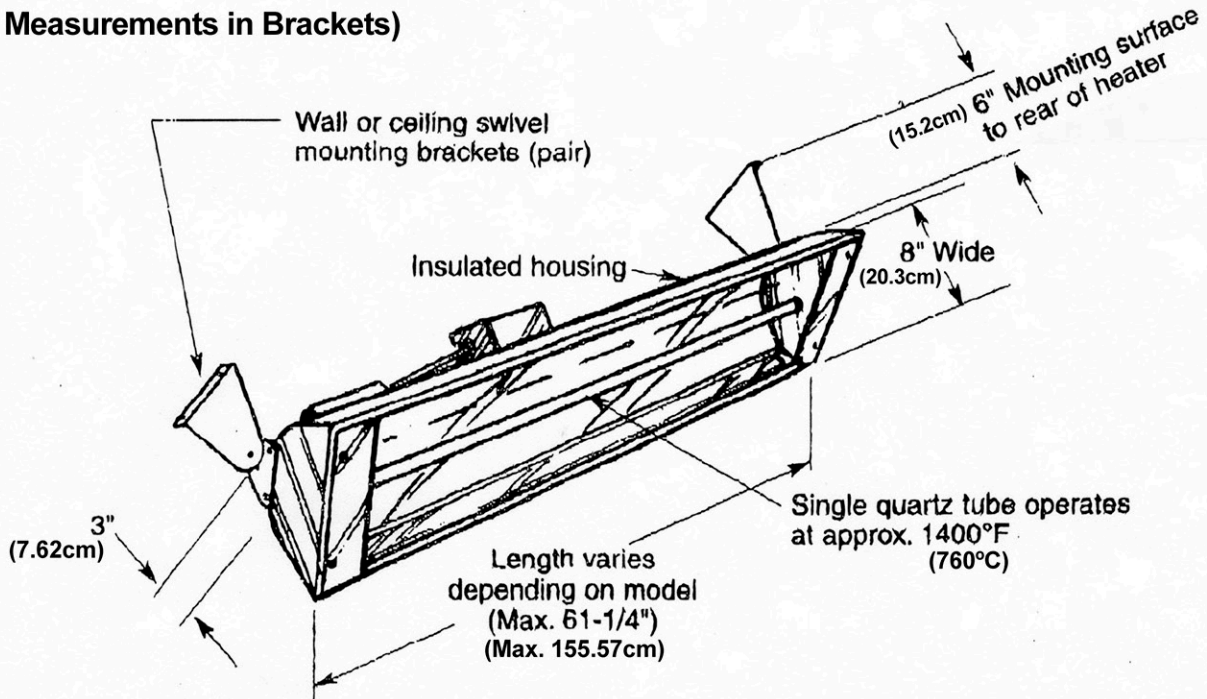


1064 Toorak Road Camberwell VIC 3124  
T: +61 3 9889 6542 F: +61 3 9889 1895  
E: info@kevertonoutdoor.com.au  
www.kevertonoutdoor.com.au

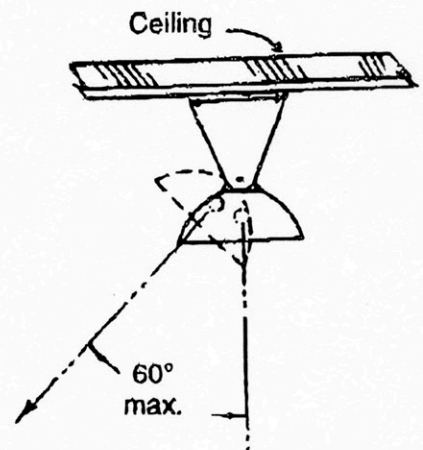
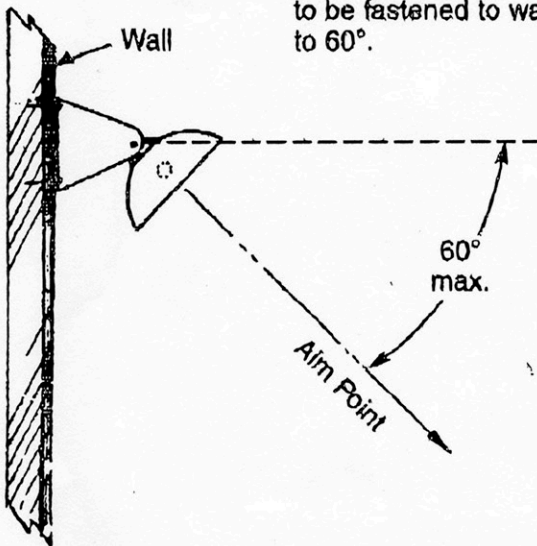
### AUSTRALASIAN EDITION APPLICATION INFORMATION INFRATECH QUARTZ-TUBE ELECTRIC INFRARED RADIANT HEATERS FOR COMFORT HEATING

The following information is designed to help you apply and install INFRATECH QUARTZ TUBE ELECTRIC RADIANT HEATERS in a variety of locations. INFRATECH heaters are one of the most economical of all radiant heaters to buy, and can be some of the least costly to operate. They may also be the most economical to install, depending on the location of electrical power adequate to operate the heater(s) properly.

#### (Metric Measurements in Brackets)



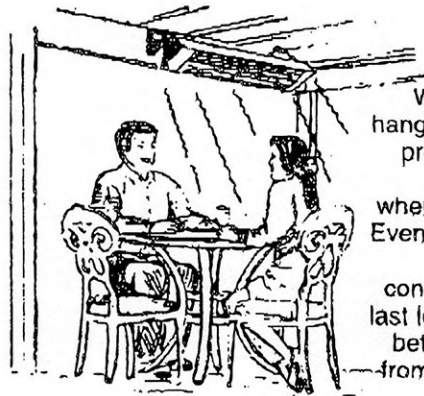
Wall/ceiling brackets are furnished with all heaters. Their use is optional. When used, they allow heater to be fastened to wall or ceiling and then tipped up to 60°.



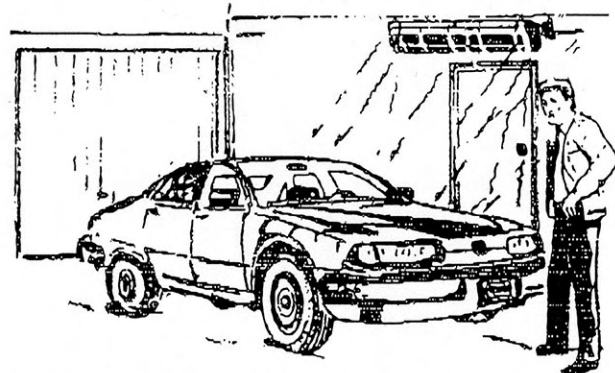
Heater can also be hung level in horizontal position using chains or custom brackets. Heater must be level but can be rotated around its horizontal axle.

## LOCATION SUGGESTIONS

Unless heaters are installed over 12 ft. (3.65m) high, it is generally recommended that radiant heaters be mounted on an angle to assure that radiant warmth is distributed from the side rather than straight down on the heads and shoulders of people being warmed.



When outdoors, hang heaters under protective roof or weather cover whenever possible. Even though heater is all-weather construction, it will last longer and look better if protected from rain and dew.



Install fixture to heat the area from the "cold side" if practical. This helps compensate for increased body heat losses on the cold side.

### NOT RECOMMENDED



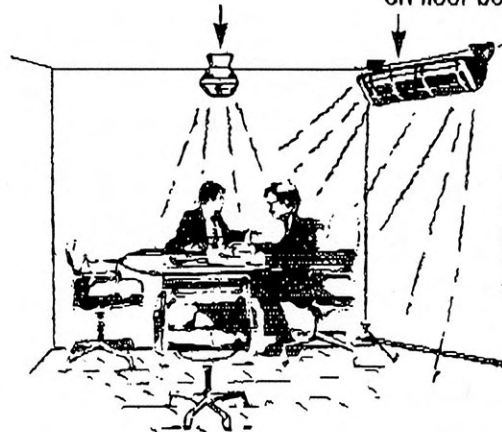
Head too close, Feet too far away.

### RECOMMENDED

30 to 60 degrees from horizontal, face down. Best angle approx. 45°



Aim point should be at feet, or on floor behind worker or user.

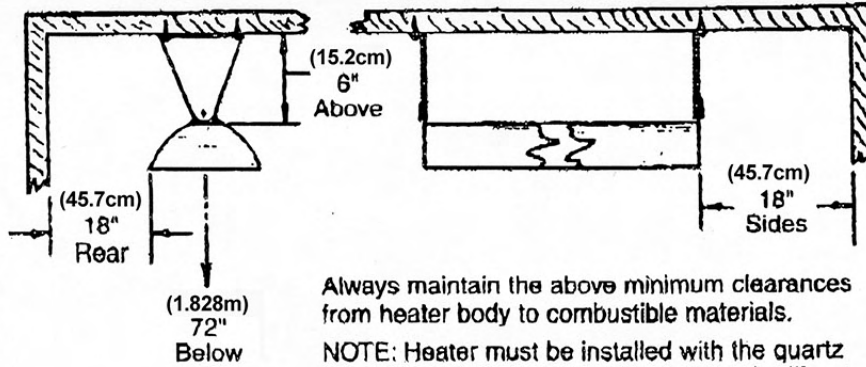


Warm floor re-radiates heat. Warm air rises from floor. Some heat reflects from floor.

Mounting a heater directly over a work table or other obstruction will block radiation, primarily heating the object. It is preferable to move the heater to the side, allowing it to heat the floor as well.

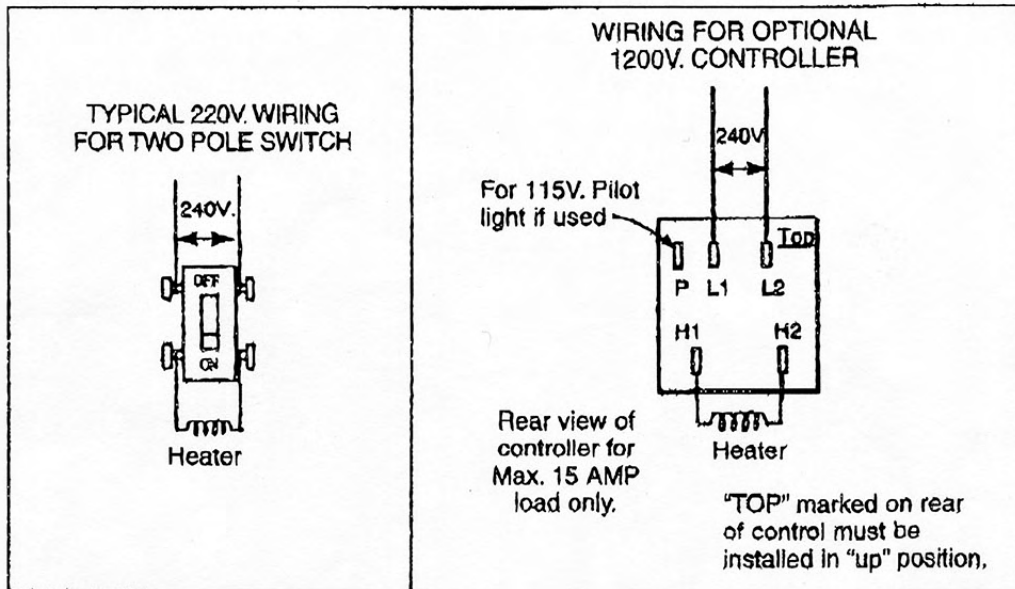
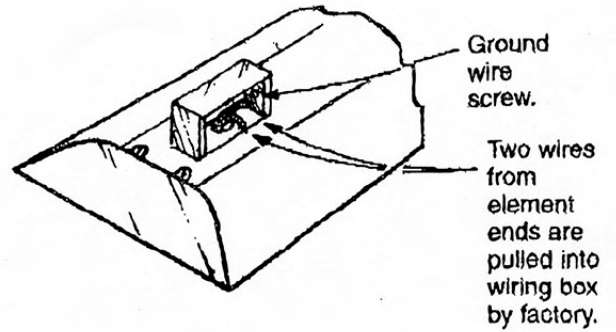
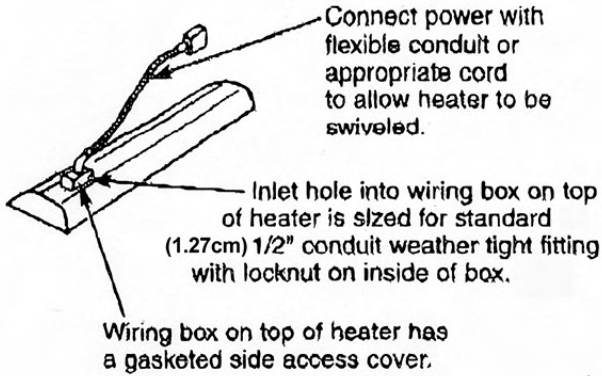
### GENERAL NOTES:

1. INFRATECH RADIANT HEATERS are furnished with wall/ceiling mount swivel brackets. These brackets may be discarded when the heater is hung with chains or other special bracketing.
2. See sales literature and price list for full listing of models, descriptions, amperages, and voltages.
3. For comfort heating, it is usually best to beam radiant heat onto people from two sides rather than from just one side. There are times when this is not practical. The following chart is for warming from one side only.
4. If insufficient overhead clearance exists to allow mounting at the recommended heights, heaters may be mounted lower and tipped up at any angle. At lower mounting heights, however, the heater is closer to the area of use and could prove too warm for people close to the heater.
5. At times, especially when the mounting height must be quite low, an increased number of smaller heaters can help prevent overheating.
6. Heaters up to 15 amps can be used with the simple controller described on the price sheet. This controller, which is actually a percentage timer, allows the heater to be turned down to the precise amount of heat required. In critical commercial applications, such as in restaurants where patrons are forced to sit in one place in front of a heater, it is highly recommended that you use heaters rated under 15 amps and use this controller.



Always maintain the above minimum clearances from heater body to combustible materials.

NOTE: Heater must be installed with the quartz tube horizontally level. For maximum tube life, use a level on body of heater to find level position.



Use thin (8.73mm) 11/32" wrench to hold inside nut. Nuts must be tight.

Connect High Temp Stainless terminal on wire ends to element ends.

