



Installation

FabriTRAK® can be attached to Plasterboard surfaces, concrete block, concrete or directly to Rondo® Steel or timber studs.

FabriTRAK® will correct problems in the wall appearance such as unevenness.

Fabric Selection Guidelines:

Almost any fabric can be used however:

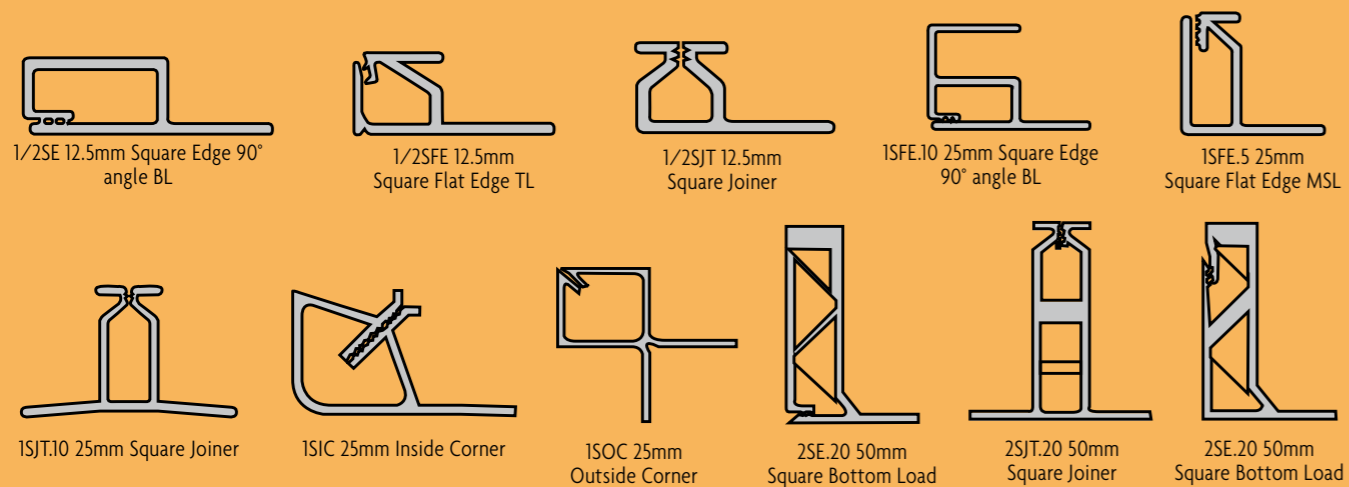
- Fabric must be upholstery weight
- Fabric must be opaque (no-read through)
- Fabric must have a fire rating that conforms to ASBC code requirements
- Fabric must not be paper or latex backed as the backing inhibits the stretch of the fabric.

Fabric must not contain more than 15% of Rayon, Viscose, Acetate, Spun Nylon or Lynton as these fibres have an affinity for moisture, and under high humidity they may lose their stability, making them unstable for a stretched application.

Visit the FabriTRAK® website on
fabritrak.com

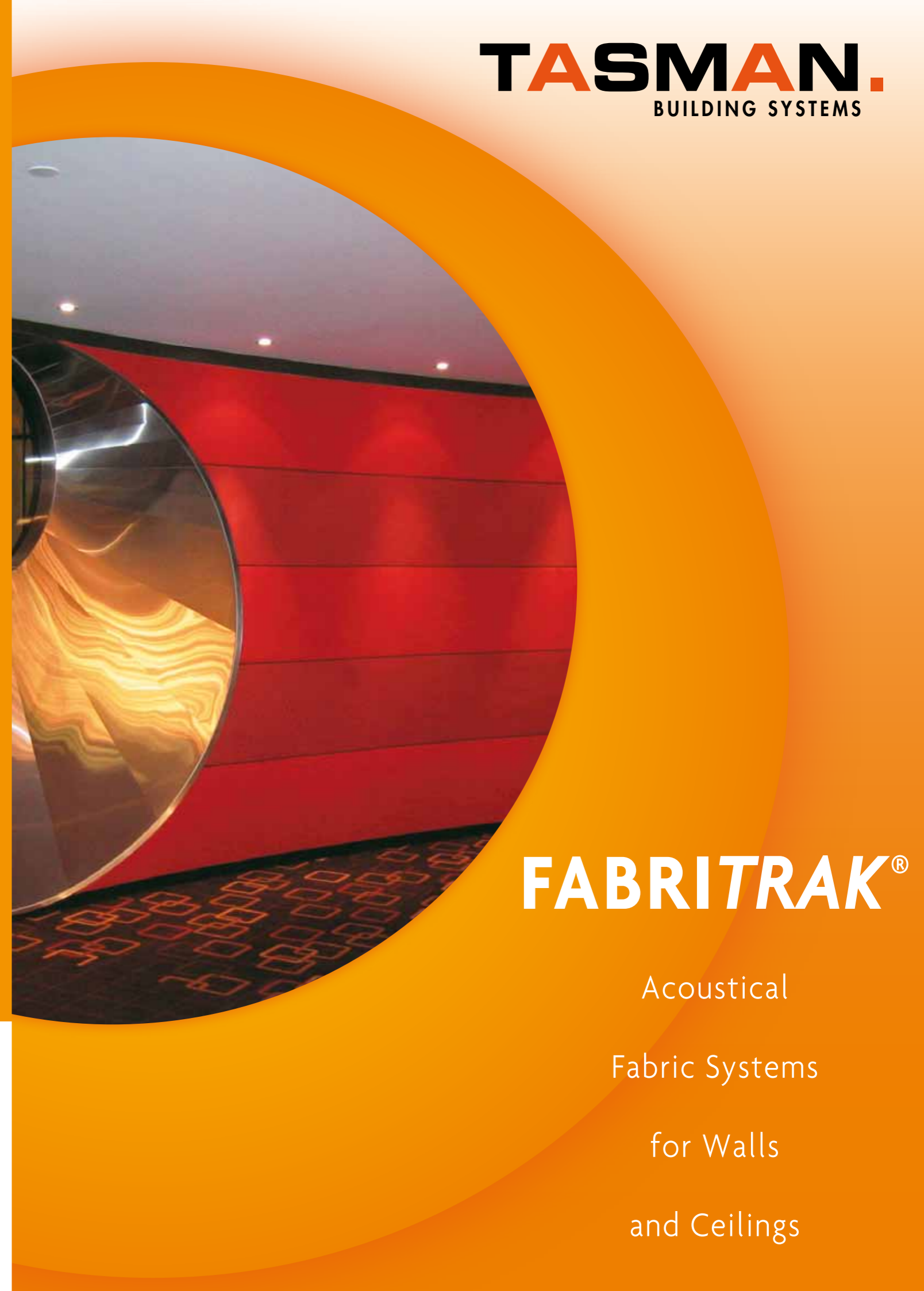
FABRITRAK® Standard Edge Profiles (Not to scale)

Standard profiles are square edge in 12.5mm, 25mm and 50mm thicknesses. Beveled Edges and Radius edge are available by special order



The information in this leaflet is issued in good faith. Tasman Building Systems can accept no responsibility for omissions or errors in content or interpretation. Tasman Building Systems is a Fletcher Building Company

Please contact the following FABRITRAK®
subdealer for further information



FABRITRAK®

Acoustical

Fabric Systems

for Walls

and Ceilings

FABRITRAK®

the Ultimate
in Acoustical
Fabric Systems

FABRITRAK® - how it works

The FabriTRAK® System is the ultimate in Acoustical Fabric Systems for walls and ceiling applications.

FabriTRAK® unique engineered profiles each have a custom application to suit your design. These profiles then form a flexible framework where an acoustic or non-acoustic infill is applied. Fabric is then dressed, stretched taut and interlocked back into the superior retaining jaw which is molded within the profile providing an immaculate finish.

FabriTRAK® varied range of profiles allows the designer to create a unique and distinctive design solution for their project.

FabriTRAK® allows for the removal and replacement of damaged, soiled or out-dated fabrics within the framework without disturbing or damaging any fabric surrounds or finishes.

The FabriTRAK® System can be applied to walls, ceilings, doors, columns, archways and open office partitions.

FABRITRAK® - acoustics

FabriTRAK® acoustic performance is dependent on the specified acoustic material of choice. This acoustic material is used as a typical infill behind the specified fabric facing. FabriTRAK® is widely specified for typical as well as more challenging acoustic environments.

Suitable acoustic infills include;

- Basotect
- Mineral wool
- Dense Fiberglass core board.

Standard depths of 12.5mm, 25mm and 50mm can be customised for any thickness.

These are examples only

Sound Absorption	125	250	500	1000	2000	4000	NRC
12.5mm Acoustic	0.18	0.10	0.26	0.59	0.92	0.81	0.42
25mm Acoustic	0.06	0.38	0.93	1.10	1.10	1.00	0.88
50mm Acoustic	0.35	0.91	1.15	1.12	1.08	0.93	1.06

Typical FabriTRAK® acoustic applications are;

- Audio-visual rooms
- Executive Dining Rooms
- Auditoriums
- Executive Offices
- Boardrooms
- Meeting Rooms
- Ballrooms
- Museums
- Call Centers
- Open Office Areas
- Computer rooms
- Reception Areas
- Conference Rooms
- Restaurants
- Corridors
- Sound Studios
- Churches and places of Worship
- Training Centers
- Lift Cabs
- Foyers

FABRITRAK® - fabrics

FabriTRAK® is compatible with most available screen fabrics from your commercial fabric supplier which would include budget range to exclusive silks. This gives designers a wider range of choice of fabrics to specify.

All final approvals of fabrics of choice should be submitted to your FabriTRAK® representative to ensure you get the correct advice on FabriTRAK® system compatibility.

Fabric Selection Guidelines;

- Fabric to be upholstery weight
- No read-through
- Fire rated to AS & BCA
- Fabric cannot be paper or Latex backed as it inhibits the stretching of the fabric

Please ensure that fabrics chosen containing fibers that have an affinity for moisture may lose their stability, making them unsuitable for stretched FabriTRAK® applications.

Acoustic ArtPanel

This technology by FabriTRAK® allows designers to provide customised printed stretched fabrics which can incorporate logos, graphics or art images of choice which is then applied onto the chosen FabriTRAK® profile.

FABRITRAK® - installation

Site assembly allows full flexibility of the FabriTRAK® System making it an ideal application for;

- Straight or Curved walls and ceilings
- Matching into existing finishes
- Irregular and complex shapes
- Flat and uneven surfaces

FabriTRAK® can be attached to plasterboard surfaces, concrete block, concrete or direct onto steel or timber studs.

Typical FABRITRAK® Section Details

