

Brio®



Brio® where ideas unfold

Brio® Open Rail

Top hung straight sliding architectural systems
for panels up to 150kg

Brio® where ideas unfold

Watch your adventurous architectural ideas unfold into exciting reality with the Brio range of sliding and folding door hardware.

Brio is passionate about shaping the spaces in which people live, work and play. With subsidiaries in the UK and USA – Brio is recognised by architects worldwide as a leading design and manufacturing company.

Brio's R&D department brings a strong design element to the business, developing and testing ground breaking concepts that continue to be at the forefront of the industry.

So it's no surprise our name Brio translates to Energy, Spirit and Vitality – the core values that drive us to always discover new solutions for our customers.

We are committed to the continuous improvement of quality. That is why Brio, located in Sydney, is certified to Quality Management System AS/NZS ISO 9001:2008.

Brio, part of the Allegion family of brands

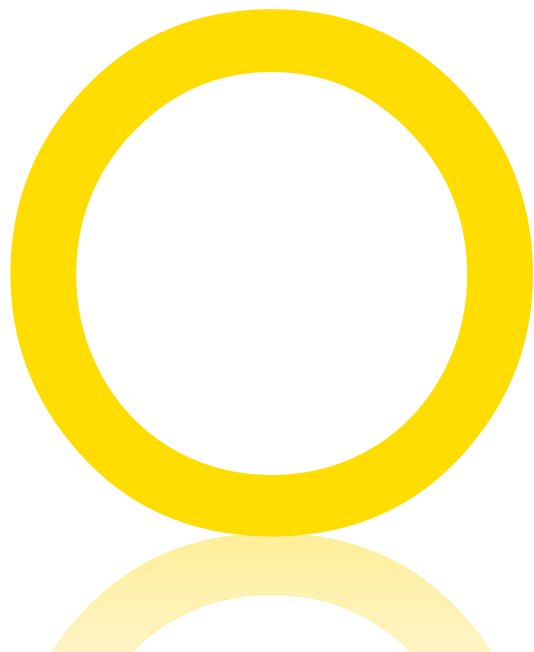




Open Bar Rail Timber

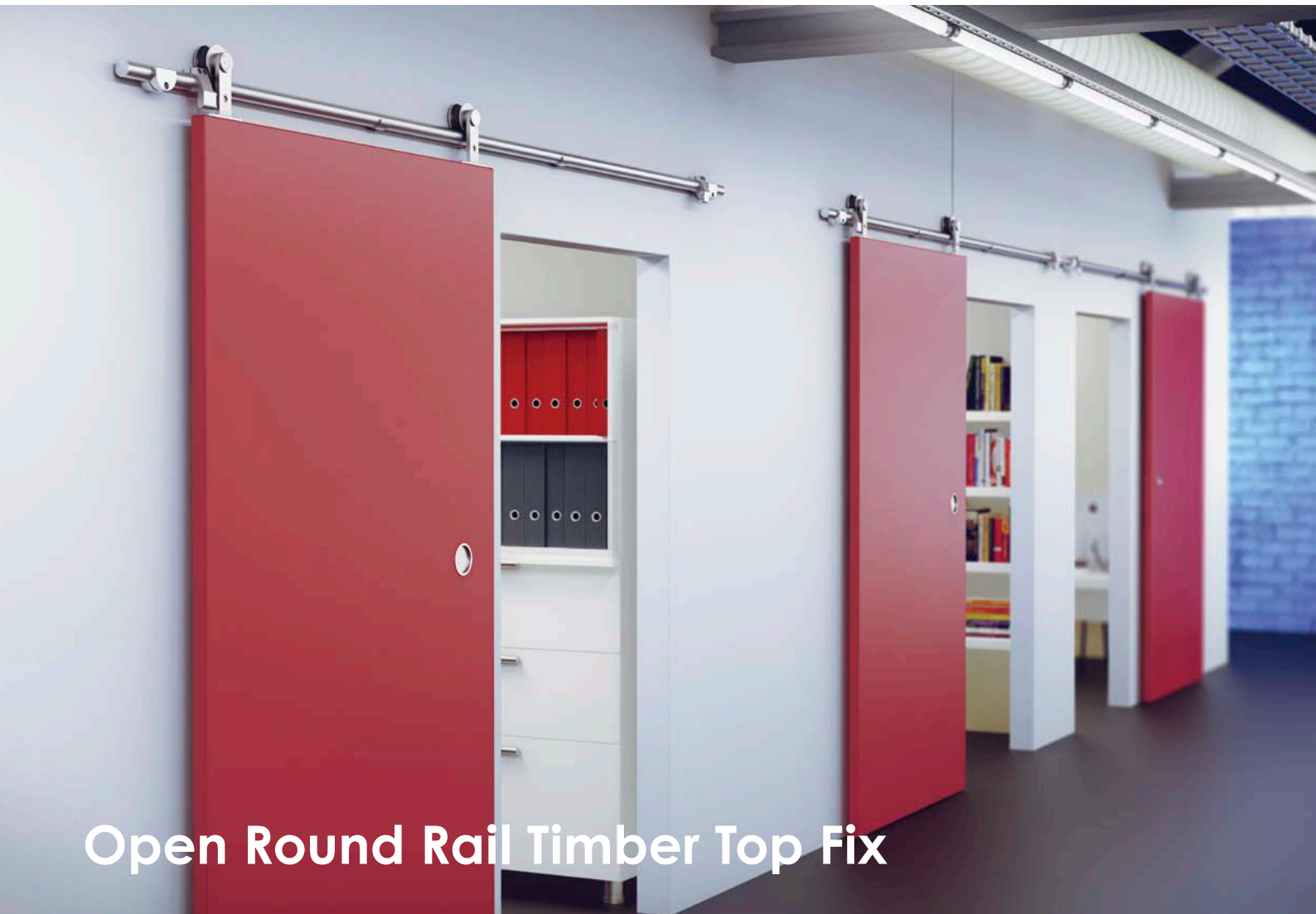
Brio's new flat bar system for their Open Rail Range offers a barn door solution for panels up to 80kg in weight and 1.25m in width. This easy to install system uses a precision bearing and nylon tyre which rolls smoothly over a flat bar rail. The face fix straps and rail are available in stainless steel with a brushed satin finish or in mild steel with a textured, matt black powder coat.

Standard kits include length of rail, hangers, door stops and guide for single panel applications. A joining bracket is available to dress bi-parting applications where two door systems are used.





Open Round Rail Timber Face Fix



Open Round Rail Timber Top Fix



Open Round Rail Timber Face Fix

Brio's Open Round Rail system offers face fix hangers for timber panels 40mm thick and up to 100kg in capacity. The 304 stainless steel rollers utilise a sealed precision bearing with inlaid tyre which runs on a stainless steel, round rail which centralises the panel and conceals the support brackets.

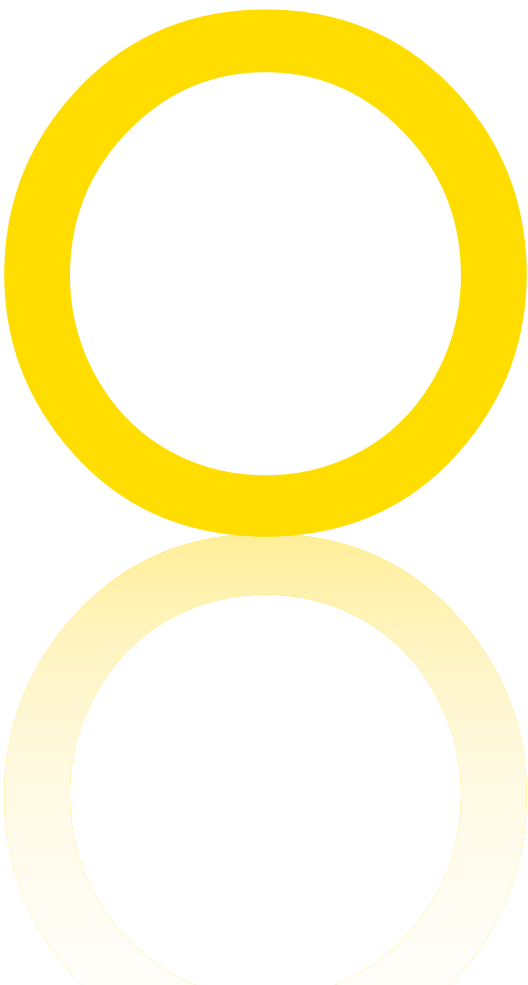
Open Round Rail Timber and Glass systems are available in PVD black finish or brushed stainless steel. PVD black offers a contemporary aesthetic without introducing the risk of finish deterioration like powder coat can.

These systems are supplied with heavy duty door stops but can also operate with our soft stop accessory for either the left or right hand side of the opening. The soft stop performs as a damper which absorbs momentum of the door to produce a softer and quieter operation when opening or closing the panel.

Open Round Rail Timber Top Fix

With easy installation and exposed rail design, the versatile top fix system is suitable for timber panels in the home or office. Our sealed precision bearing and nylon inlaid tyre once again ensures the 304 stainless steel rollers will operate smoothly and quietly for years to come.

An array of bottom guide options make the Brio Open Round Rail Timber systems suitable for any application for panels up to 100kg. Open Rail Timber guide options are shown on page 11.







Open Round Rail Glass

Frameless glass panels create a timeless style suited to today's minimalist trend. Whether in an office space or bathroom suite, Brio's Open Round Rail Glass will enhance a minimalist appearance with 304 stainless steel strap fixings and exposed rail design. The soft stop accessory and PVD black finish are also available, making this system even more desirable.

The universal stainless steel guide is suitable for toughened glass panels of 8, 10 and 12mm thick, up to a capacity of 100kg. The stainless steel round rail and sealed precision bearing with nylon inlaid tyre will perform effortlessly every time.

Open Square Rail Timber

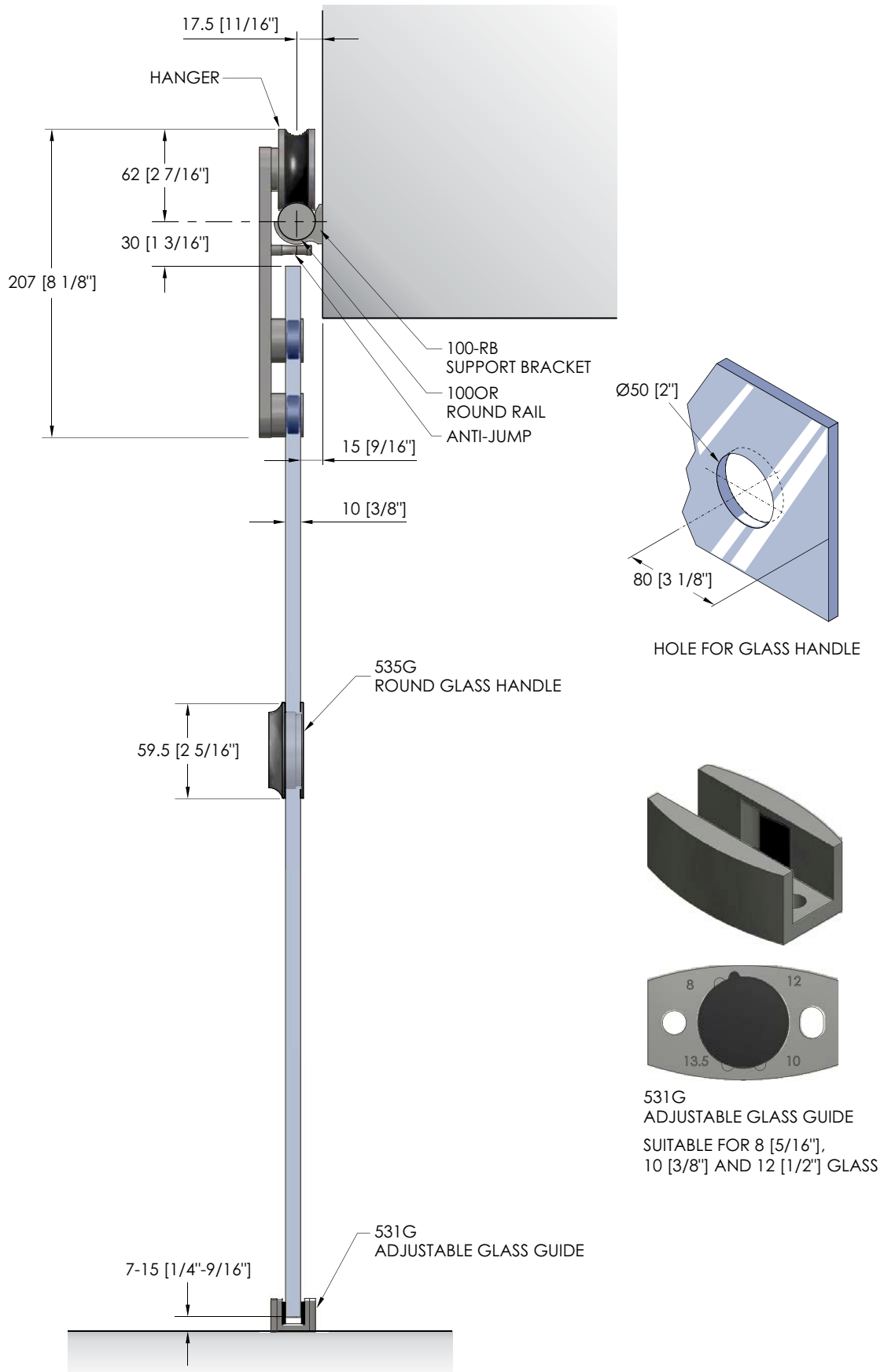
The heavy duty industrial appearance of the Brio Open Square Rail Timber will suit any contemporary interior and with capacity of 150kg and panels at 2m wide, the system is sure to impress. Exposed precision bearings and 304 stainless steel strap fixings offer a unique industrial aesthetic which is in high demand for residential and commercial applications. The Open Square Rail Timber system is also available in PVD Black making it a true stand out product.

Multiple guide options allow these large panels to operate with or without a floor channel and so interiors are enhanced with uninterrupted flooring. Long life cycle and quality performance are assured with this robust system whether used in a rustic interior or modern workplace.



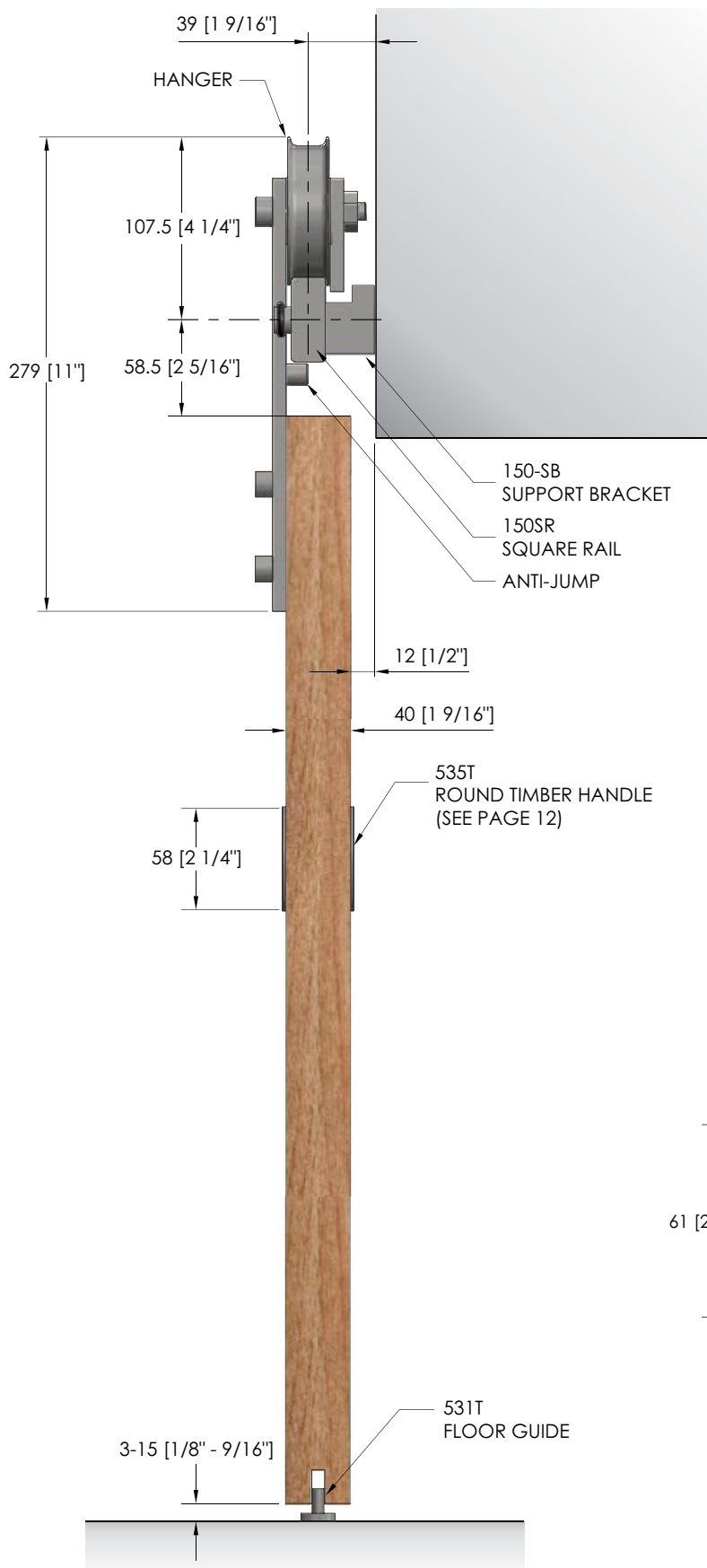
Open Round Rail Glass

ORG100 Pack Shown

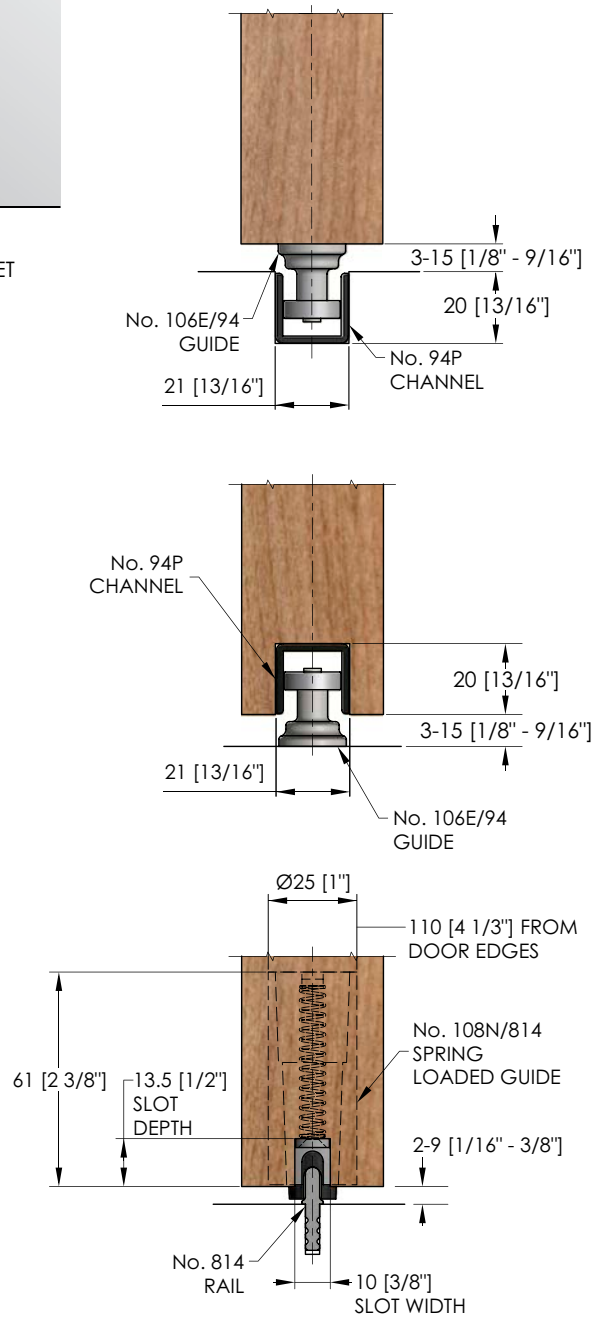


Open Square Rail Timber

OST150 Pack Shown

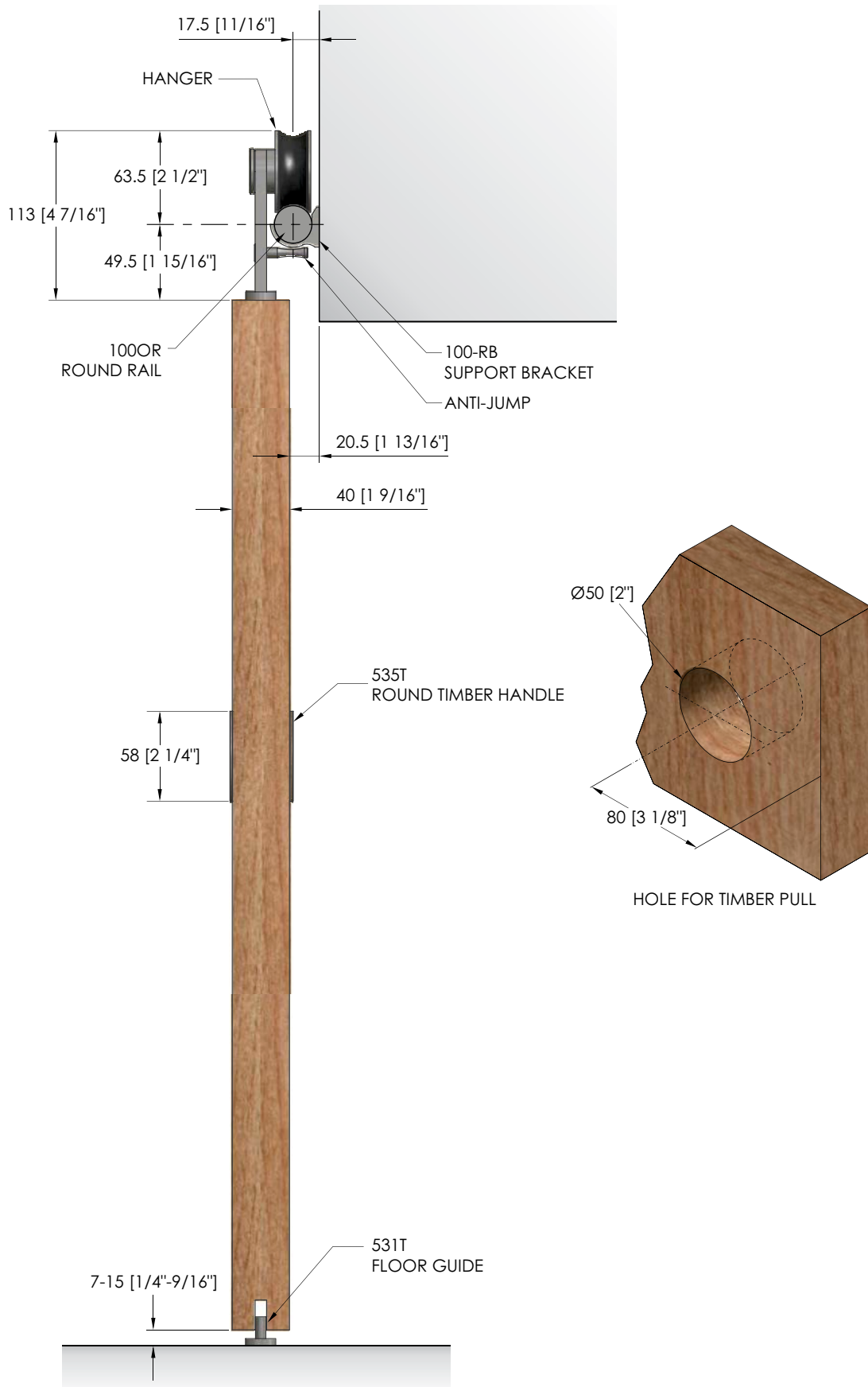


OPTIONAL GUIDES



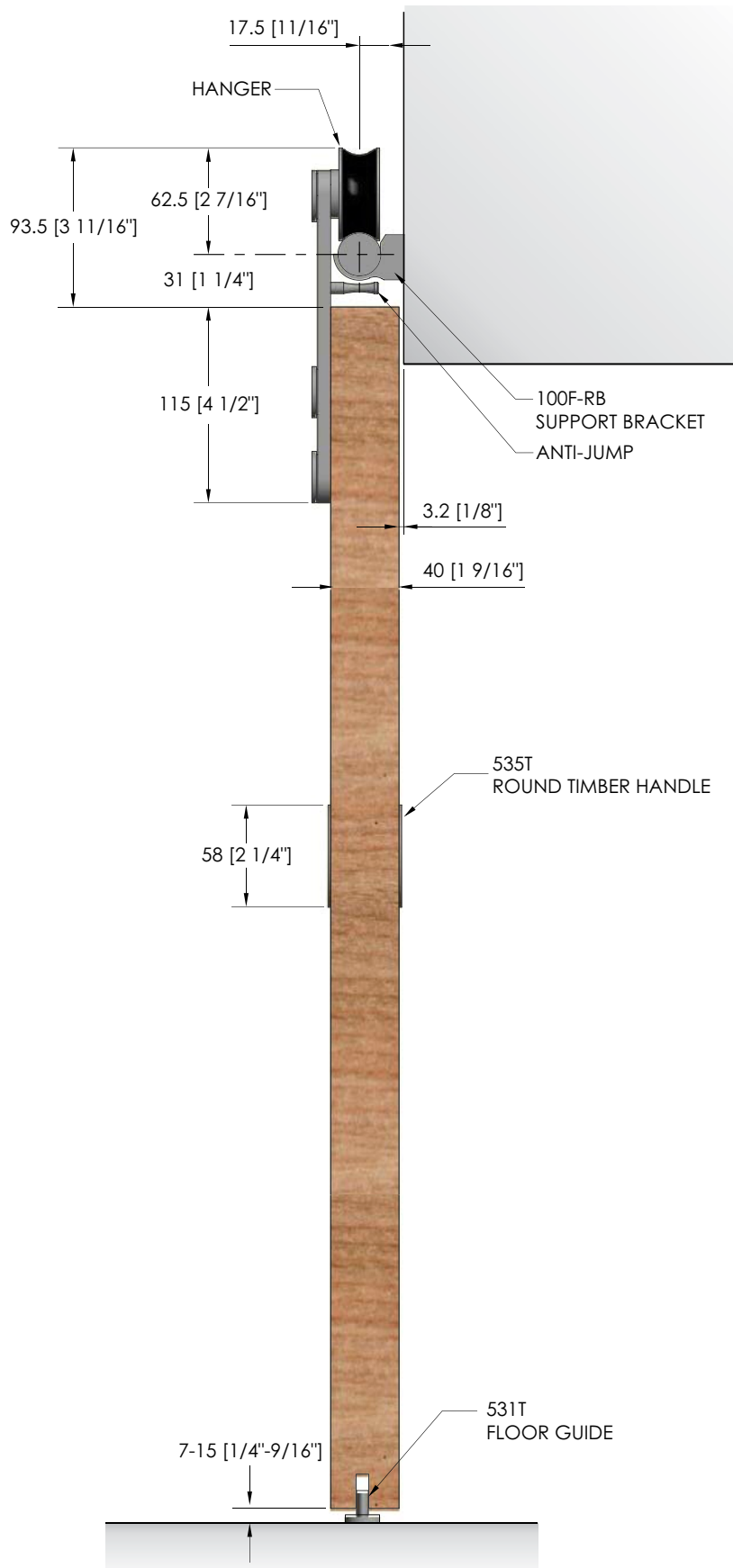
Open Round Rail Timber Top Fix

ORT100 Pack Shown



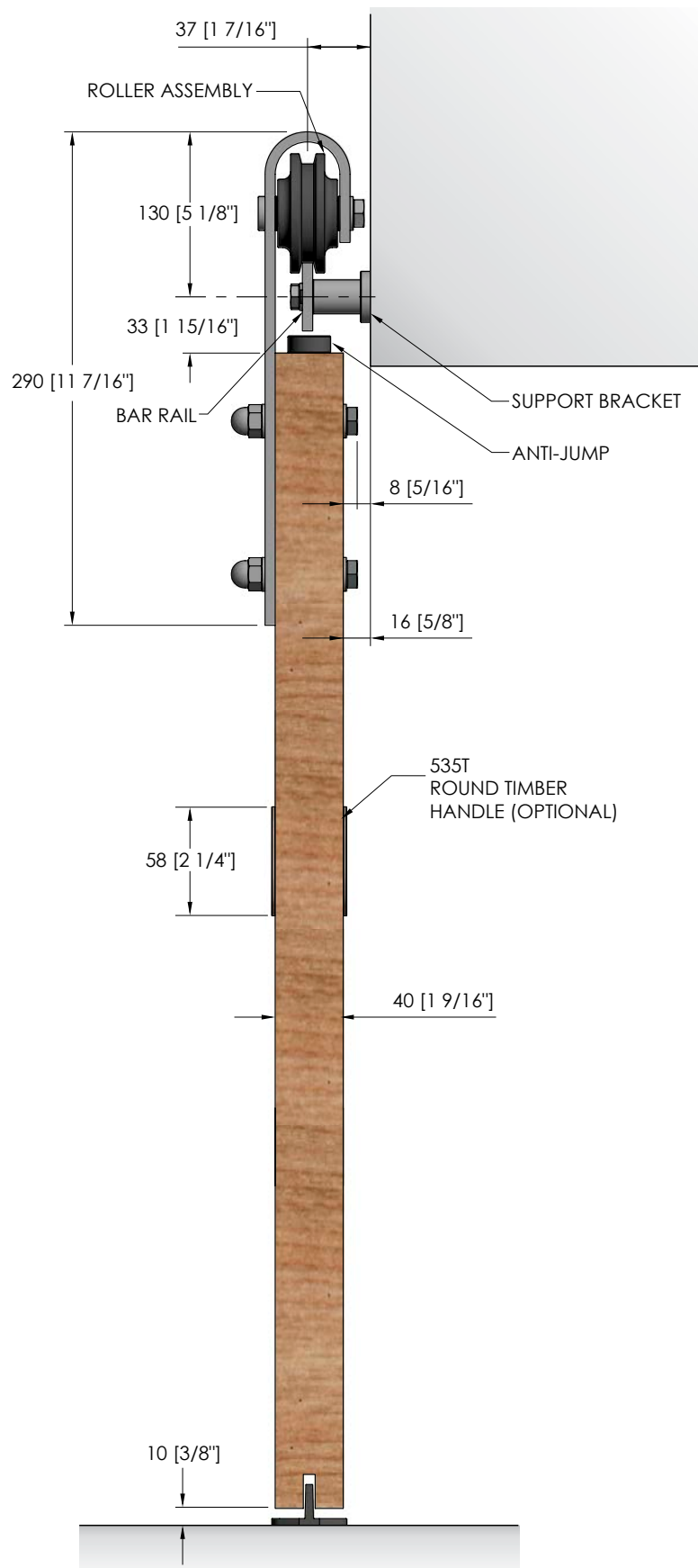
Open Round Rail Timber Face Fix

ORF100 Pack Shown



Open Bar Rail Timber

OBF80 Pack Shown



Specifications

Open Bar Rail

Panel Specification		
Maximum Panel Weight		80kg
Maximum Panel Height		3000mm
Maximum Panel Width		1250mm
Maximum Panel Thickness		44mm
Minimum Panel Weight		35mm
Pack Sets*	Stainless Steel	Mild Steel Powder Coat
2m Length Rail (Panel ≤ 1000mm)	OBF80-20	OBF80-20PB
2.5m Length Rail (Panel ≤ 1250mm)	OBF80-25	OBF80-25PB
Accessories		
Joining Bracket	80B-JB	80B-JBPB

*Pack sets include rail, 2 hangers, doorstops, guide, brackets and fixings

Open Round and Square Rail

Panel Specification	Glass		Timber			
Maximum Panel Weight	100kg		150kg			
Maximum Panel Height	3000mm		3000mm			
Maximum Panel Width	2000mm		2000mm			
Maximum Panel Thickness	12mm		44mm			
Minimum Panel Weight	8mm		35mm			
Pack Sets*	Single Panel for Round Rail Face Fix		ORG100	ORG100PR	ORF100	ORF100PR
Single Panel for Round Rail Top Fix		-		ORT100	ORT100PR	
Single Panel for Square Rail		-		OST150	OST150PR	
Optional Guides	Stainless Precision Bearing		-		106E/94	
Nylon Spring Loaded Guide		-		108N/814		
Channel for Optional Guides	Polypropylene (for 106E/94)		-		94P	
Anodised Aluminium support and polypropylene		-		94PPA		
Anodised Aluminium Rail (for 108N/814)		-		814		
Standard Lengths		-		2000mm, 3000mm, 4000mm & 6000mm		
Rail	Round		Square			
2000mm Stainless Steel	100OR-20	100OR-20PR	150SR-20	150SR-20PR		
2500mm Stainless Steel	100OR-25	100OR-25PR	150SR-25	150SR-25PR		
3000mm Stainless Steel	100OR-30	100OR-30PR	150SR-30	150SR-30PR		
4000mm Stainless Steel	100OR-40		150SR-40			
Soft Stop	Left Hand Side		100-LS	100-LSPR	-	
Right Hand Side		100-RS		100-RSPR	-	
Support Bracket**	Glass 100 and Timber Top Fix 100		100-RB	100-RBPR	-	
Timber Face Fix 100		100F-RB		100F-RBPR	-	
Timber Face Fix 150		-		150-SB	150-SBPR	

PR indicates PVD Black finish

*Pack sets include 2 hangers, doorstops, guide, handle, brackets and fixings

**1 support bracket required per additional 500mm on rails longer than 2000mm

Brio®

Brio – Australia

PO Box 604, Chester Hill, 2162
C5 - C7, Regents Park Estate, 391 Park Road,
Regents Park, NSW 2143, Australia
Phone +61 2 8718 6718 Fax +61 2 8718 6719
www.brio.com.au
email: brío.sales@allegion.com

Brio – UK

Unit 30 Gateway West, Kingfisher Boulevard, Newburn Riverside,
Newcastle Upon Tyne, NE15 8NZ, United Kingdom
Phone +44 (0) 191 2291224 Fax +44 (0) 191 2677891
www.briouk.com
email: brío.sales.uk@allegion.com

Brio – USA

85 Mushroom Blvd
Rochester, NY 14623-3201
Toll Free +1 855 586 6251 Phone +1 585 319 5599 Fax +1 585 319 5741
www.briousa.com
email: brío.sales.usa@allegion.com

About Allegion

Allegion (NYSE: ALLE) is a global pioneer in the field of safety and security. We keep people and their property safe, wherever they are, bringing together simple solutions and advanced technology. Allegion is a \$2 billion company, with products sold in almost 130 countries. For more, visit www.brio.com.au

