

# Partition-TopMountTrack™ - Double

**CS TrackSystems** are an innovative range of track systems designed for a multitude of sliding doorway applications. They originate from the one-piece heavy duty track extrusions used in the original **CS CavitySliders** units.

**CS Partition-TopMountTrack - Double** offers all the same design features and pelmet options as the single with the added benefit of using multiple doors.

Incorporating one fixed and two sliding doors creates more expansive openings in your home or office. When using **CS TrackSystems**, the doors are always visible. Use any **CS ForDoors** as a feature in your design.



*Partition-TopMountTrack with exposed pelmet and 1-Lite CS NewYorker door.*



*Partition-TopMountTrack with exposed pelmet and CS NewYorker doors.*

# Partition-TopMountTrack™ - Double

## Standard Partition-TopMountTrack Features

- ▮ Track is available in lengths up to 7m long.
- ▮ The track is high-quality, heavy duty extruded aluminium.
- ▮ Pelmet is removable for future servicing requirements.
- ▮ Able to take standard and non-standard sized doors up to 38mm thick (recommended).
- ▮ Can accommodate doors up to 240kg.
- ▮ Carriages cannot jump off the track.
- ▮ Recommended for use with the **CS ForDoors** range.
- ▮ Tracks may also be supplied in a single track configuration.
- ▮ Door pick-up system is supplied standard with double track 2-door set-ups.
- ▮ Pelmets are supplied anodised or powder coated white to match ceiling finishes and/or ceiling grids if required.

## Applications

CS Partition-TopMountTrack is recommended for use with the following CS ForDoors products. For customised design requirements, contact our customer service staff.

**NewYorker™**

**AluTec™**

**Parisian™**

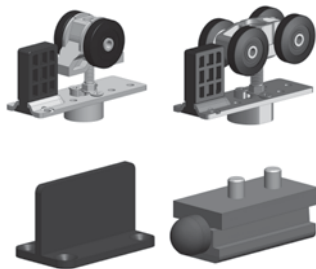
**MirrorLite™**

**AluLite™**

**WhiteBoard™**

## Components

- ▮ Single or Bi-Parting 2-wheel or 4-wheel carriage and mounting plate system
- ▮ Aluminium T-Guides, track stops and pick-up system
- ▮ Your choice of either exposed or concealed pelmets. Fixing screws and instructions will also be enclosed.



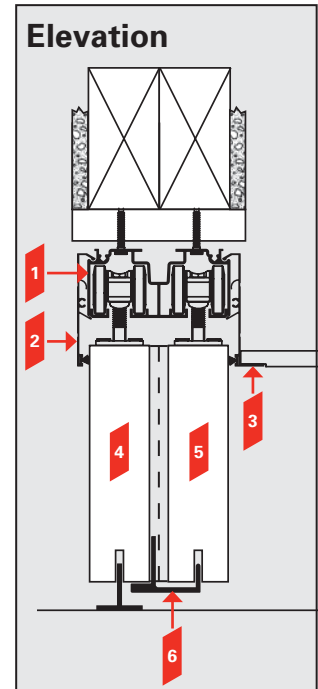
## Quality

Our aim at CS is to manufacture the most innovative door systems available. Every component used within our products is uniquely designed with this in mind and backed by our manufacturer's guarantee.

## Technology & Innovation

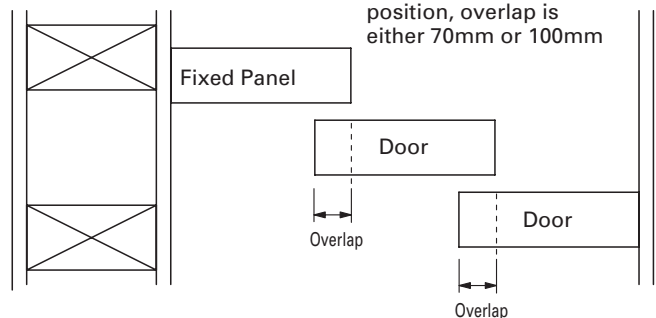
Our engineers focus on constantly developing new products and refining existing ones. Our products come with a number of unique features:

- 1 Heavy duty one piece extruded aluminium track
- 2 Exposed pelmet (removable and pre-finished anodised or white)
- 3 Concealed pelmet (recessed above ceiling and powder coated white or anodised)
- 4 Trailing door
- 5 Leading door
- 6 Overtaking pick-up guide system.

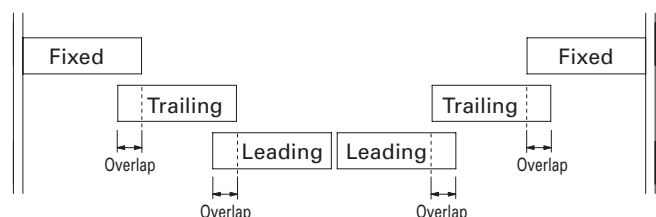


## Configurations

### Single Option



### Bi-Parting Option



All copyright and other property in this document is reserved by CS Cavity Sliders Pty. Ltd. Details and specifications are subject to change without notice. Whilst all care is taken to ensure the accuracy of all information, no responsibility will be accepted for any errors or omissions. © CS Cavity Sliders is a Registered Trademark. Australian Patent Pending: 2005 202818. © CS Cavity Sliders Pty. Ltd. CS Partition-TopMountTrack™ Double (O.D. 2008). 60416 - 02.2011

**CS Cavity Sliders Pty. Ltd.**  
T 02 9905 0588  
F 02 9905 7088

[www.cavitysliders.com.au](http://www.cavitysliders.com.au)  
cssyd@cavitysliders.com.au

PO Box 930, Brookvale  
NSW 2100, Australia

Another quality product from:

