



Engineered  
products for  
public and  
community  
spaces

Product catalogue  
March 2018

[CIVIQ.COM.AU](http://CIVIQ.COM.AU)



# Introducing the Flexi Collection

Our signature suite of configurable environmental products



## FlexiFountain

Industry-leading drinking water station with inbuilt signage



## FlexiShower

Outdoor shower with optional drinking water functionalities



## FlexiSign

Economical, modular signage system



## FlexiDisplay

Customisable poster display and noticeboard system



## FlexiLocker

Configurable locker range for outdoor and indoor applications

Used by  
over 150  
Australian  
councils

# Aquafil® FlexiFountain

Create an impression with our  
industry-leading, configurable  
Drinking Water Station range

- ✓ Two anti-bacterial bottle refill points, with options for one or two drinking fountain basins
- ✓ DDA-compliant wheelchair-accessible design
- ✓ Customisable, graffiti protected panel
- ✓ Removable panel for easy filter replacement
- ✓ Robust design
- ✓ Made in Australia
- ✓ Two year warranty\*

\*Please refer to the Aquafil® Product Warranty for full terms and conditions

## How it works

- 1 Choose a base configuration (see page right)
- 2 Customise your FlexiFountain with the following options:



Add a filter



Add a water meter



Customise  
panel artwork



Select a  
drainage option



Add a dog  
drinking bowl



Add a remote  
chiller



## CASE STUDY

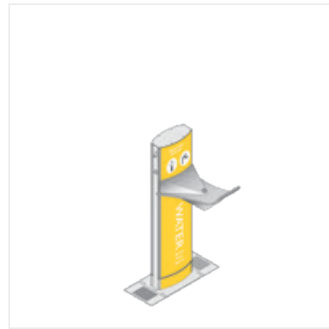
MACQUARIE UNIVERSITY (NSW)

We worked with Macquarie University to install a number of Aquafil® 2100mm-high FlexiFountains. The taller height gives the units a distinct presence in the campus, complimented by the colourful panel designs.

## 1200MM HEIGHT Compact & Robust

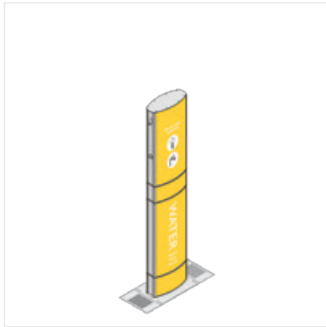


**Aquafil® FlexiFountain 1200B**  
Bottle Refill Station



**Aquafil® FlexiFountain 1200BF**  
Drinking Fountain & Bottle Refill Station

## 1500MM HEIGHT Ideal for parks & squares



**Aquafil® FlexiFountain 1500B**  
Bottle Refill Station



**Aquafil® FlexiFountain 1500BF**  
Drinking Fountain & Bottle Refill Station



**Aquafil® FlexiFountain 1500BFF**  
Dual Height Drinking Fountain & Bottle Refill Station

## 2100MM HEIGHT Enhanced height for visual prominence



**Aquafil® FlexiFountain 2100B**  
Bottle Refill Station

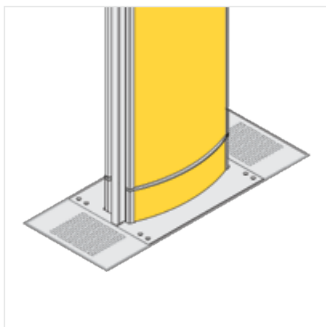


**Aquafil® FlexiFountain 2100BF**  
Drinking Fountain & Bottle Refill Station

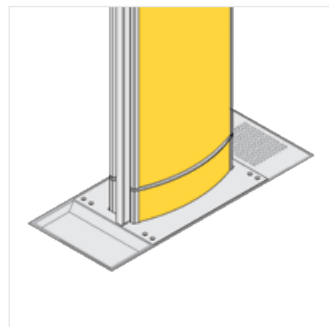


**Aquafil® FlexiFountain 2100BFF**  
Dual Height Drinking Fountain & Bottle Refill Station

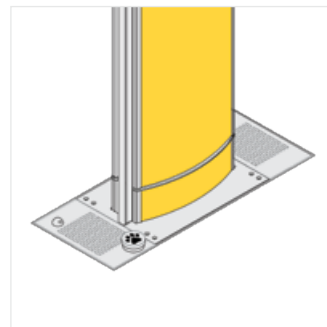
## DRAINAGE CAGE & DOG DRINKING BOWL OPTIONS



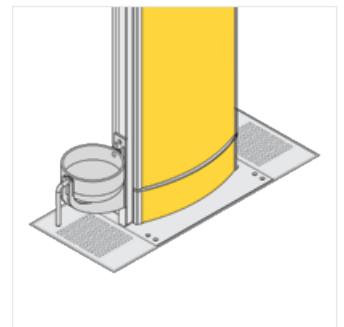
Standard Drainage



Sub-Surface Dog Drinking Bowl



Dog Drinking Nozzle



Swinging Dog Drinking Bowl

Popular  
with  
schools

# Aquafil® Pulse

An economical indoor/outdoor drinking water solution for educational campuses

- ✓ Two anti-bacterial bottle refill points, with options for 1, 2 or 3 drinking fountain basins
- ✓ Economical and robust design
- ✓ Reduced height option for primary schools (Pulse Junior)
- ✓ DDA-compliant wheelchair-accessible design
- ✓ Customisable signage panels
- ✓ Removable panel for easy filter replacement
- ✓ Two year warranty\*  
\*Please refer to the Aquafil® Product Warranty for full terms and conditions

## How it works

- 1 Choose a base configuration (see page right)
- 2 Customise your Aquafil® Pulse with the following options:



Add a filter



Add a water meter



Customise panel artwork



Add a dog drinking bowl



Add a remote chiller



## CASE STUDY

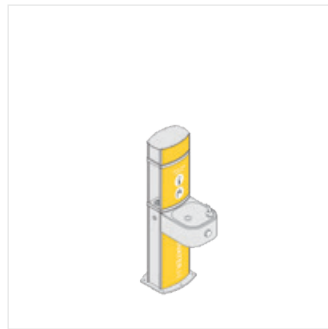
MELBOURNE SPORTS & AQUATIC CENTRE (VIC)

Melbourne Aquatic Centre worked with CIVIQ™ to install multiple Aquafil® Pulse Drinking Fountain & Bottle Refill Stations across the complex, which have proven to be extremely popular with their users!

## PULSE JUNIOR (1200MM HEIGHT) Designed for junior schools



**Aquafil Pulse Junior 1200B**  
Bottle Refill Station

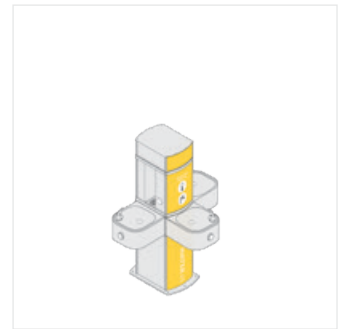


**Aquafil Pulse Junior 1200BF**  
Drinking Fountain & Bottle Refill Station



Great for junior playgrounds

**Aquafil Pulse Junior 1200BFF**  
Dual Height Drinking Fountain & Bottle Refill Station

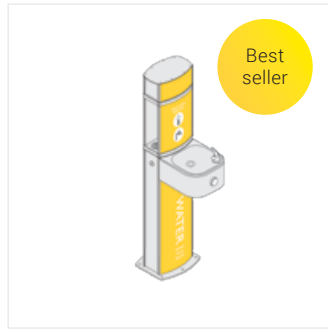


**Aquafil Pulse Junior 1200BFFF**  
Tri-Fountain & Bottle Refill Station

## PULSE SENIOR (1400MM HEIGHT) Great for senior campuses

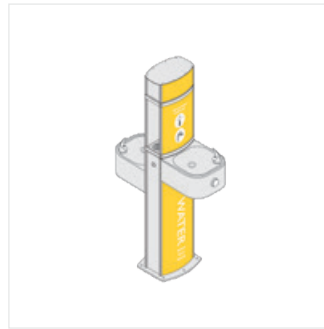


**Aquafil Pulse Senior 1400B**  
Bottle Refill Station



Best seller

**Aquafil Pulse Senior 1400BF**  
Drinking Fountain & Bottle Refill Station

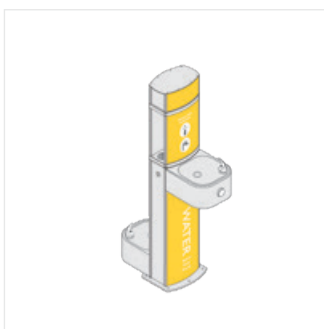


**Aquafil Pulse Senior 1400BFF**  
Dual Height Drinking Fountain & Bottle Refill Station

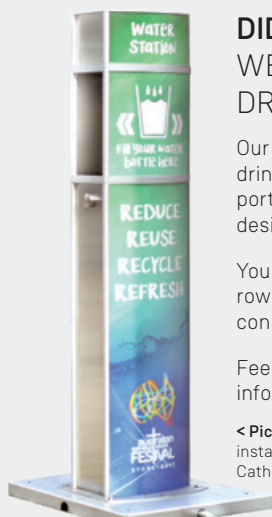


**Aquafil Pulse Senior 1400BFFF**  
Tri-Fountain & Bottle Refill Station

## DOG DRINKING BOWL OPTION



**Dog Drinka Bowl**



**DID YOU KNOW?**  
WE HAVE SEMI-PORTABLE DRINKING WATER OPTIONS

Our Aquafil® FlexiFountain and Aquafil® Pulse drinking water stations are also available in portable formats, with a robust heavy duty design and a secure stainless steel base.

You can even connect up multiple units (into a row of water stations) for busy events. Simply connect to a mains water line and drain.

Feel free to contact our team for further information.

< Pictured: Aquafil® Pulse 1400B Portable units were installed at Sydney Olympic Park for the 2017 Australian Catholic Youth Festival

## AQUAFIL® SOLO Great for schools



**Aquafil Solo 700BF**  
Drinking Fountain & Bottle Refill Station



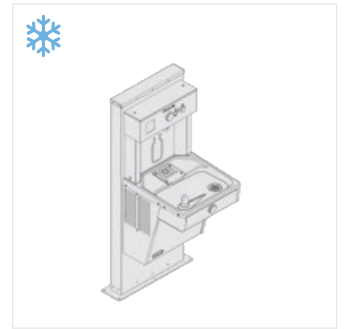
**Aquafil Solo 900BF**  
Drinking Fountain & Bottle Refill Station

## AQUAFIL® SOLITA



**Aquafil Solita 800F**  
Drinking Fountain

## AQUAFIL® ENDURA



**Aquafil Endura 1000BF**  
Vandal-Resistant Drinking Fountain  
& Bottle Refill Station

## AQUAFIL® BOLD Great for public parks

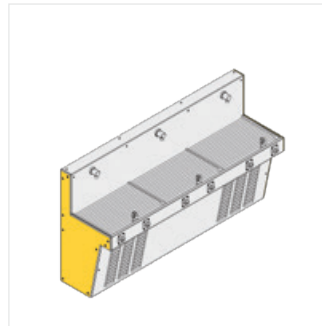


**Aquafil Bold 850BF**  
Drinking Fountain & Bottle Refill Station



**Aquafil Bold 850BF**  
Drinking Fountain & Bottle Refill Station  
with Swinging Dog Bowl

## NEW



**Aquafil Hydrobank**  
Triple-nozzle wall-mounted drinking  
fountain & bottle refill station



## AQUAFIL® HYDROBANK New!

High quality wall-mounted solution with multiple water access points. Great for schools!

- ✓ Three anti-bacterial bottle refill points
- ✓ Three drinking fountains
- ✓ Durable stainless steel construction
- ✓ Chilled options
- ✓ Filtered options
- ✓ Robust, vandal-resistant design
- ✓ Two year warranty\*  
\*Please refer to the Aquafil® Product Warranty for full terms and conditions
- ✓ Coloured end panels (choice of 9 colours)

End panel colour options





## CUSTOMISE YOUR AQUAFIL® ARTWORK

Most Aquafil® Drinking Water Stations include the option for integrated graphic signage panels.

You can feature your own design on the panels by submitting your own artwork files, or choose from one of our preset templates. Alternatively, our team can also create a custom design for you.

Please speak with one of our sales team to learn more.



New!

## AQUAFIL® & ELKAY® WATER MAINTENANCE PACKAGES

We offer a range of maintenance services for our Aquafil® and Elkay® drinking water stations in NSW (to be rolled out across Australia in 2018). Please contact us to learn more.

	BRONZE	SILVER	GOLD
<b>CLEANING</b> <ul style="list-style-type: none"> <li>• Removal of visible dirt, grime and graffiti</li> <li>• Cleaning of drainage pit to remove most silt and debris to improve drainage.</li> </ul>	2x per year	3x per year	4x per year
<b>CHECKUP AND REPORT</b> <ul style="list-style-type: none"> <li>• Check and report each visit with before and after cleaning photos and meter readings, if fitted, and the drinking fountain is all in good working order.</li> <li>• Notify and quote for any further possible repair that may be necessary.</li> </ul>	2x per year	3x per year	4x per year
<b>FILTER REPLACEMENT (WHERE FILTERED)</b> <ul style="list-style-type: none"> <li>• Filter monitoring and replacement</li> <li>• Cost of new filter unit charged separately \$100/unit</li> </ul>	2x per year	3x per year	4x per year
<b>VANDAL REPAIR</b> <ul style="list-style-type: none"> <li>• Includes one free call out service fee per check up period for repair if unit has been vandalised (cost of installing replacement parts are quoted separately).</li> </ul>	2x per year	3x per year	4x per year

## MEET THE CIVIQ™ TEAM

Our company has developed a reputation for delivering quality products suited to public environments.

If you are interested in learning more about our product and service range, we look forward to hearing from you.

Please contact one of our team on **1300 600 300** or email [sales@civiq.com.au](mailto:sales@civiq.com.au) to make an appointment.



# Introducing Elkay® Drinking Water Stations

Advanced wall-mounted drinking water dispensers, ideal for indoor and sheltered outdoor environments.

## ELKAY® EZH2O Bottle refill & drinking fountain systems



**Elkay EZH20 Mechanical**  
Bottle Filling Station Surface Mount



**Elkay EZH20 Auto-Sensor**  
Bottle Filling Station Surface Mount



**Elkay EZH20 Auto-Sensor** ❄️  
Bottle Filling Station In-Wall (Refrigerated)



**Elkay EZH20 Auto-Sensor**  
Bottle Filling Station In-Wall



Best seller

**Elkay EZH20 Auto-Sensor** ❄️  
Bottle Filling Station with Single Drinking Fountain (Refrigerated)



Best seller



**Elkay EZH20 Vandal-Resistant** ❄️  
Bottle Filling Station with Single Drinking Fountain (Refrigerated)

## ELKAY® SOFTSIDES Economical wall-mounted fountain



**Elkay SoftSides Single Fountain**



DDA Compliant

**Elkay SoftSides Single Fountain**  
Wheelchair Accessible



**Elkay SoftSides Single Fountain** ❄️  
(Refrigerated)



**Elkay SoftSides Bi-Level Fountain**



DDA Compliant

**Elkay SoftSides Bi-Level Fountain** ❄️  
(Refrigerated)

## ABOUT ELKAY®

Elkay® is an internationally-recognised market leader in plumbing and drinking water products, designed and made in the USA. CIVIQ™ is proud to be the leading distributor of Elkay® products in Australia.



Our Elkay® products are Watermark™ certified.

## ELKAY® CHILLED WALL-MOUNT FOUNTAINS

Ideal for architectural settings



Economical chilled solution



**Elkay Easy Touch**  
Wall Mount Drinking Fountain (Refrigerated) ❄️

**Elkay Vandal Resistant**  
Wall Mount Drinking Fountain (Refrigerated) ❄️

**Elkay Vandal Resistant XStream**  
Wall Mount Drinking Fountain (Refrigerated) ❄️

**Elkay Space-ette**  
Freestanding Drinking Fountain (Refrigerated) ❄️

## ELKAY® SWIRLFLO Ideal for architectural settings



Simple and sleek



**Elkay SwirlFlo Single Fountain**

**Elkay SwirlFlo Single Fountain** (Refrigerated) ❄️

**Elkay SwirlFlo Bi-Level Fountain**

**Elkay SwirlFlo Bi-Level Fountain** (Refrigerated) ❄️



See case study

**Elkay SwirlFlo Bi-Level Fountain with Integral EZH2O Bottle Refill Station** ❄️

## CASE STUDY ADELAIDE AIRPORT



The CIVIQ™ team worked with Adelaide Airport in the selection and installation of five Elkay® Drinking Water Stations as part of a comprehensive upgrade of their public amenities.

With its sleek in-wall design and all-in-one functionality, the stations have become a sophisticated – and highly utilised – addition to the complex.





## CASE STUDY BUSSELTON BEACH

Busselton council have installed ten Aquafil® FlexiShowers along their beachfronts. They chose to configure their units with a range of drinking fountain and dog drinking bowl add-ons (as pictured).

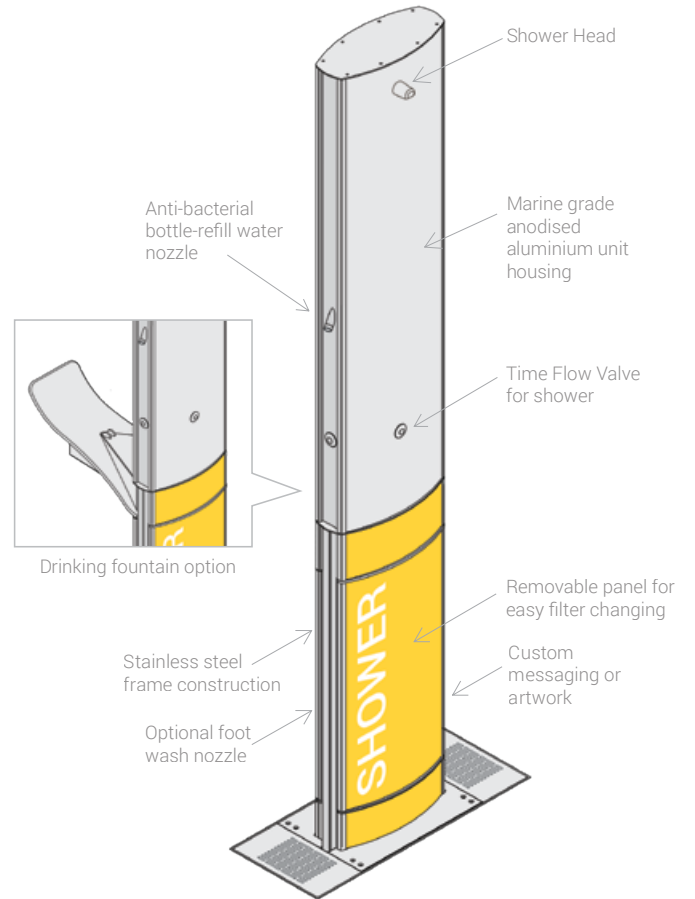
Ideal for coastal locations

# Aquafil® FlexiShower









Customisable outdoor shower with integrated signage and drinking water options

- ✓ One shower head (single sided) or two (double sided)
- ✓ Time flow valve to prevent water wastage
- ✓ 2100mm height
- ✓ Stainless steel construction for corrosion protection
- ✓ Two anti-bacterial hand & foot wash / bottle refill points
- ✓ Optional drinking fountain
- ✓ Optional dog drinking bowl
- ✓ Economical and robust design
- ✓ DDA-compliant wheelchair-accessible design
- ✓ Customisable signage panels
- ✓ Two year warranty\*

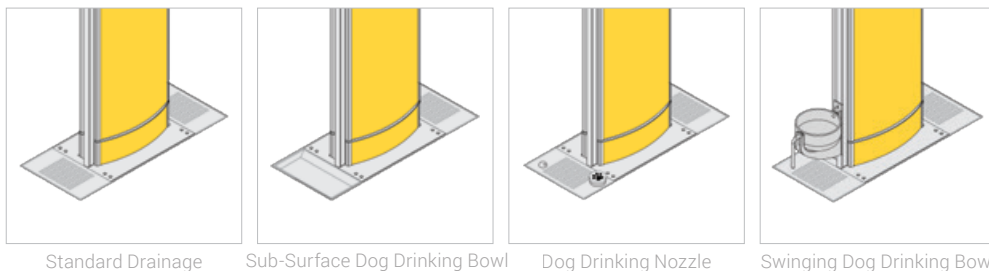
\*Please refer to the Aquafil® Product Warranty for full terms and conditions



## Customise your Aquafil® FlexiShower:

			
Single- or double-sided shower	Add a drinking fountain	Add a foot wash nozzle	Select a drainage option
			
Add a dog drinking bowl	Add a filter	Add a water meter	Customise panel artwork

## Drainage cage & dog drinking bowl options





## CASE STUDY SYDNEY CITY COUNCIL

CIVIQ has supplied hundreds of bicycle racks across Sydney's CBD and surrounding districts for many years, featuring the popular Cyclia Hoop Standard and Cyclia Pole-Mounted Retrofit products.

The Hoop design (pictured) features a classic and timeless profile, finished in high grade 316 stainless steel.

# Cycla™ Bicycle Security

Robust performance meets quality design

Our Cycla™ Bicycle Security range has been developed based on extensive feedback with Councils and Facility Managers. The product range is available in high grade 316 Stainless Steel with different mounting options. Customised designs available on request.



Cycla Hoop Standard



Cycla Hoop Compact



Cycla Hoop Slim



Cycla Loop



Cycla Monarch A



Cycla Monarch B



Cycla Monarch C



Cycla Ring



Cycla Proline A



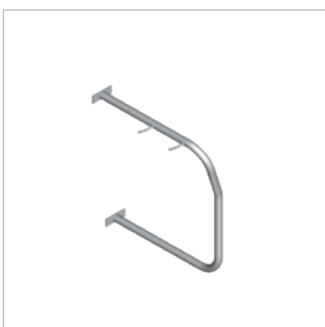
Cycla Proline B



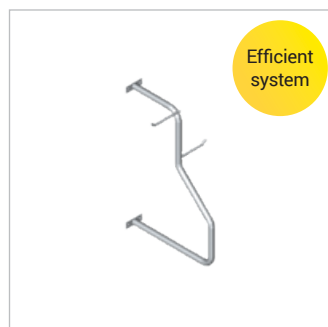
Cycla Proline C



Cycla Pole-mounted retrofit



Cycla Single-up Vertical wall-mounted



Cycla 2-up Vertical wall-mounted



Cycla 2-up vertical stand (single)



Cycla 2-up vertical stand (double)

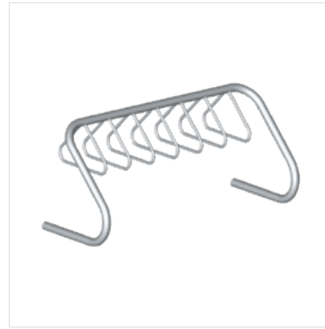
## CYCLA BICYCLE RACKS (CONTINUED)



Cycla Spiral Rack



Cycla AA Series 4-ring



Cycla AA Series 7-ring



Cycla Compact



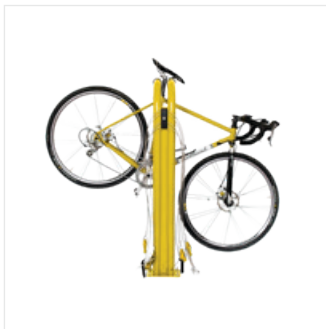
Cycla Rolla Single



Cycla Rolla Double

## FIXTATION® BICYCLE REPAIR STATIONS

Fixtation® is an American bicycle specialty brand specified by facility managers internationally. The brand is known for its excellence in bicycle product engineering and manufacturing quality.



Fixtation public bike work stand



Fixtation public pump stand

### CASE STUDY

SYDNEY CITY COUNCIL 

Cycla Bicycle Racks have been installed across hundreds of sites within the Sydney Central Business District. Timeless design and quality 316 stainless steel finish ensures that these racks will stand the test of time.





# Public Transport Solutions

## Communication products for public spaces

Our company has over 25 years experience servicing clients in the public transport sector.

Over the years, we have developed a range of unique signage and display systems, which have come to be specified by authorities nationwide.

### PUBLIC TRANSPORT SIGNAGE PRODUCTS



Flag Sign



J Pole Sign



FlexiSign  
220 Pole-mounted Timetable Case



FlexiSign  
440 Totem with Timetable Route Case



FlexiDisplay  
Timetable Route Information Display  
Case and Stand



### CASE STUDY

#### PUBLIC TRANSPORT VICTORIA

Our FlexiSign freestanding and pole-mounted signage system is used across Victoria's tram and bus stop network. With their prominent placing and brightly coloured designs - you can't miss them!

# FlexiSign

Modular outdoor signage system

Our robust, economical and highly adaptable signage system with poster display option. Ideal for public wayfinding and community events promotion.



## CASE STUDY

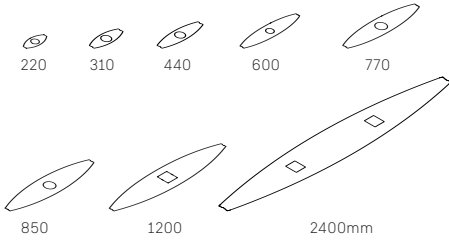
LAKE WENDOUREE, BALLARAT (VIC) 

We worked with Ballarat City Council to develop a suite of signage installations around the picturesque Lake Wendouree park precinct.

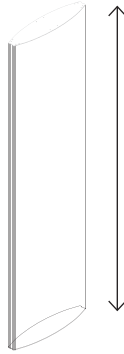
The council specified a range of sizes, including the 900mm, 440mm and also multiple 2100mm-high Aquafil FlexiFountains (which utilise the same core technology as our signage range)

## How it works

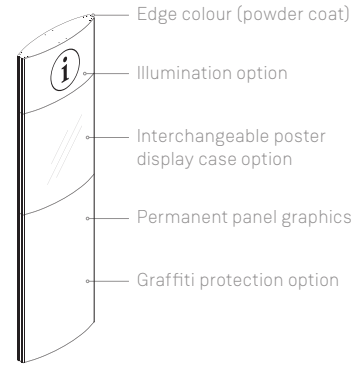
### 1 Select a signage profile



### 2 Choose the length



### 3 Customise the finishes



#### Commercial complex pylon sign Warrawong Development Group (NSW)

Our largest FlexiSign configuration (2400mm base profile) was used for this streetscape pylon sign in Warrawong NSW

“The performance of the FlexiSign product is very good in its ability to meet its ‘fitness for purpose’ with no or minimal maintenance requirements ... and is backed up by excellent after sales support”

Grant Cooper, Project Manager (Signage)  
Public Transport Victoria



#### Info help points University of Tasmania (TAS)

The University of Tasmania customised the 440mm FlexiSign totem to incorporate bottle refill points and security phone functionality



#### Shared path wayfinding signage Shire of Melton (VIC)

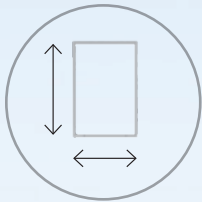
Shire of Melton specified the 220mm FlexiSign totem for their shared bicycle & pedestrian path wayfinding project

# FlexiDisplay

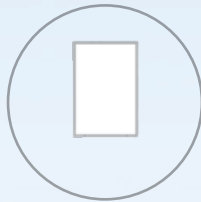
Modular poster & notice board display system

An easily customisable display system ideal for community announcements and advertising in outdoor public spaces

## How it works



Choose a display case, dimension & colour



Choose a backing material



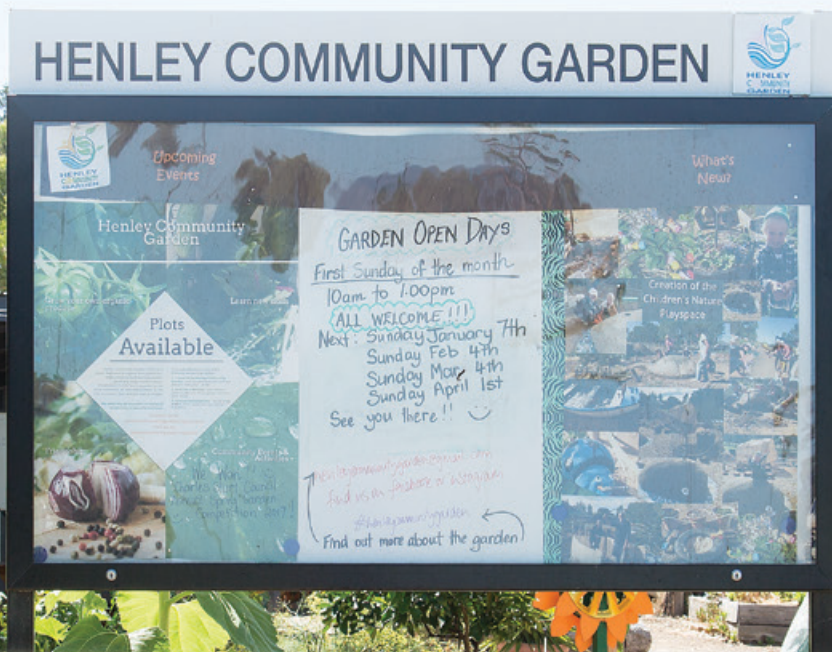
Add an optional display stand



Add an optional header sign panel



Add optional graffiti protection



## FLEXIDISPLAY NOTICE & POSTER DISPLAY BOARDS



FlexiDisplay TuffLok



FlexiDisplay ClipLok

## FLEXIDISPLAY STANDS



FlexiDisplay Basic Stand

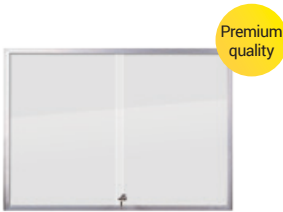


FlexiDisplay Executive Stand



FlexiDisplay Premium Stand

## VISIGUARD NOTICE & POSTER DISPLAY BOARDS



VisiGuard Premium Sliding 2-door



VisiGuard Sliding 2-door

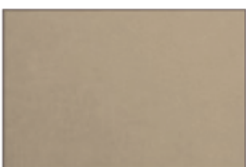


VisiGuard Swinging 1-door

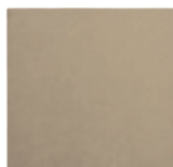


VisiGuard Swinging 3-door

## VISIPIIN INDOOR & OUTDOOR PIN BOARDS



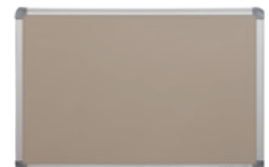
VisiPin Microframe



VisiPin Unframed



VisiPin Framed Indoor



VisiPin Framed Outdoor



### CASE STUDY HENLEY COMMUNITY GARDEN (SA)

We worked with the volunteers at Henley Community Garden to create a custom-configured FlexiDisplay, featuring the TuffLok Display Case on an Executive Stand, with a sign header and black powder coat finish. Several years later it still looks great - and is very well used by the community.

# FlexiLocker Garage Master

Heavy-duty garage storage solution ideal for compact residential settings



FlexiLocker Garage Master  
over-car bonnet locker

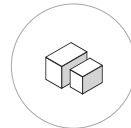


FlexiLocker Garage Master  
Double stacked locker

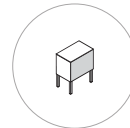
AUSTRALIAN DESIGNED & MADE FOR A  
LONG-LASTING AND RELIABLE SERVICE LIFE

Our signature line of garage lockers has been developed to  
maximise storage capacity in compact residential settings.

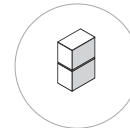
Customisation options include:



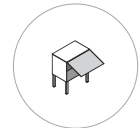
Select size  
· 2.5m<sup>3</sup>  
· 2.8m<sup>3</sup>



Add legs  
For over-bonnet  
solution



...Or double  
stack



Accessorise  
· Shelving  
· Lighting  
· Lock options  
· Powder coat finish

## CUSTOM PROJECTS

Our company has the capability to design, develop, manufacture and install a range of engineered products based on your requirements.

We engage a team of engineers, builders and other experts, enabling us to deliver:

- 3D design and CAD development
- Signage module design development, engineering and manufacturing
- Sheet metal, welding, perforation and stainless steel fabrication
- Plumbing fixtures and fittings
- Lighting and electrical installation
- Graphic design
- Screen printing and digital print management

Please contact our Product Development Manager, Adrian, to learn more. Phone 1300 600 300 or email [design@civiq.com.au](mailto:design@civiq.com.au)

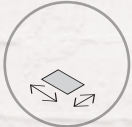


The CIVIQ™ design team: Adrian (left) and Heston (right) >

# FlexiLocker CubeLok

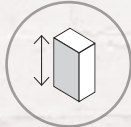
A configurable HDPE locker system ideal for schools and fitness centres

How it works



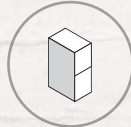
**Choose a base profile**

- Type 1: 380 W x 450 D
- Type 2: 380 W x 585 D
- Type 3: 490 W x 485 D
- Type 4: 305 W x 450 D
- Type 5: 305 W x 305 D

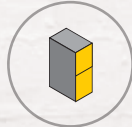


**Choose a height**

- 250mm
- 460mm
- 670mm
- 880mm
- 1090mm
- 1300mm
- 1510mm
- 1720mm

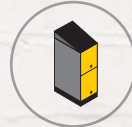


**Choose door configuration**



**Choose colours**

25 colours to choose from



**Choose accessories**

- Shelving
- Name plate
- Hook
- Base plate
- Top piece



“We purchased 350 lockers from CIVIQ and could not be happier. The service and communication is first class and the lockers are fantastic.

Our students love the colours and look of the new lockers and they have brightened our school considerably”

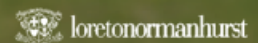
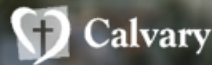
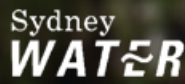
Tristan Lanarus  
Principal, Westall Secondary College



**CASE STUDY**   
WESTALL SECONDARY COLLEGE (VIC)

We worked with Westall Secondary College to introduce new lockers across their campus, with blue and yellow front panels in a padlock-able 2-door configuration.

# Trusted by organisations across Australia, New Zealand and beyond



**CIVIQ™**  
Public-use Products

► [CIVIQ.COM.AU](http://CIVIQ.COM.AU) ☎ 1300 600 300

8-10 Giffard St  
Silverwater  
NSW 2128

Level 9  
440 Collins St  
Melbourne  
VIC 3000

Level 54  
111 Eagle Street  
Brisbane  
QLD 4000

1/10 Albert Avenue  
Broadbeach  
QLD 4218