

HELIOSHADE®

FABRIC CASSETTE



HELIOSHADE
COLOUR DESIGN

*over 120 standard
frame colours*



 BEAUFORT WIND SCALE
Category 6

 5 YEAR WARRANTY

 **helioscreen**[®]
Intelligent Sun Control Solutions[®]

HELIOSHADE®

FABRIC-CASSETTE

THE CUSTOM MADE INTELLIGENT SUN CONTROL SOLUTION

An elegant and compact fabric-cassette awning, the HELIOSHADE® FABRIC-CASSETTE offers the fabric and motor full protection from the elements with its unique adjustable angle cassette. The fabric-cassette is mounted via an integrated torque bar with numerous mounting options making the HELIOSHADE® FABRIC-CASSETTE a universal awning suitable for a large range of applications. With the Vario valance the HELIOSHADE® FABRIC-CASSETTE is optimally adaptable to any position of the sun. Thanks to the chromatising of all aluminium parts as well as screws and nuts made of marine grade stainless steel, the HELIOSHADE® FABRIC-CASSETTE awning is extremely resistant to corrosion. Extension of the awning is by means of a SOMFY motor which is backed by a 5 year warranty and also offers the option of automated sun, wind or rain sensors.



Tested and proven to well over 70,000 full cycles, the multiflex 4 cable system is the strongest of its kind on the market. With daily use this is more than a 200-year life span. Ideally suited to our harsh Australian conditions the arm system is optimised for long lasting tautness of the fabric under extended heavy use.



THE ARTICULATED ARMS OF THE HELIOSHADE® - THE HEART OF THE AWNING

The articulated arms of the HELIOSHADE® FABRIC-CASSETTE are characterised by their elegant, eye-catching design and convincing performance. All components have been developed to ensure smooth function and high durability and have proved themselves in very demanding load tests. The use of high-quality extruded sections in combination with joint parts of high-strength die casting and drop-forged arm sections (with a maximum projection of 4500mm) stand for optimal safety even under extreme loads. The specially developed 'multiflex' power band, which is made up of four tear-resistant steel cables sheathed in a highly flexible plastic material, is protected against corrosion and damage. It applies the force of up to three spring movements in the upper arm section and ensures proper tensioning of the fabric.



A small number of system parts and simple assembly are further criteria for the success of this awning. Optimal protection of the awning fabric and a compact appearance when retracted are guaranteed for the 5°- 45° inclination of the awning thanks to the aluminium cassette's special adjustable design. Stylishly formed side parts make the HELIOSHADE® FABRIC-CASSETTE appear elegant and will compliment any home or external facade.



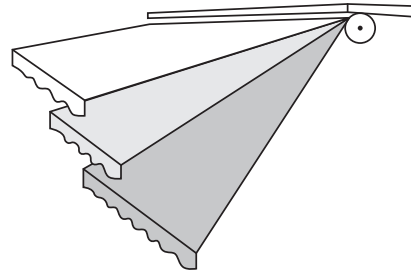
VARIOVALANCE

The HELIOSHADE® FABRIC-CASSETTE variovalance is a vertically adjustable valance which harmonises perfectly with the overall appearance of the awning. The Variovalance can be extended to 1,600mm offering additional privacy and protection from the setting/rising sun's glare and when not in use the fabric is hidden within the awning front rail out of sight.



FLEXIBLE TILT CONTROL (Classic only)

Optional F.T.C. (Flexible Tilt Control) function enables the user to have adjustable pitch control over the angle of the awning on systems up to a size of 6.5 x 3m (6.5x2.5m with VV). Operated by a manual gear and hand crank the angle can be adjusted from 0-80 degrees and thanks to a tension sensing motor the awning will automatically stop at the required closed position regardless of the angle.

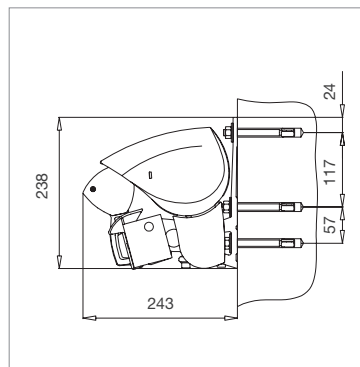


TECHNICAL DATA (dimensions in mm)

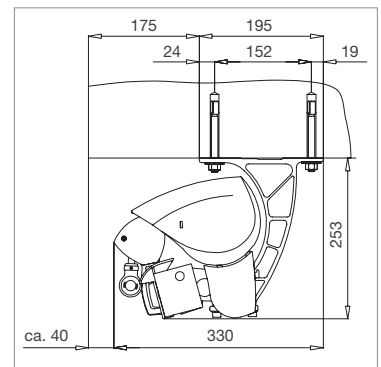
- MAXIMUM WIDTH - 8,000
- COUPLING SYSTEM - up to 12,000
- MAXIMUM PROJECTION - 4,000 / 4,500*
- INSTALLATION ANGLE - 5-45°
- STANDARD OPERATION - motor (gear unit and hand crank possible)
- COLOURS - Chose from over 150 custom powder coat colours

(*Only possible from 5-6.5m wide)

Face fix (dimensions in mm)



Top fix (dimensions in mm)





FURTHER OPTIONS IN THE HELIOSHADE® RANGE



SIDELINE PRIVACY SCREEN

Add sun and wind protection to balconies, terraces and garden areas – and enjoy a high level of privacy in busy neighbourhoods with a durable Sideline privacy screen.




Sideline complements any outdoor area and features a modern European-styled cassette design. Available in a wide variety of colours, high-quality corrosion resistant materials make Sideline a good-looking product that lasts. Sideline privacy screens utilise Helioscreen's external fabrics providing a wide choice of designer colours to perfectly suit your surroundings.

VARIO PERGOLA SYSTEM

Perfect for courtyards, decks and outdoor living areas, the Vario-Pergola self-supporting sunroof systems adds a new dimension to the Helioscreen range of external sun control solutions.

The Vario-Pergola is suitable for a wide variety of applications and is more flexible than traditional awning products. Lightweight but robust, the Vario-Pergola is based on the popular Varioscreen system and comes with built water gutters on the side channels allowing outdoor areas to be utilised in light rain. Available in an extensive range of colours, the Vario-Pergola is an ideal addition to any building and extends your outdoor living space – all year round.

HELIOSCREEN'S INDOOR AND OUTDOOR RANGE

-  90% Reduced Heat Radiation
-  Windsensor Retractor
-  5 Years Warranty
-  Powered by Somfy 5 year motor warranty

Includes: Roller blinds, Roman blinds, Panel glides, Blackouts, External screens
Retractable sunroofs, Awnings, External venetians.

For further information

Helioscreen Australia Pty Ltd – Located Australia Wide
www.helioscreen.com.au | enquiries@helioscreen.com.au | Phone 1300 766 319