



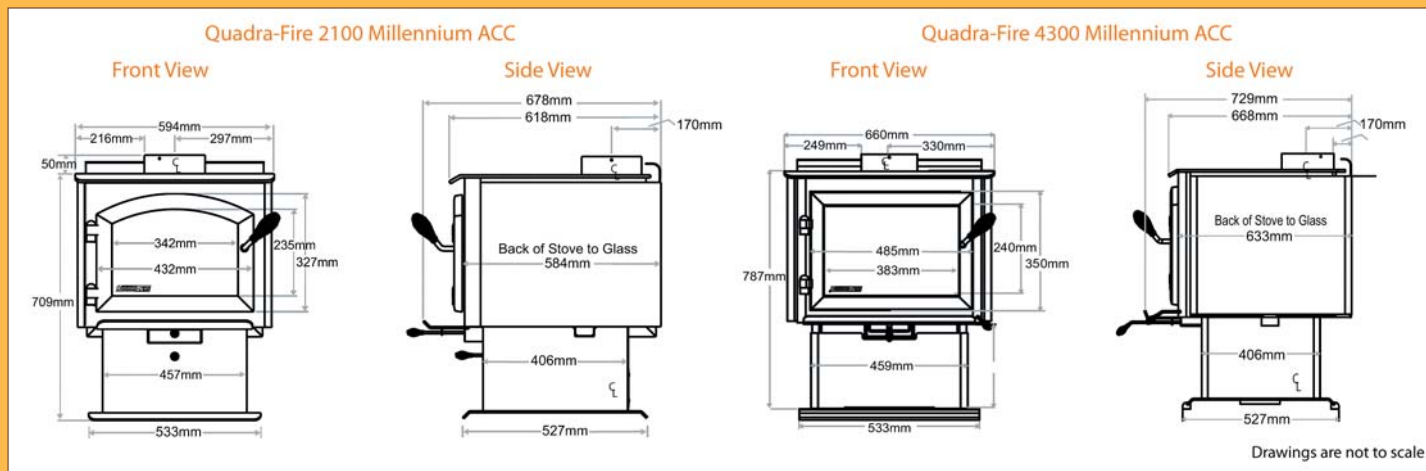
QUADRA-FIRE
NOTHING BURNS LIKE A QUAD



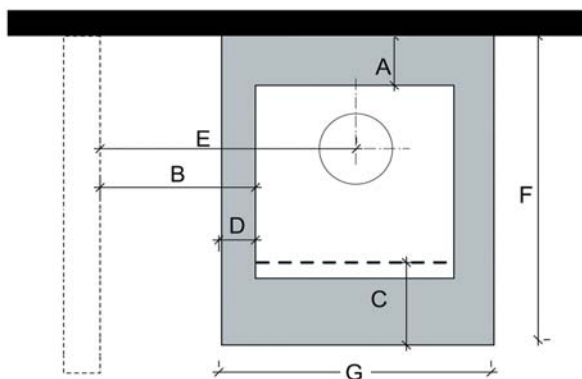
Millenium ACC
WOOD BURNER

For a perfect fire every time!

Our exclusive Automatic Combustion Control system turns you into a professional fire builder. Whether you are starting a cold stove, or reloading for the long burn, the automatic air control provides all the extra air to start the burning process, and then turns the stove down to your desired rate.



Above dimensions are for reference only. We recommend measuring individual units at installation. Refer to installation manual for detailed specifications on installing this product. Quadra-Fire reserves the right to update products periodically. The images and descriptions in this brochure are provided to assist in product selection only. Quadra-Fire is a registered trademark of Hearth & Home Technologies.



CLEARANCES Using twin skin flue		With Twin Skin Flue Shield Fitted	
		2100	4300
A	Min. clearance from firebox to rear wall	150	200
B	Min. clearance from firebox to side wall	550	400
C	Min. distance from firebox opening to floor protector front	300	300
D	Min. distance from firebox to floor protector side	76	69
E	Min. distance from flue centre to side wall	847	730
F	Min distance from rear wall to front of floor protector	1034	1133
G	Width of floor protector	746	798

NOTE: HEAT SHIELD REQUIREMENTS FOR HEAT SENSITIVE WALLS
Clearances may be reduced by provision of an appropriately located heat shield refer to AS/ NZS 2198:2001 3.2.3 Table 3.1

Lighting the fire is easy

Start with some paper or firestarter. Add some kindling, wood shavings or twigs, then put some larger pieces of dry wood on top. Now light the paper with a match, shut the door and set the controls. The stove will do the rest. Load, light and live.

Patented Combustion System

Quadra-Fire's patented four-point combustion system burns the smoke just like fuel in four distinct zones of the combustion chamber. In each of these zones, potential heat that would escape up the chimney of a conventional wood stove is, instead, captured to warm your home. The bottom line is: cleaner air, less chimney maintenance, and fewer trips to the woodpile.

Tested and Approved

The Quadra-Fire 2100 & 4300 Millennium ACC wood burner's have been tested and approved to Australian Emission and Thermal Standard AS/NZ 4012/13, and clearance Standard AS/NZ 2918.

	2100 Millennium ACC	4300 Millennium ACC
Heating Capacity*	20sq	30sq
Maximum efficiency	84%	81%
Average Emissions	2.0G/KG	2.5G/KG

Limited Lifetime Warranty

Quadra-Fire offers a Limited Lifetime Warranty of 10 yrs on our wood heating appliances, 3 years on labour. For full warranty details go to www.quadrafire.com

*Depends on home insulation and ceiling height.

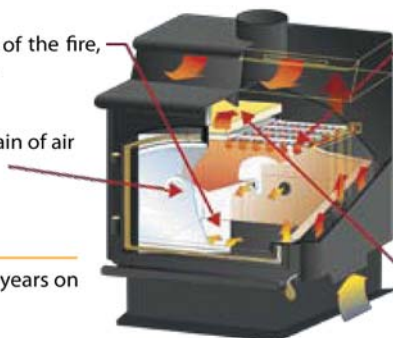
Turn Up The Heat With Advanced Combustion Technology

HOT FAST FIRES!

Air feeds directly into the coal bed, the heart of the fire, to provide quick startup and a complete burn.

BEAUTIFUL FLAME BEHIND YOUR GLASS!

Air is drawn in above the glass, creating a curtain of air that helps keep the large window clean.



AMAZING CEILING OF FIRE!

Air is superheated and injected under the baffle, igniting the flammable gases rising from the wood, releasing more heat and reducing emissions.

SUPER CLEAN BURN!

Jets of pre-heated air provide oxygen to the area just above the baffle, igniting almost all remaining impurities from the wood and capturing heat that normally escapes up the chimney.

Limited Lifetime Warranty

Quadra-Fire offers a Limited Lifetime Warranty of 10 years on our wood heating appliances, 3 years on labour.

For further information contact your **Jetmaster Heat & Glo** showroom



- NSW Arnccliffe 02 9597 7222
- NSW Castlecrag 02 9958 1777
- NSW Castle Hill 02 9680 7279
- NSW Mittagong 02 4872 2234
- NSW Newcastle 02 4952 9299
- EMAIL sales@jetmaster.com.au
- QLD Zillmere 07 3263 4955
- VIC Richmond 03 9429 5573
- SA Adelaide 08 8371 1222
- WA Perth (Fireplace Corner) 08 9228 2600
- WEB www.jetmaster.com.au

