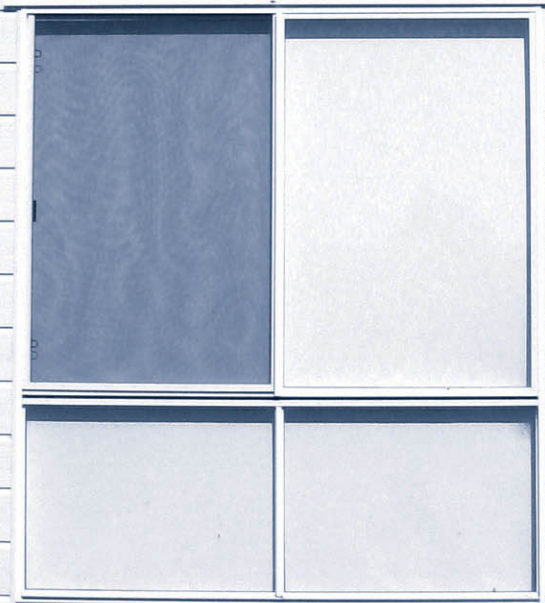




Building Products Beyond The Standards

ULLTRACLAD

Exterior Cladding Installation Manual



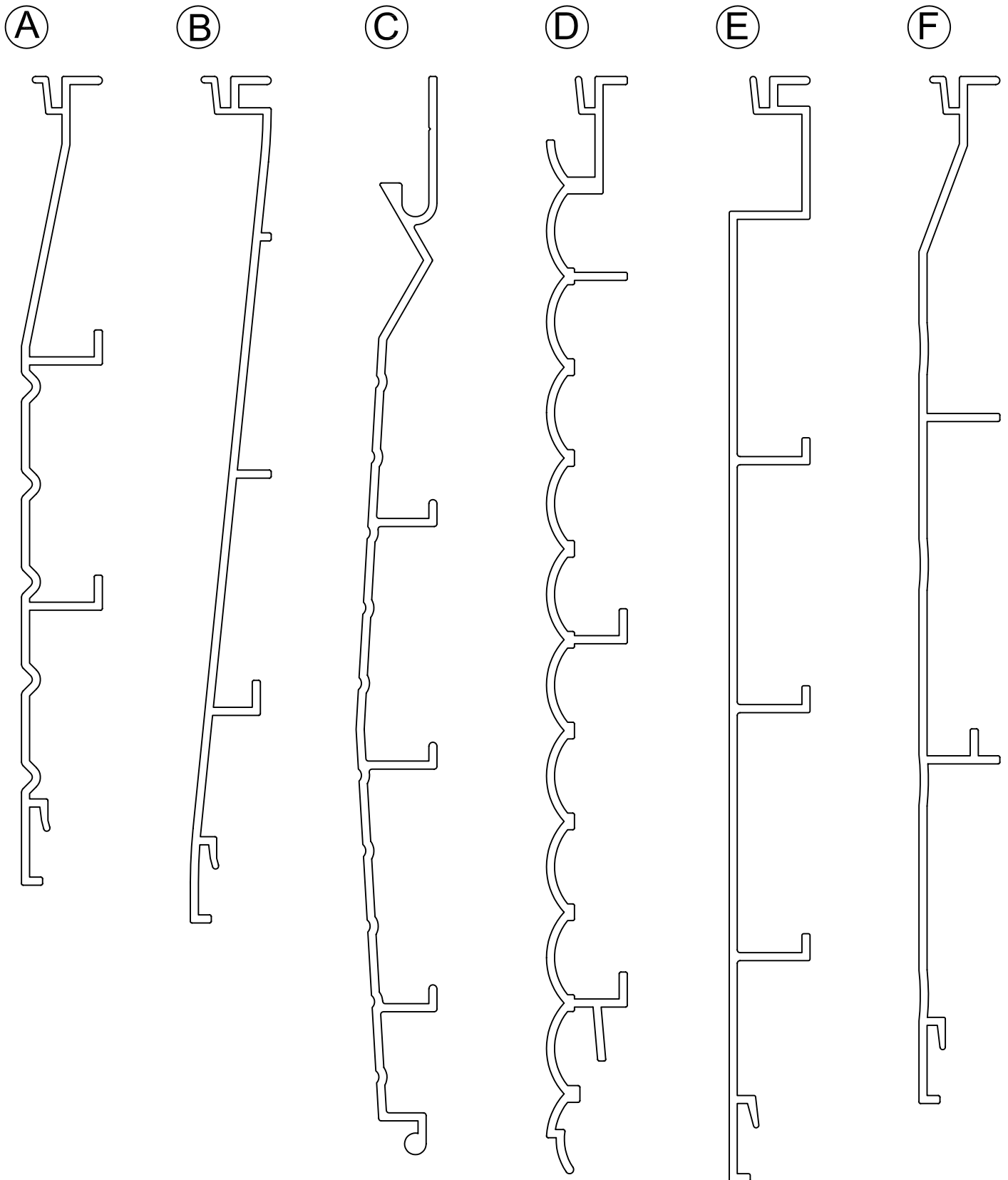
CONTENTS

Exterior Cladding Installation Manual

ULLTRACLAD

- Weatherboard Profiles
 - Flashing Profiles
 - Cross Sections
 - Wall Starter
 - Wall Starter Timber Floor
 - External Corner
 - Internal corner
 - Vertical Wall Jointer
 - Window Head
 - Window Jamb
 - Head / Jamb Isometric
 - Soffit Details
 - Parapet Deck Junctions
 - Meter Box Head & Sill Detail
 - Pipe Penetration
 - Roof / Wall Junction
 - Gutter Wall Junction Isometric
 - Gable End Design Detail
 - Contact Us Information
- Building Products Beyond The Standards

WEATHERBOARD PROFILES 1:1



A. UA4917 - 143mm Tee Board

B. UA5059 - 150mm Traditional Weatherboard

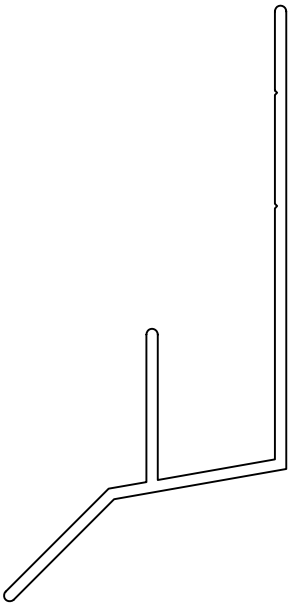
C. UA4705 - 174mm Vertical Weatherboard

D. UA5104 - 190mm Full Corrugated Weatherboard

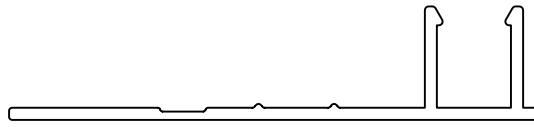
E. UA6478 - 200mm Shadoline Weatherboard

F. UA4528 - 184mm Standard Weatherboard

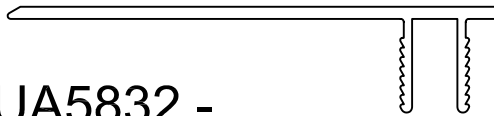
FLASHING PROFILES 1:1



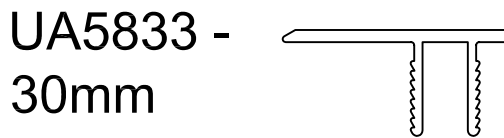
UA4533 -
Head Flashing



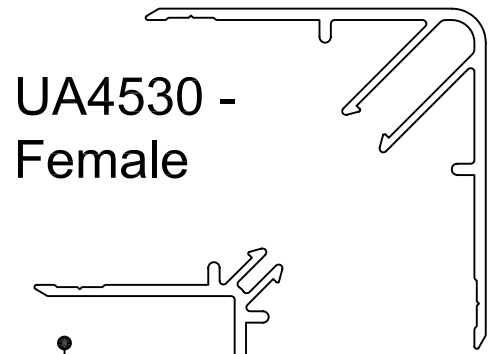
UA5831 -
Soffit Clip Base



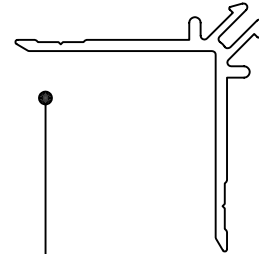
UA5832 -
Soffit Clip Top 65mm



UA5833 -
30mm
Clip Top

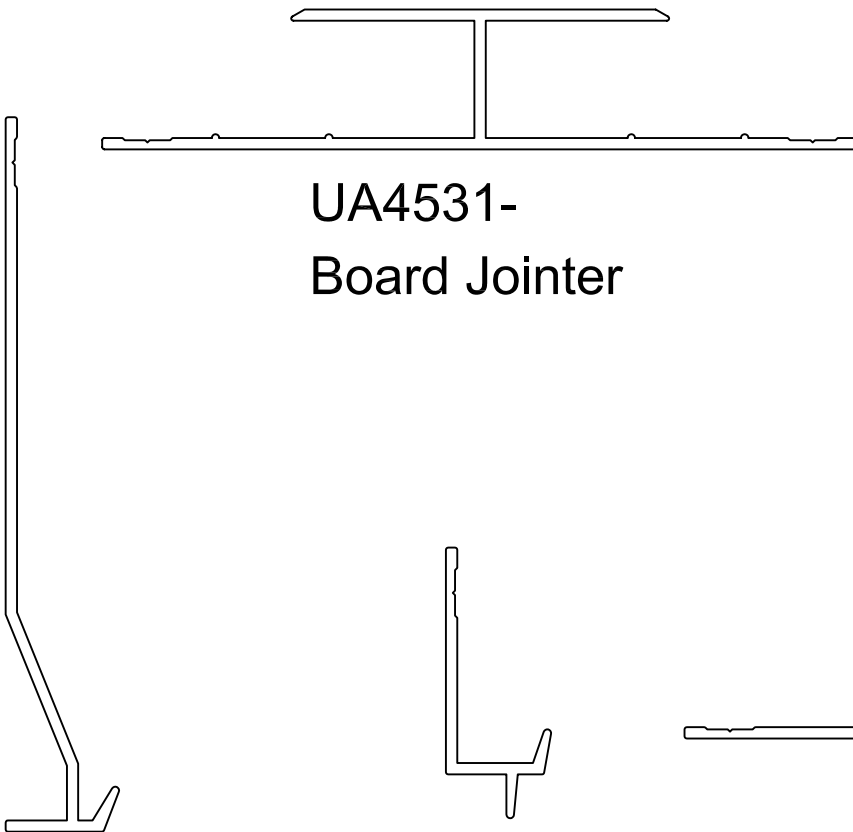


UA4530 -
Female



UA4529 -
Male

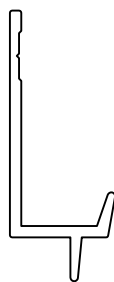
Corner Flashing
External / Internal



UA4531 -
Board Jointer



UA4532 -
Window Flashing



UA4535 -
Locator Clip



UA4863 -
Vertical Board Starter

UA4862 -
Starter Strip

CROSS SECTIONS 1:2



UA5059 - 150mm Traditional Weatherboard



UA4917 - 143mm Tee Board



UA4705 - 174mm Vertical Weatherboard



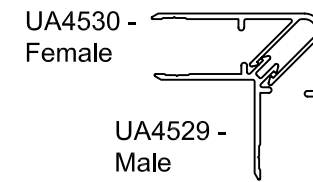
UA5104 - 190mm Full Corrugated Weatherboard



UA4528 - 184mm Standard Weatherboard

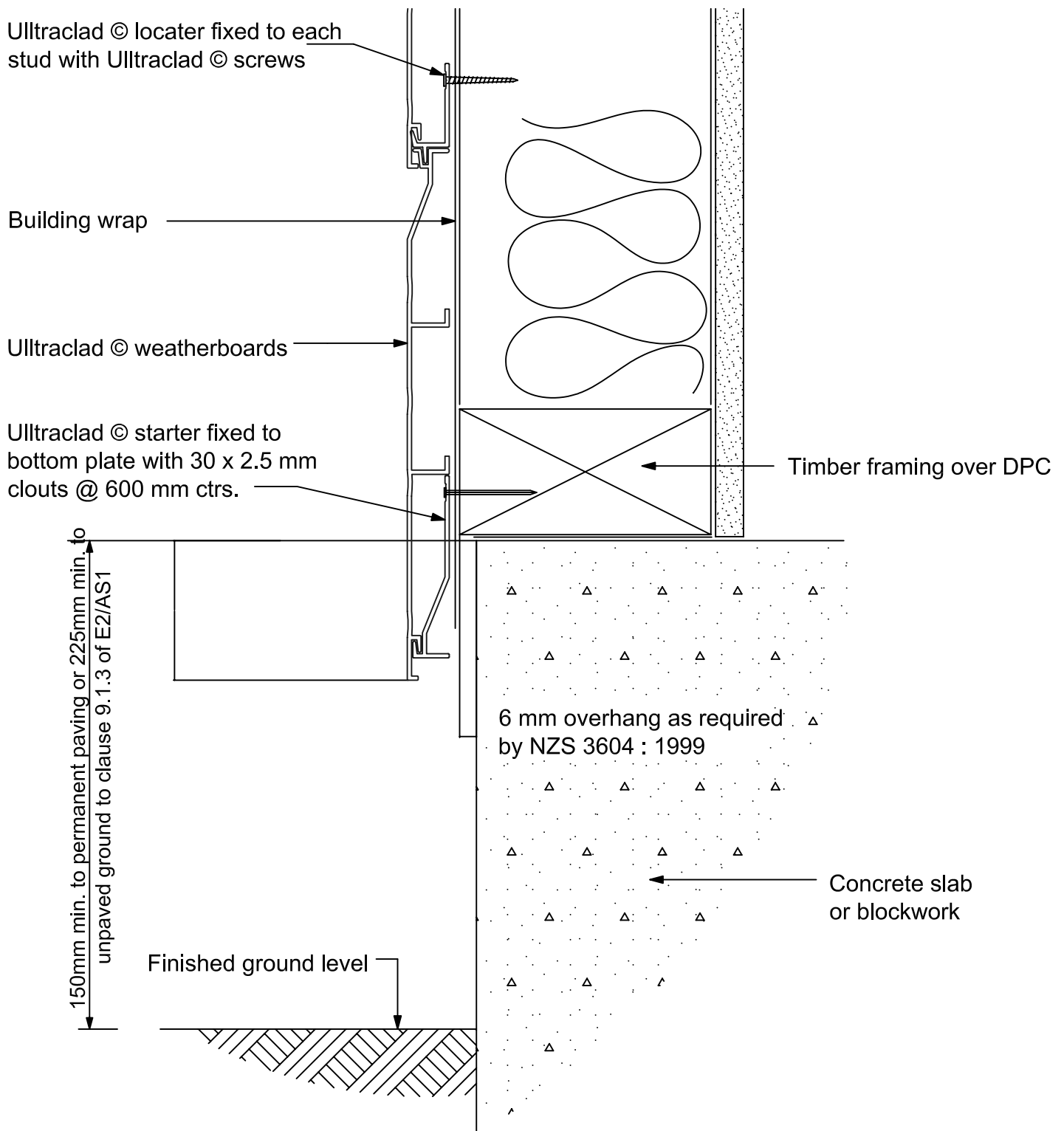


UA6478 - 200mm Shadoline Weatherboard



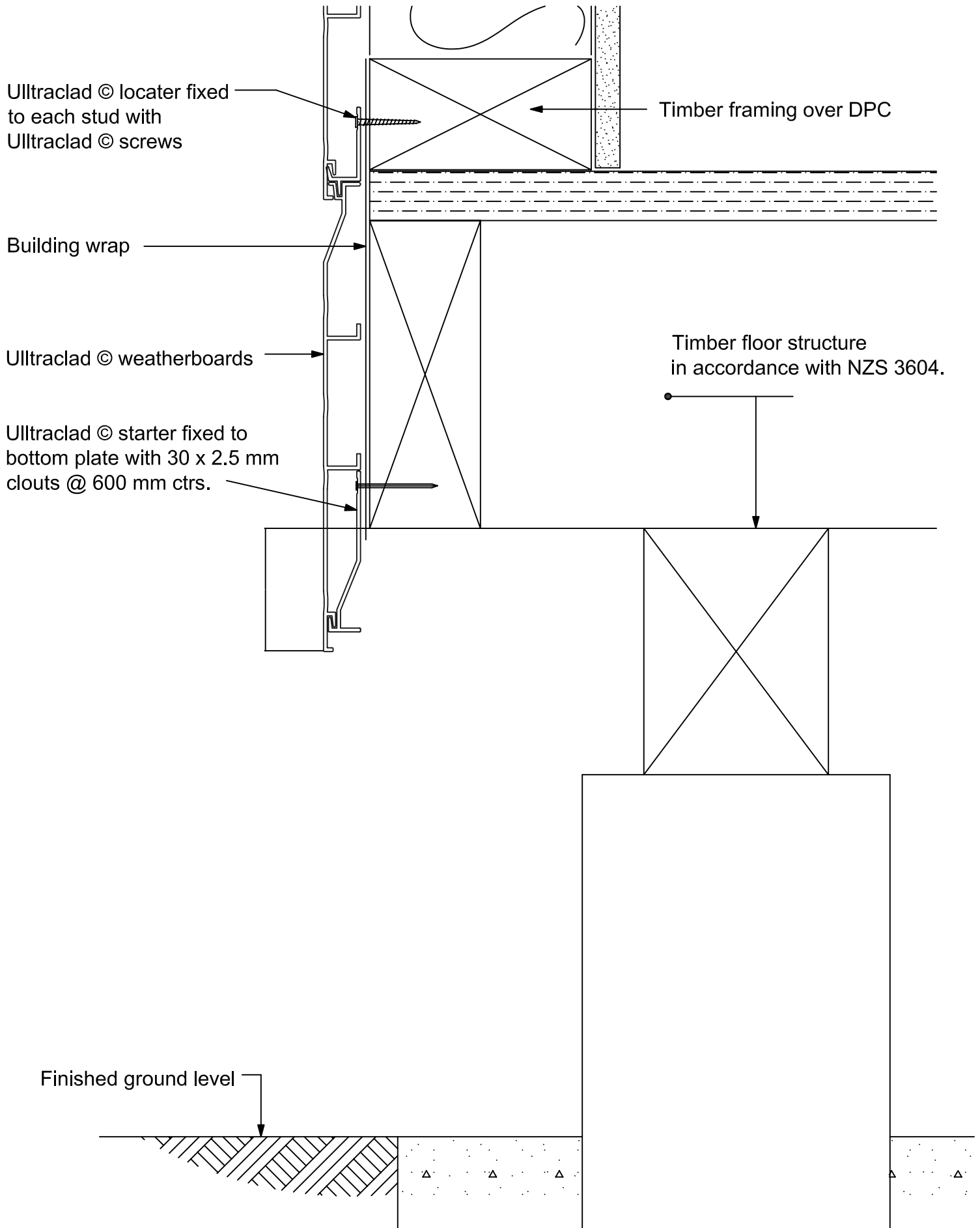
Corner Flashing
Internal / External

INSTALLATION DETAILS 1:2



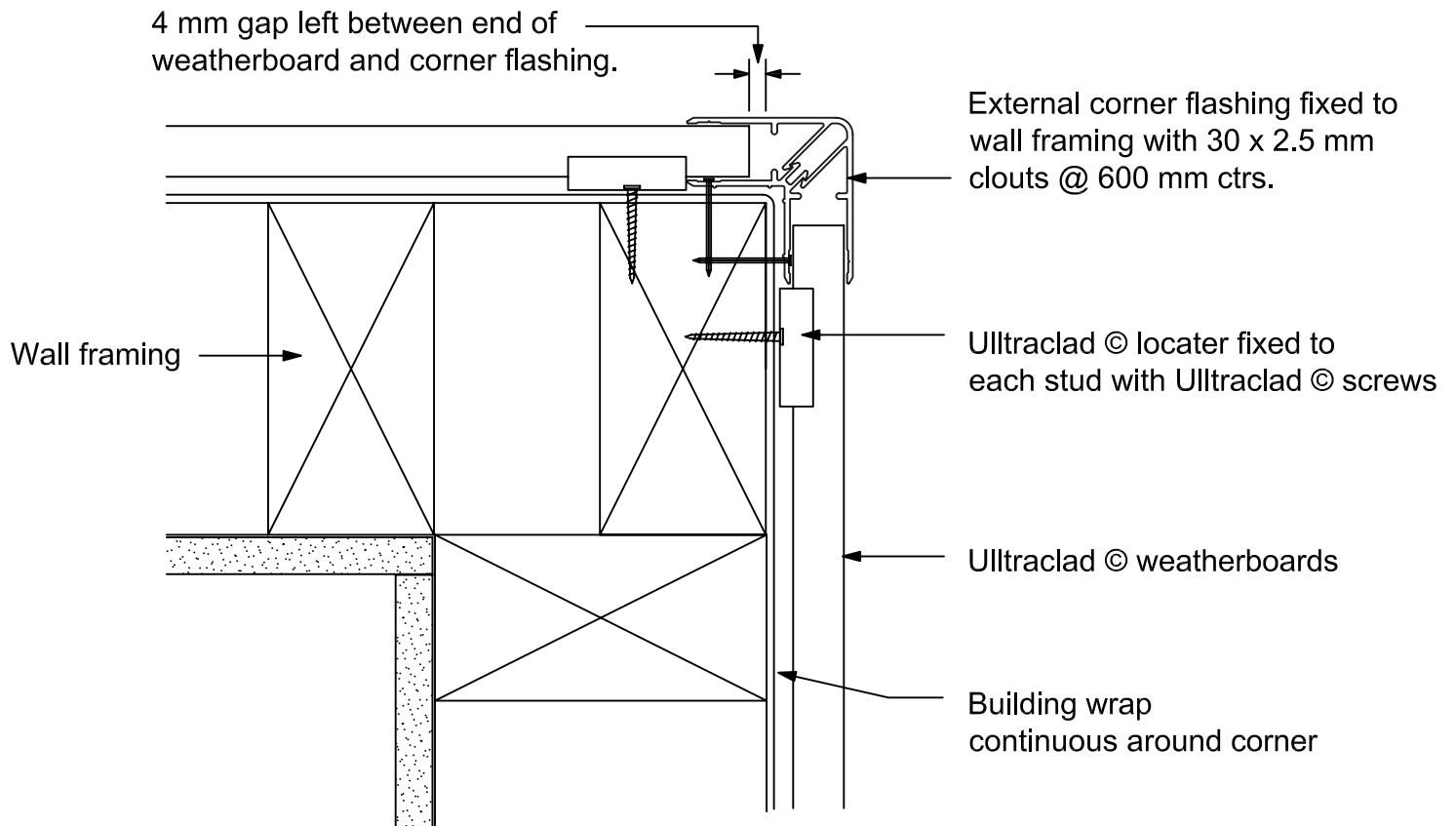
WALL STARTER

INSTALLATION DETAILS 1:2



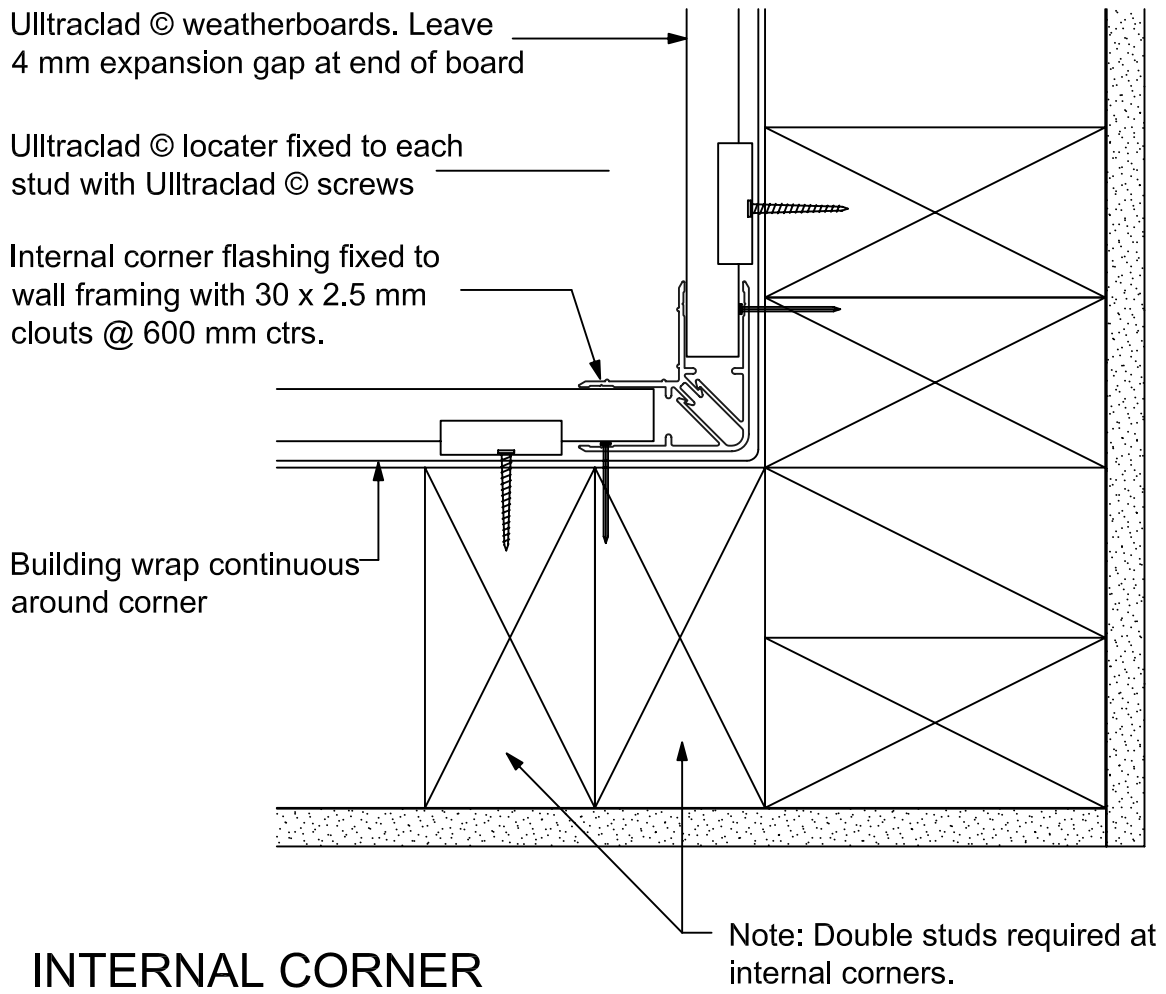
WALL STARTER TIMBER FLOOR

INSTALLATION DETAILS 1:2

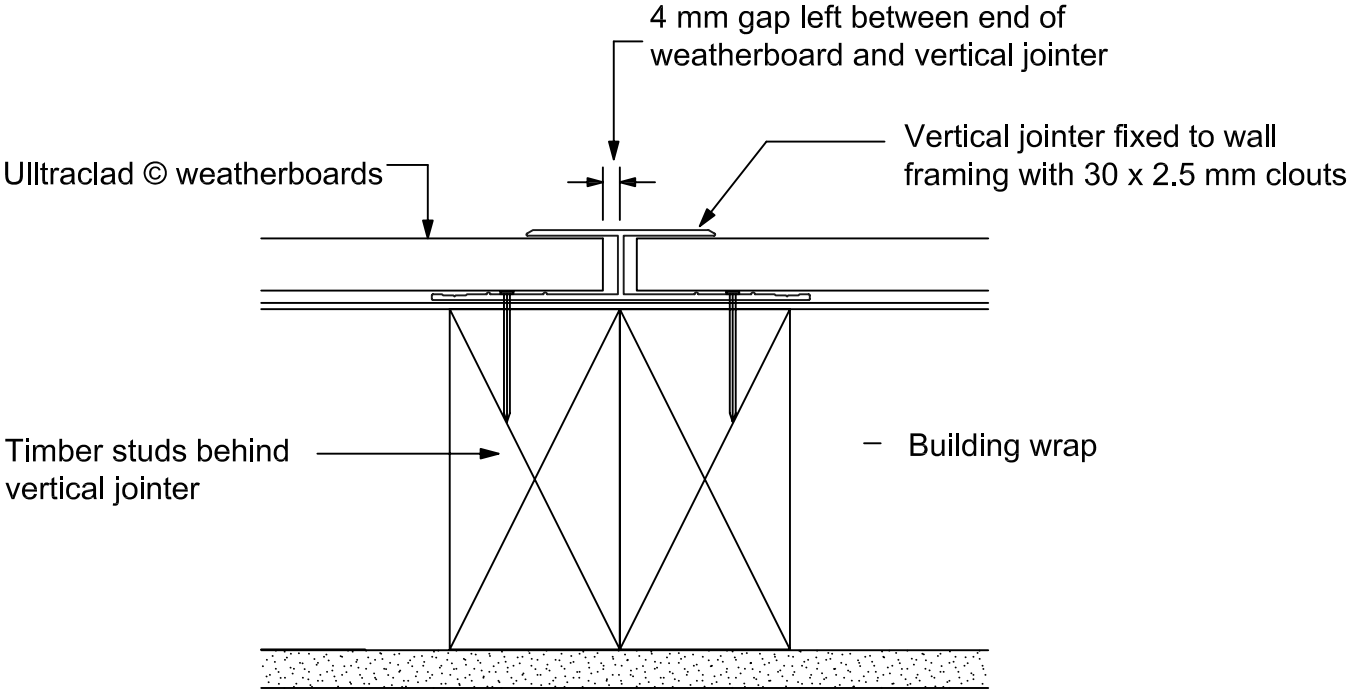


EXTERNAL CORNER

INSTALLATION DETAILS 1:2

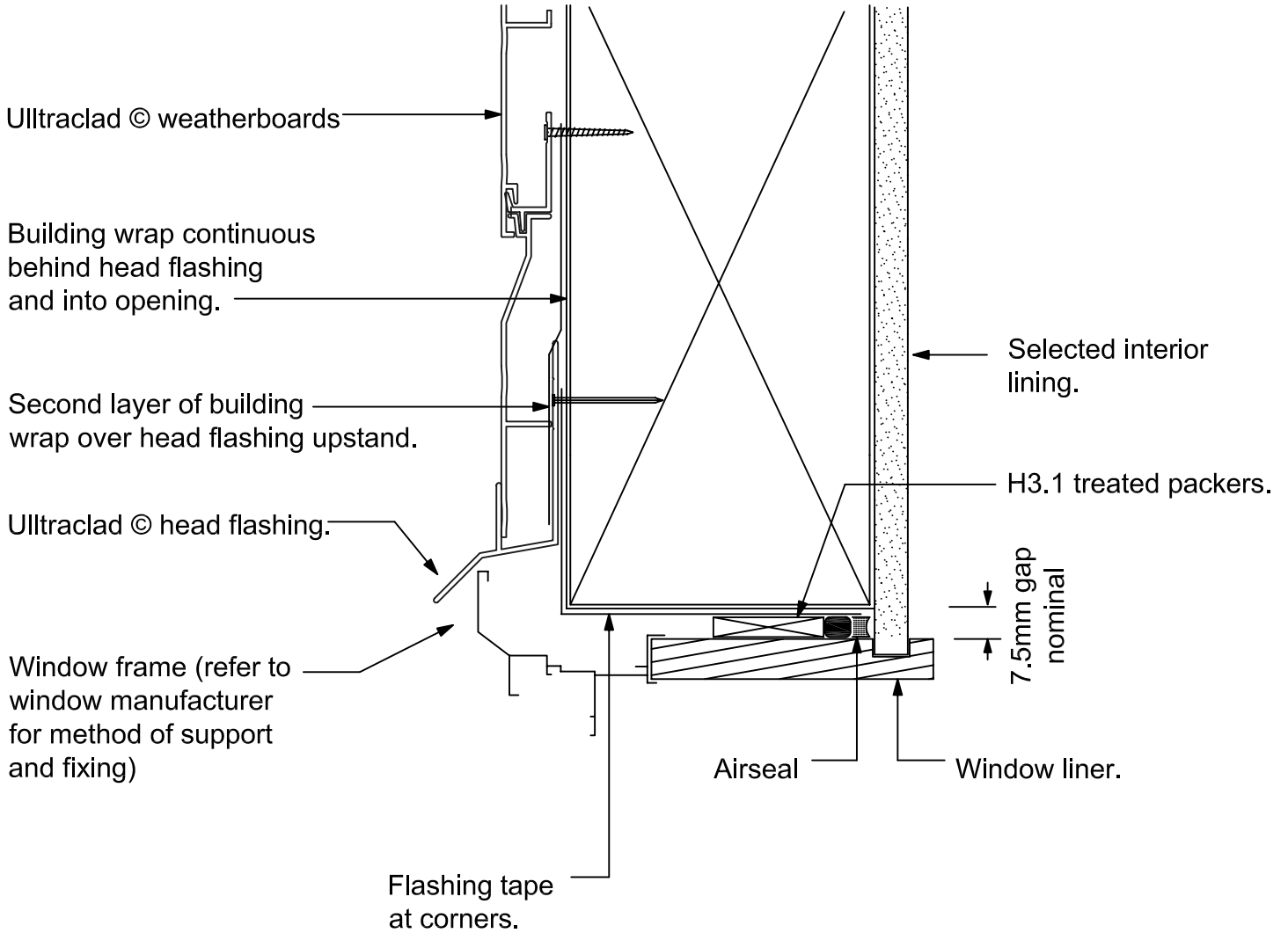


INSTALLATION DETAILS 1:2



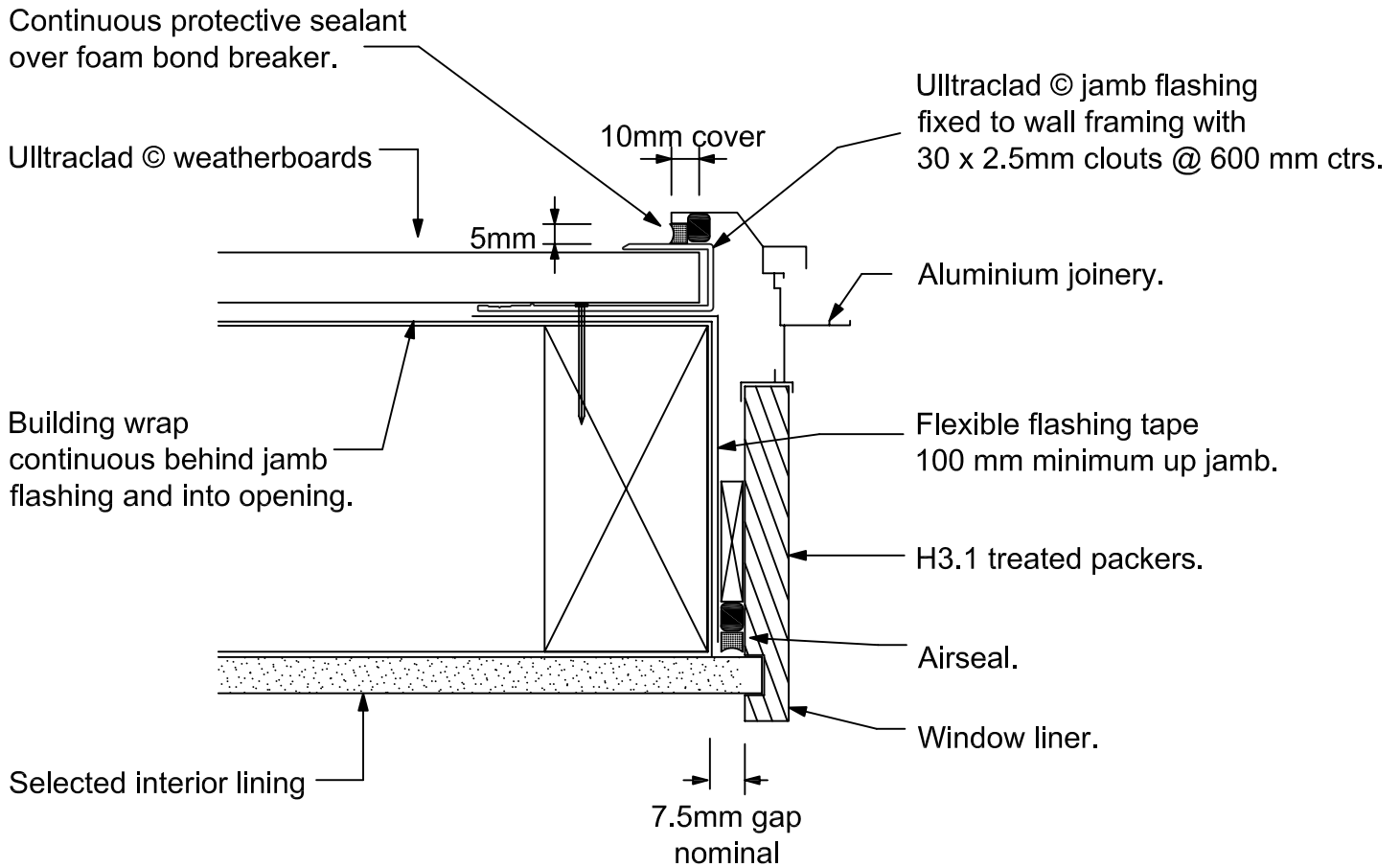
VERTICAL WALL JOINTER

INSTALLATION DETAILS 1:2



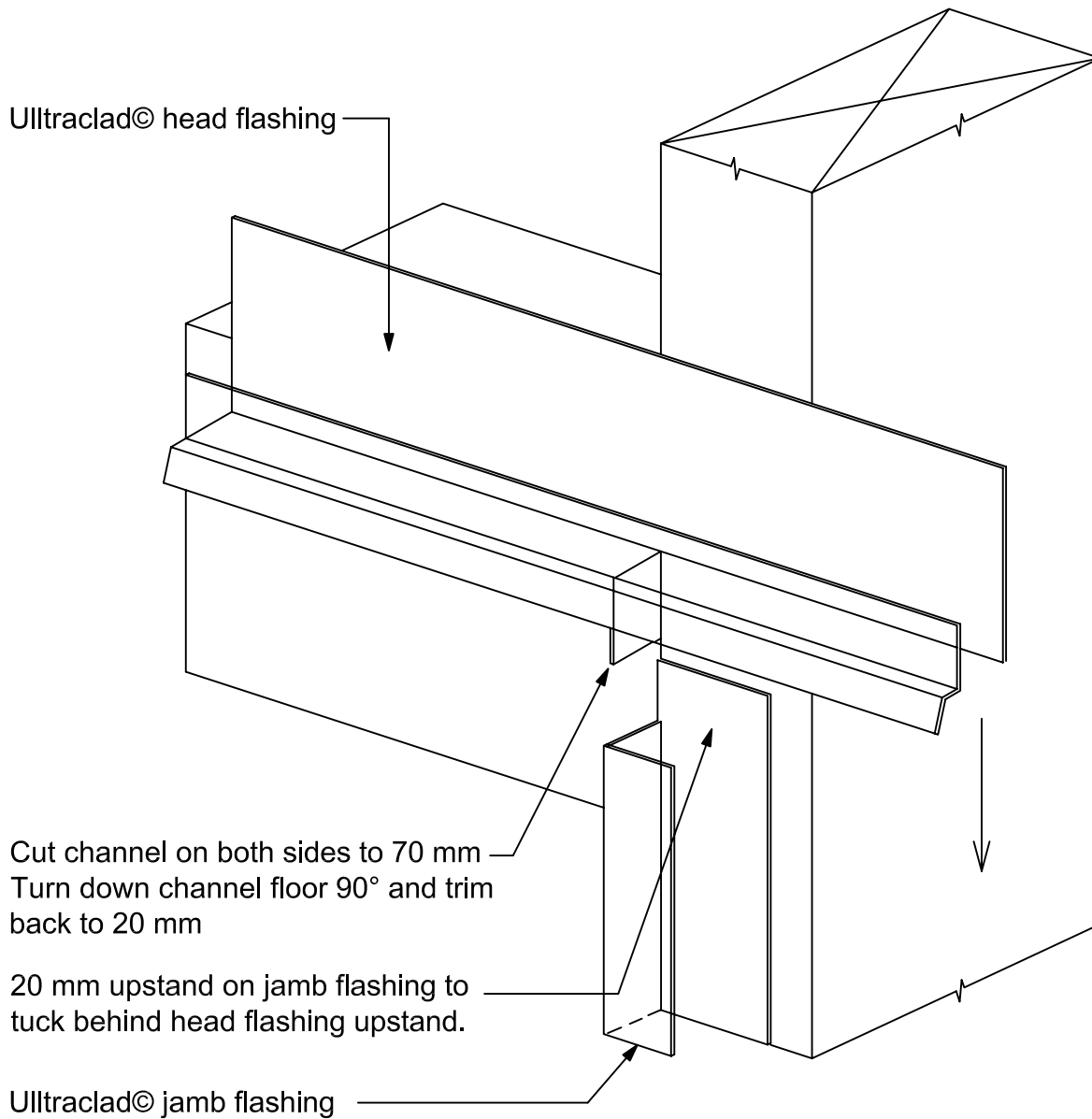
WINDOW HEAD

INSTALLATION DETAILS 1:2



WINDOW JAMB

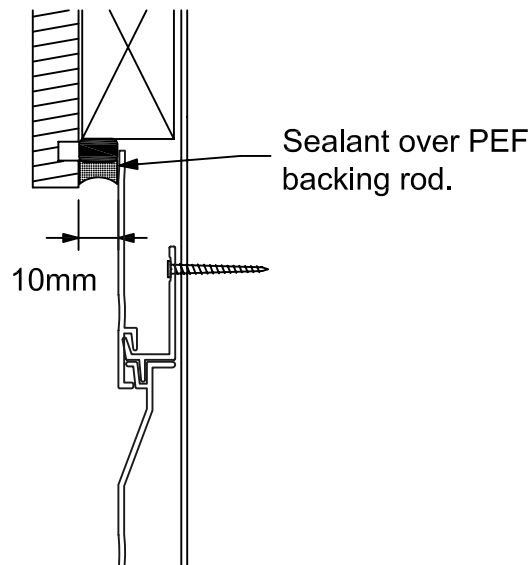
INSTALLATION DETAILS 1:2



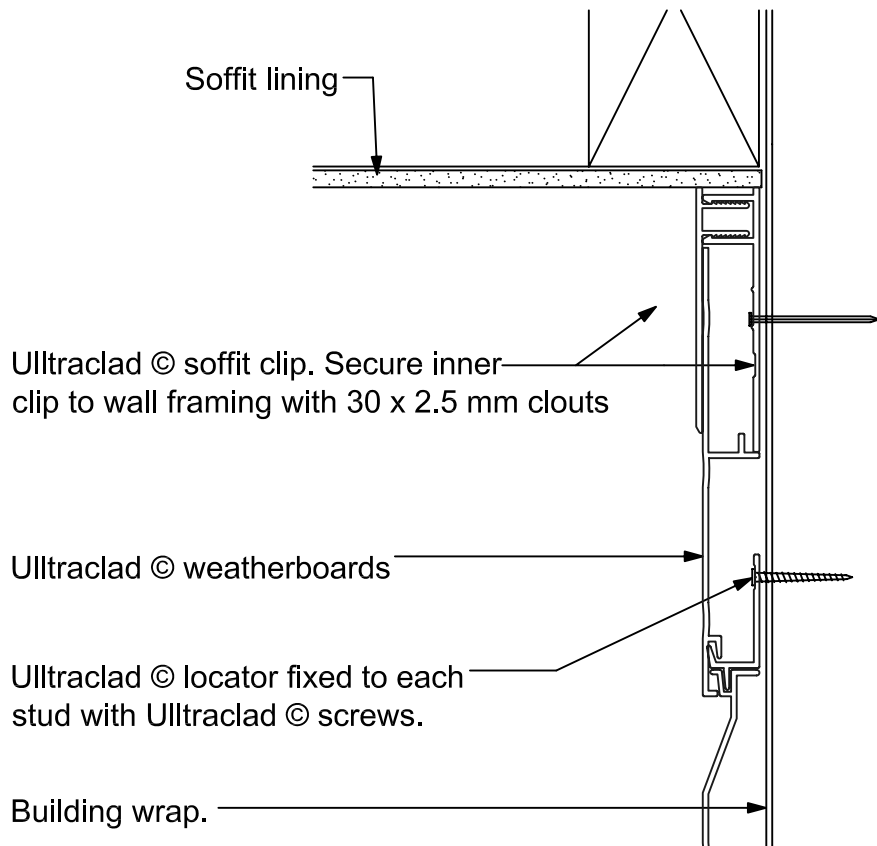
HEAD / JAMB ISOMETRIC

Note: Head flashing to extend 80 mm past edge of window or door joinery.
Building wrap and flashing tape omitted for clarity.

INSTALLATION DETAILS 1:2

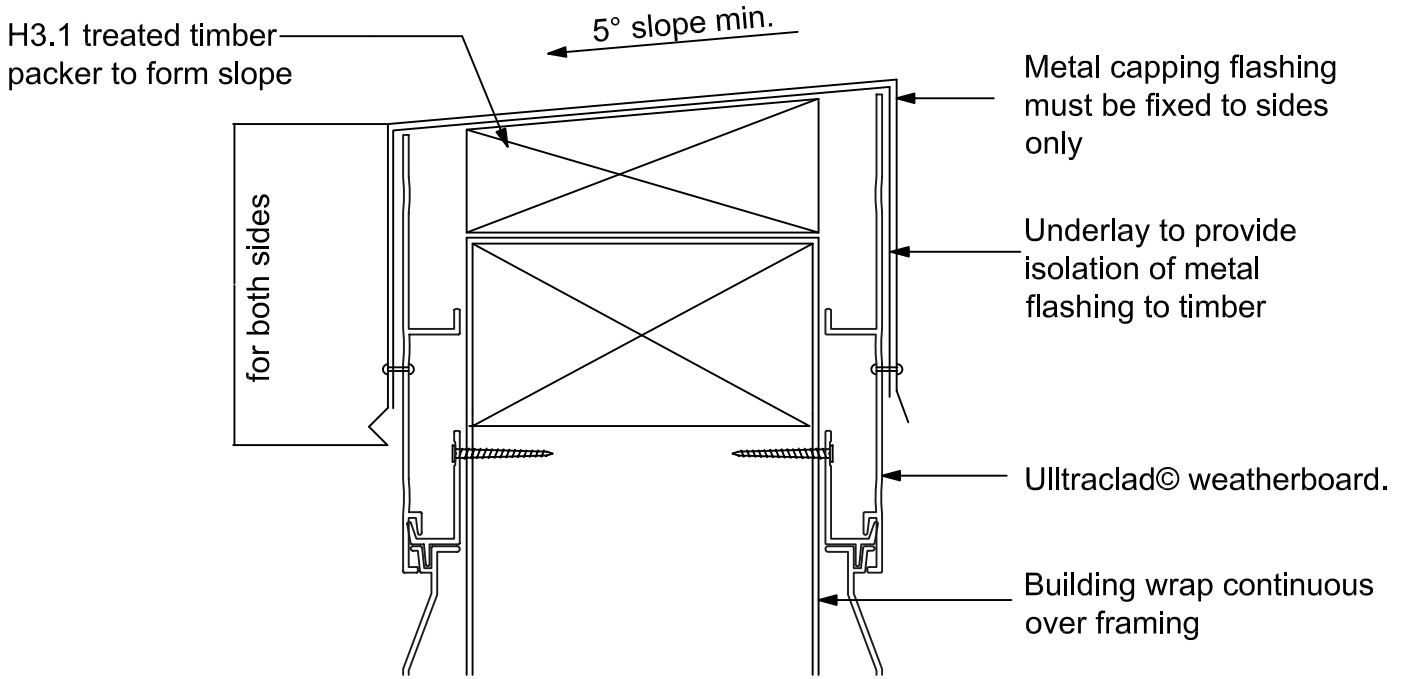


SOFFIT DETAIL WITHOUT EAVES

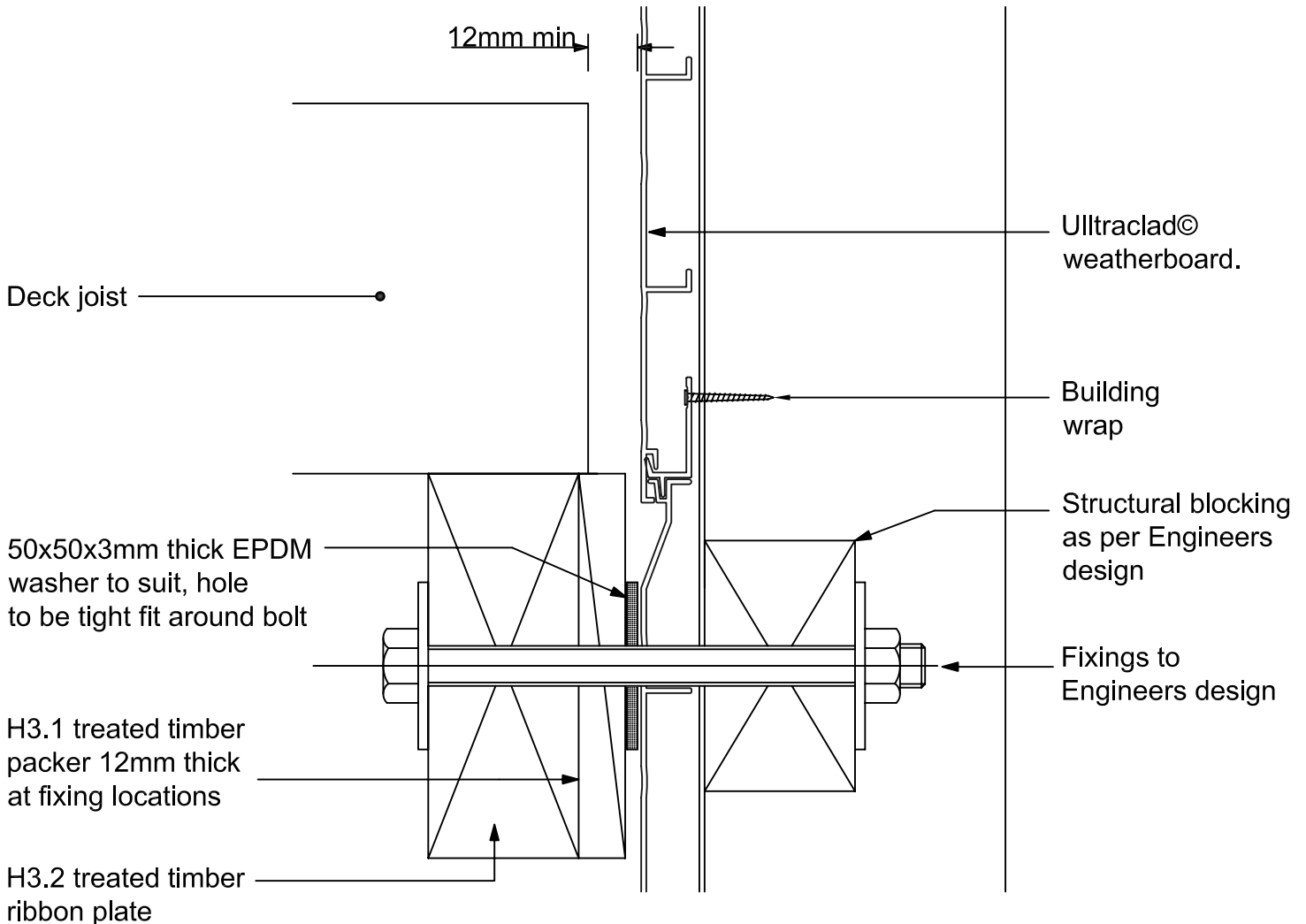


SOFFIT DETAIL

INSTALLATION DETAILS 1:2

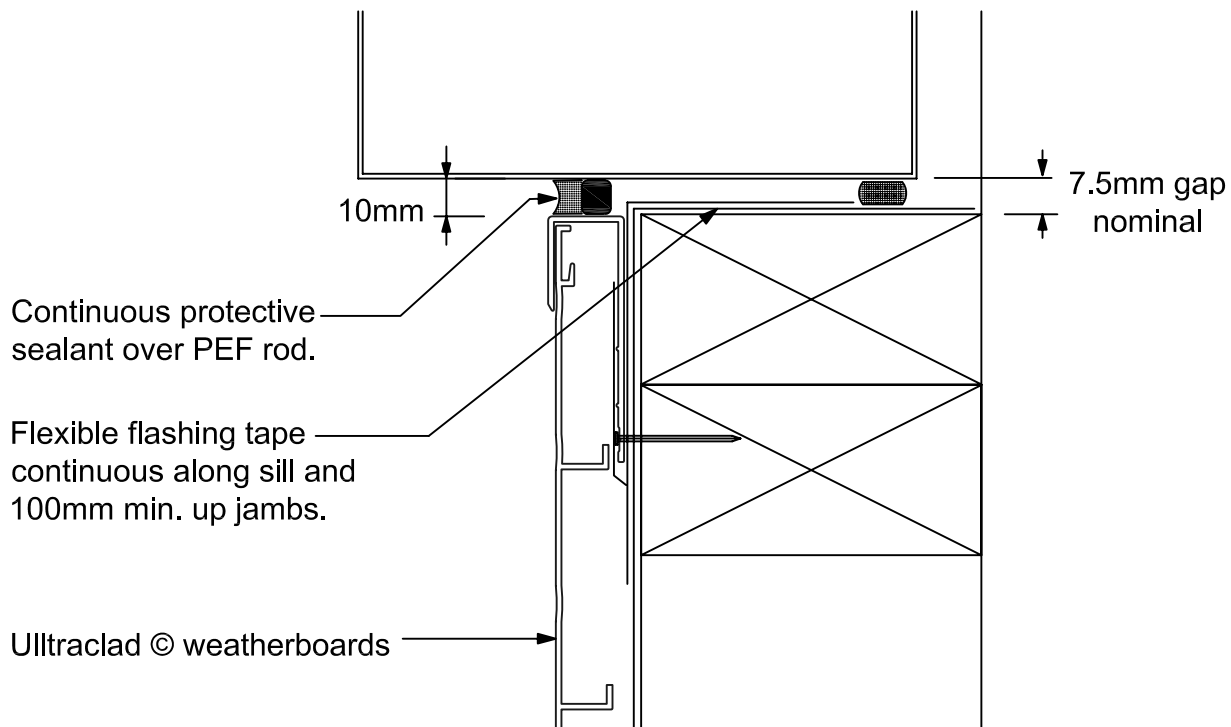
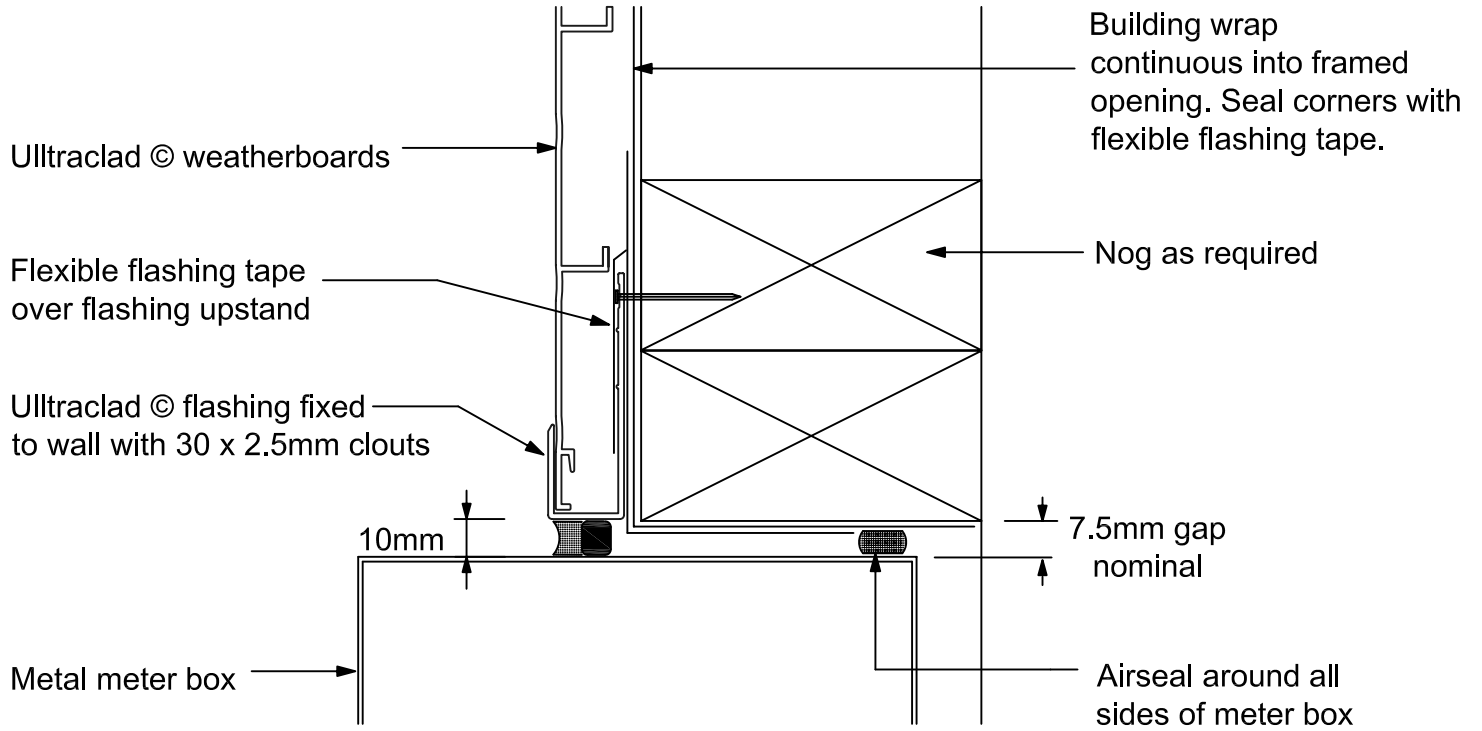


PARAPET FLASHING



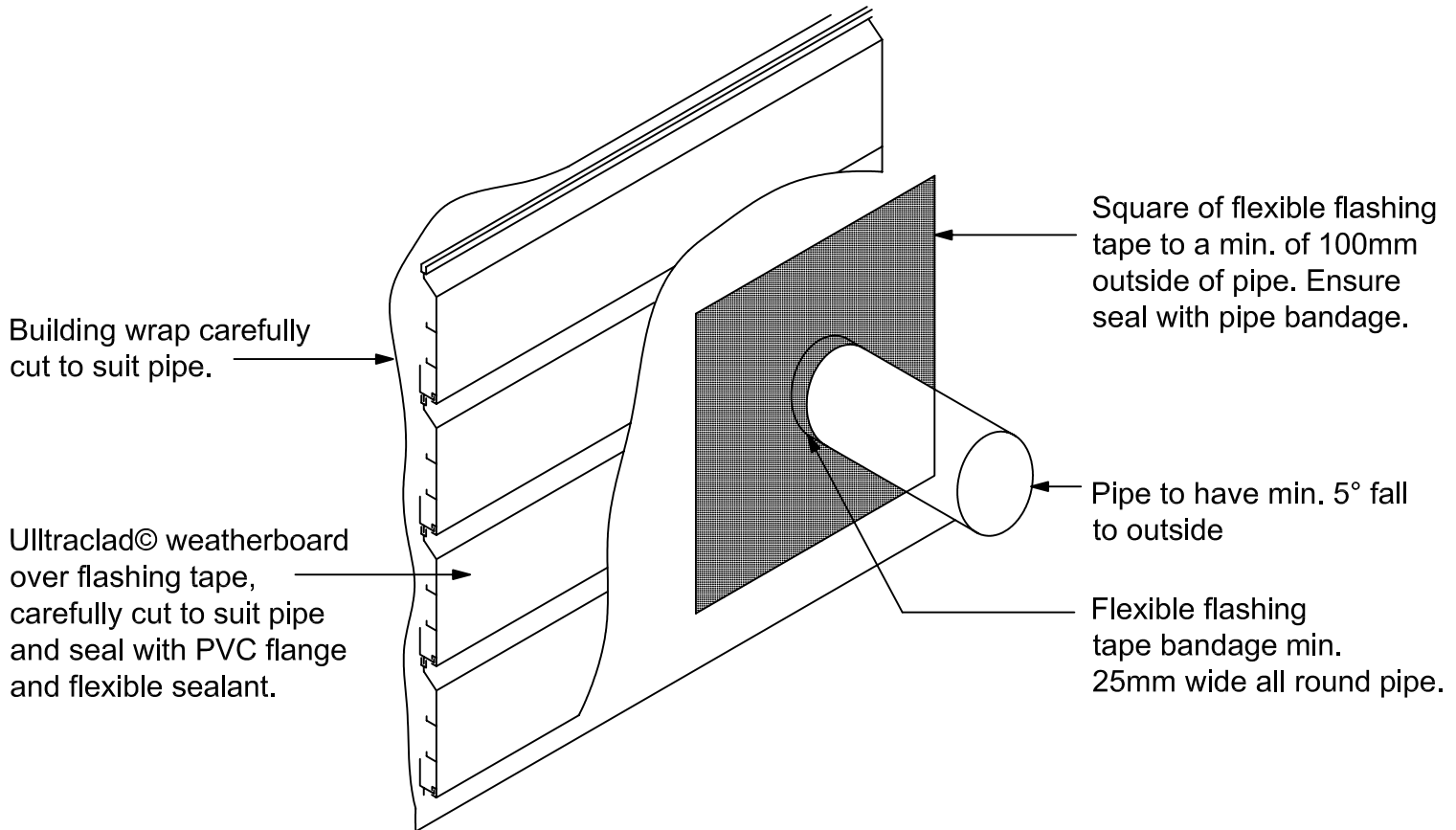
DECK JUNCTION

INSTALLATION DETAILS 1:2



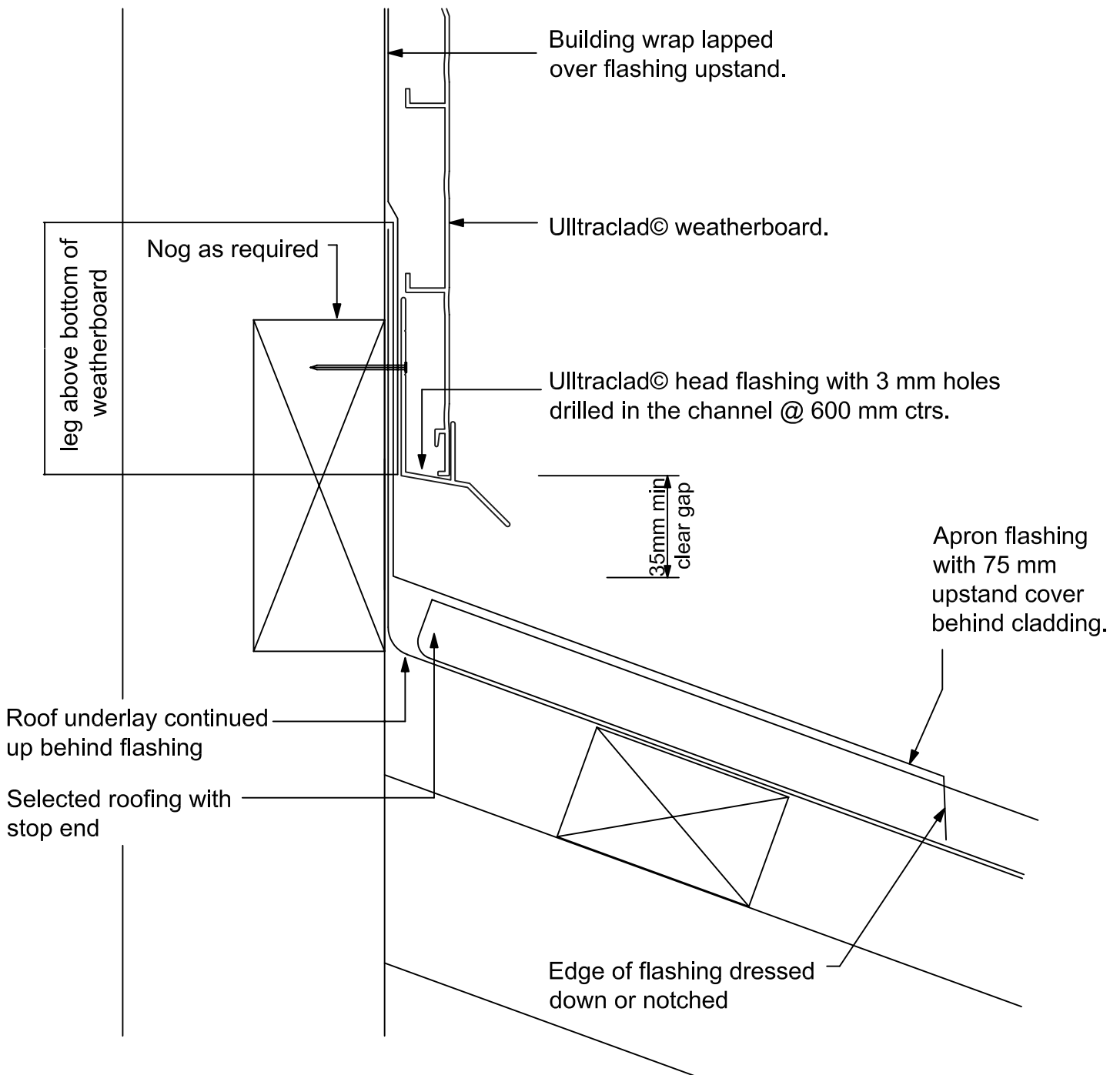
METER BOX HEAD AND SILL DETAIL

INSTALLATION DETAILS 1:2



PIPE PENETRATION

INSTALLATION DETAILS 1:2

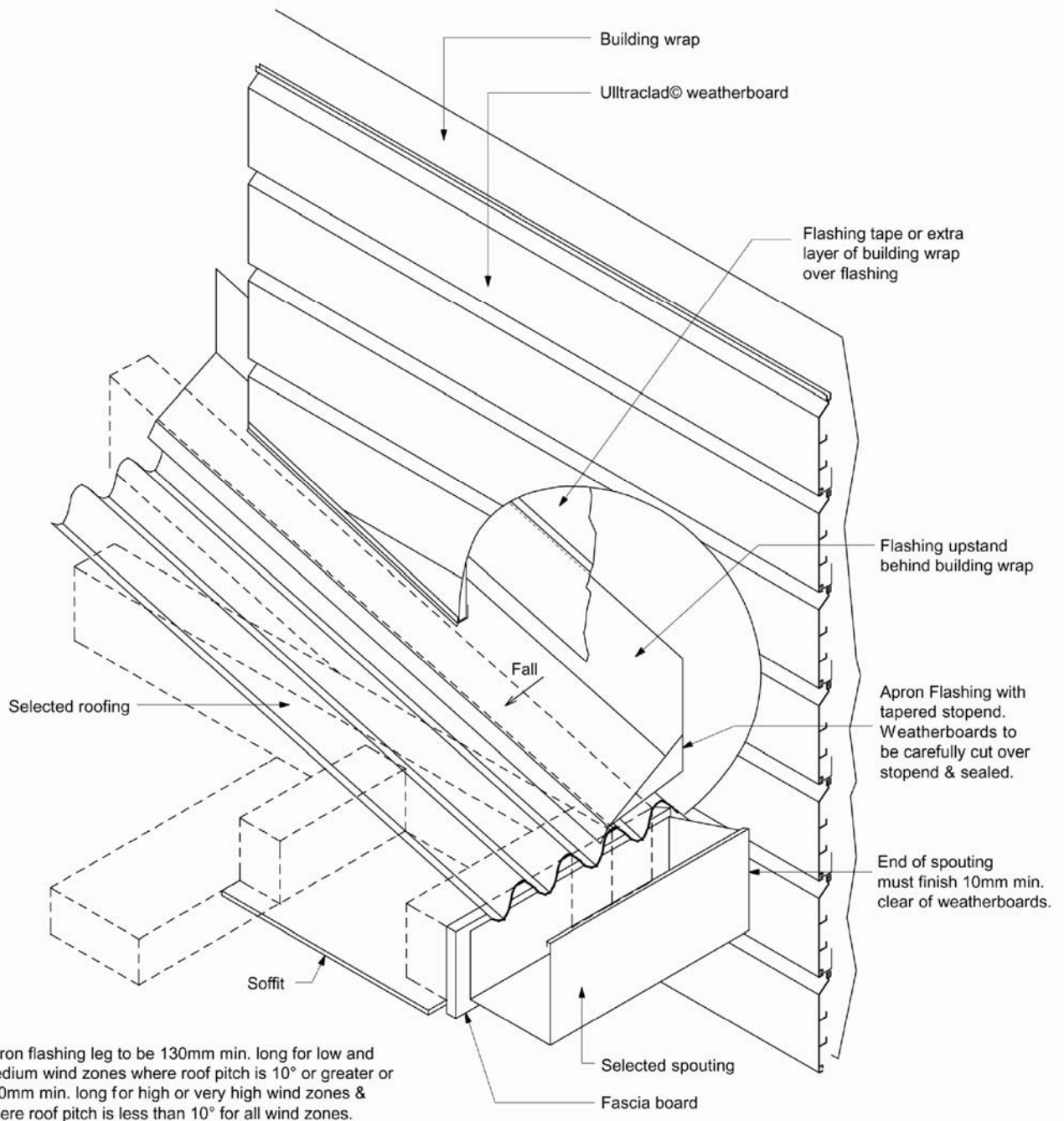


NOTE

Apron flashing leg to be 130mm min. long for low or medium wind zones where roof pitch is 10° or greater or 200mm min. long for high or very high wind zones and where roof pitch is less than 10° for all wind zones.

ROOF / WALL JUNCTION

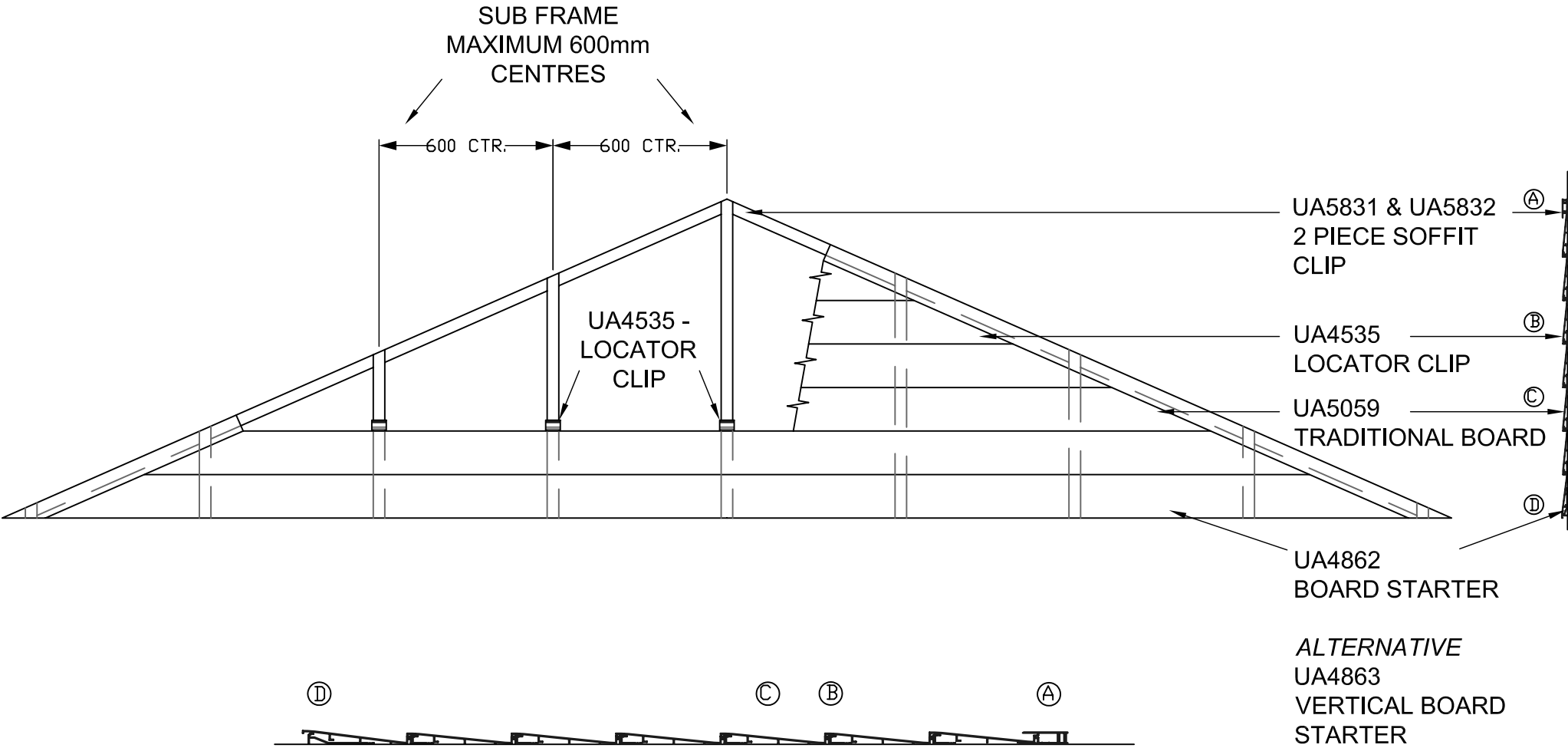
INSTALLATION DETAILS 1:2



GUTTER / WALL JUNCTION

INSTALLATION DETAILS 1:20

GABLE END DESIGN DETAIL



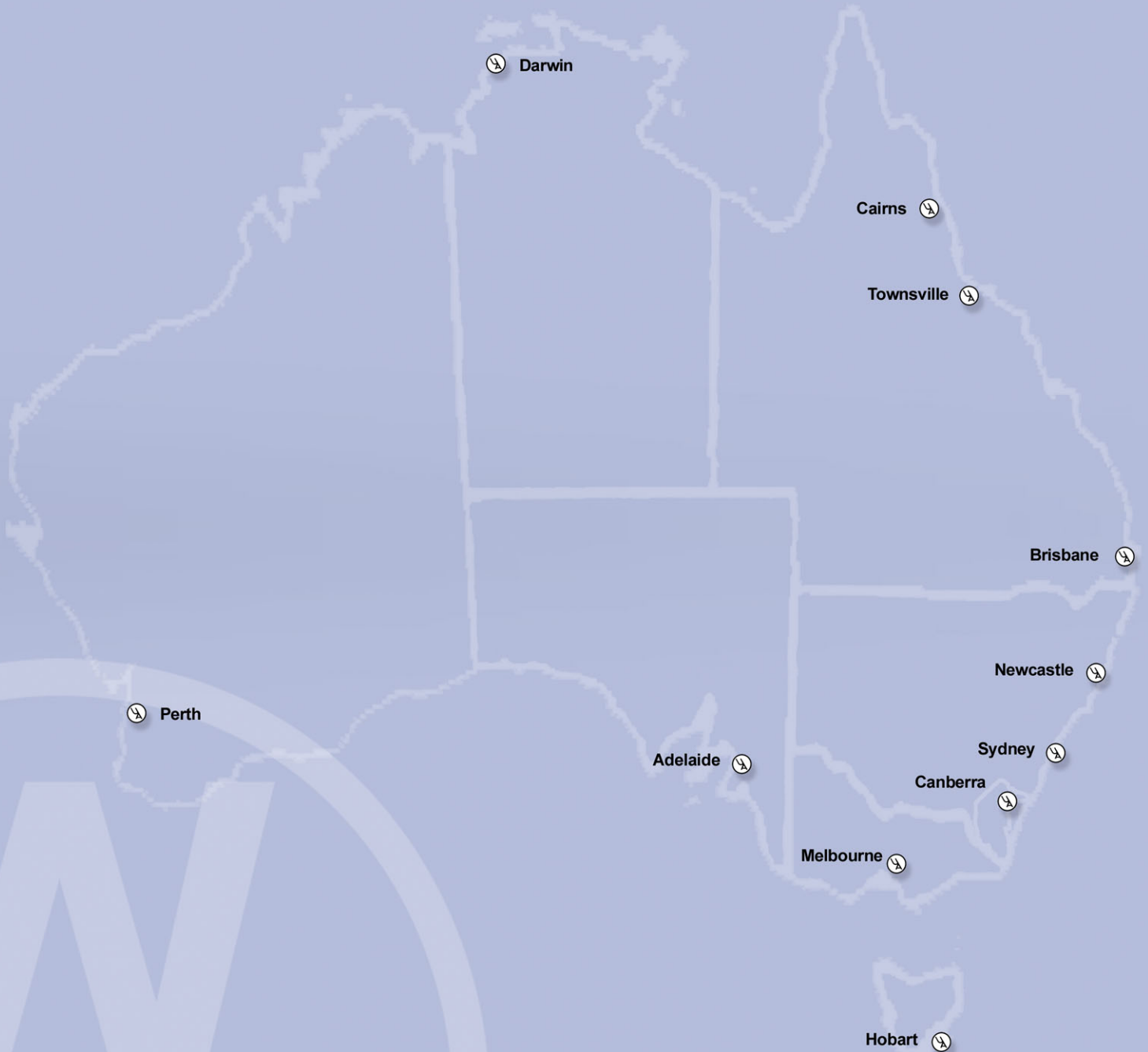
DETAIL SCALE: 1:8

ULLRICH

Wintec Aluminium Stock



*Wintec Aluminium sections are stocked
throughout Ullrich Aluminium branches
Australia wide*



*Looking for more information about
Wintec Aluminium? Visit us on the web at
www.wintecaluminium.com.au
P 07 5535 4477*



ULLTRACLAD

Building Products Beyond The Standards