

**Linium<sup>®</sup>  
Suite  
Expressing  
Precise  
Lines**

# Linium® Suite

---

Criterion's Linium Suite offers a 25mm reveal presenting a precise, outlined finish and a professional result. Linium glazed partitioning allows light to create an atmosphere of space where focus and creativity can be enhanced.

Incorporating a range of adaptors, a heavy duty door frame with the three point fixing design and a variety of glazing options, the Linium Suite has been used in many projects throughout Australia for its slimline and precise appearance.

Take a look inside and discover 'the expression of precise lines'.



# Linium® 90

Expressing precise lines.

The Linium 90 Suite incorporates 64mm studs and 13mm plasterboard. This slimline system offers an array of design possibilities with three glazing options; centre, offset and double glazed. All three glazing options are interchangeable and can also work in conjunction with selected Platinum 90 sections. Linium 90 has been designed with precision for ultimate installation efficiency.

### Features of the Linium 90

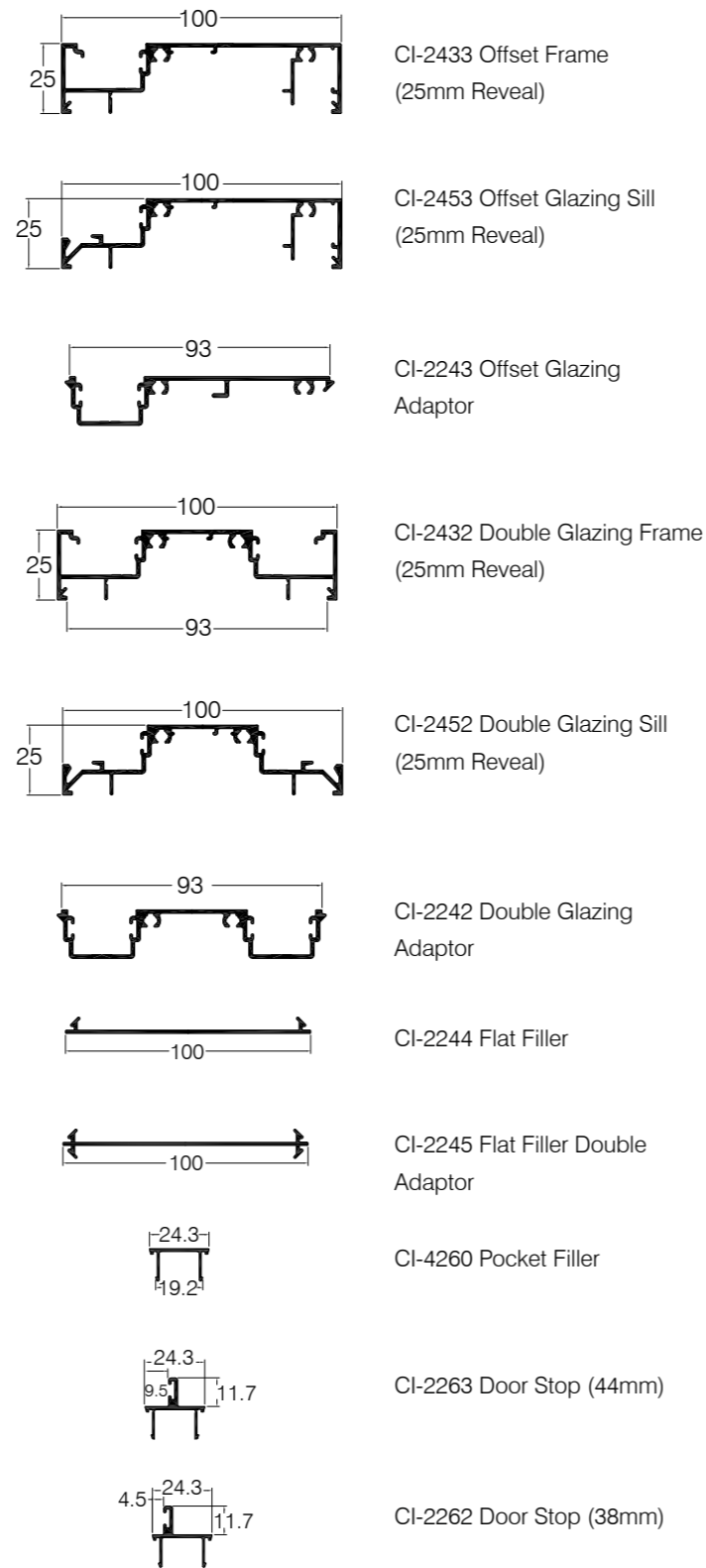
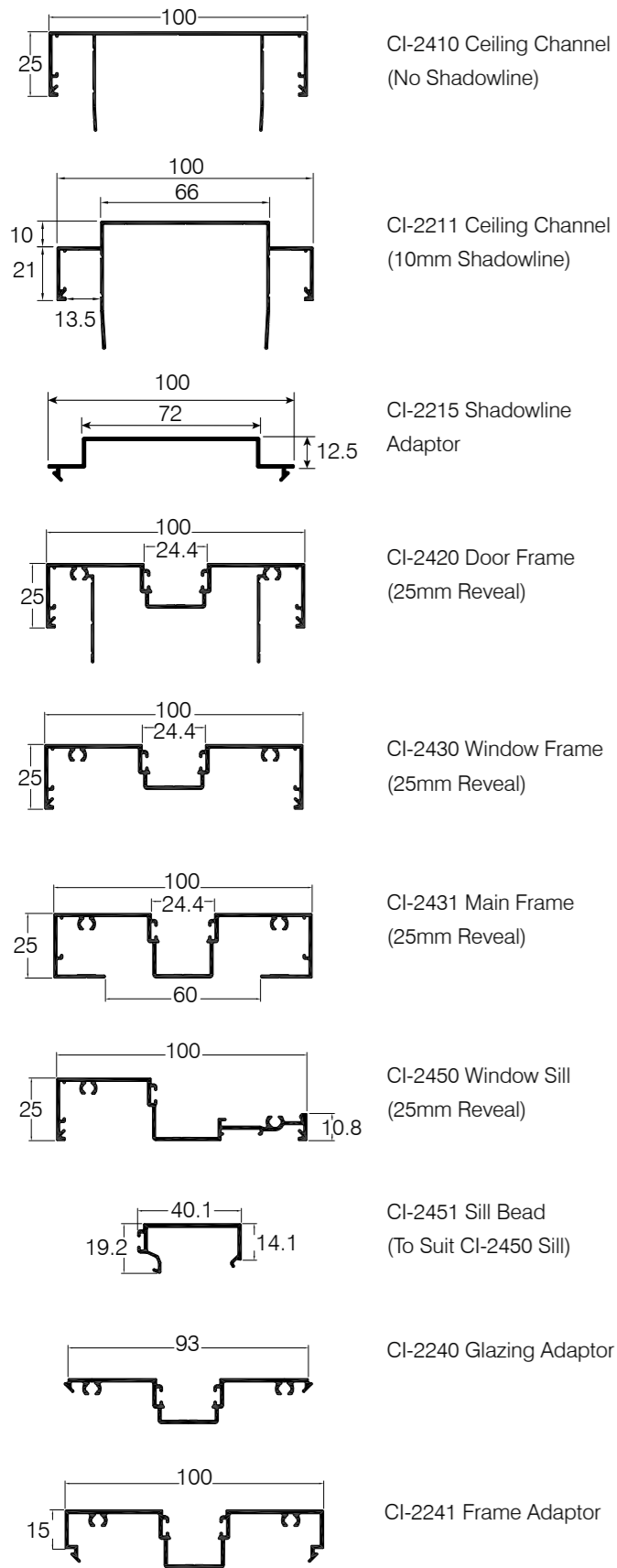
- Superior acoustic performance
- Estimated sound rating for solid plasterboard walls:
  - RW 35 (without insulation)
  - RW 40 (with CAB3 Polyester Insulation)
- Provides two plasterboard options:
  - 1) 64mm studs with a single layer of 13mm plasterboard on either side of the stud, or
  - 2) 51mm studs with a double layer of 13mm plasterboard

- on one side of the stud and a single layer on the other
- Glazing pocket incorporates 6mm to 12.38mm glass
- Door Stop options allow for 35mm, 38mm or 44mm doors
- Glazing pocket accepts either rubber or silicone glazing option
- Window/Door frames and Ceiling Channel accommodates gussets providing enhanced joining capabilities



# Linium® 90 Suits up to 12.38mm Glass

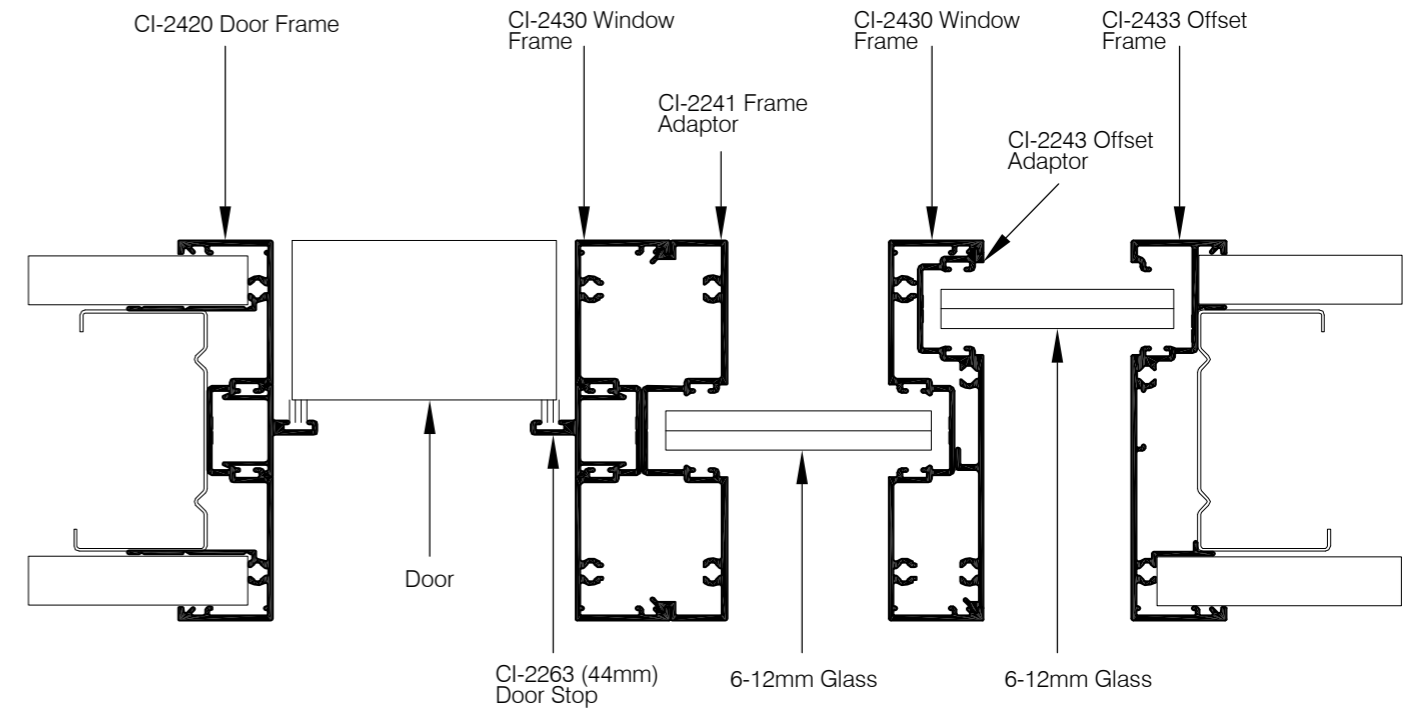
To suit 64mm Studs



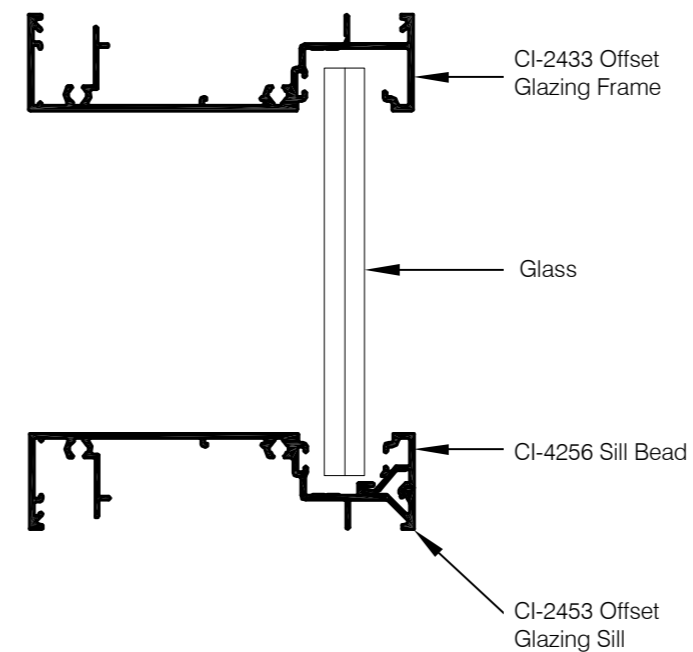
# Linium® 90 Suits up to 12.38mm Glass

To suit 64mm Studs

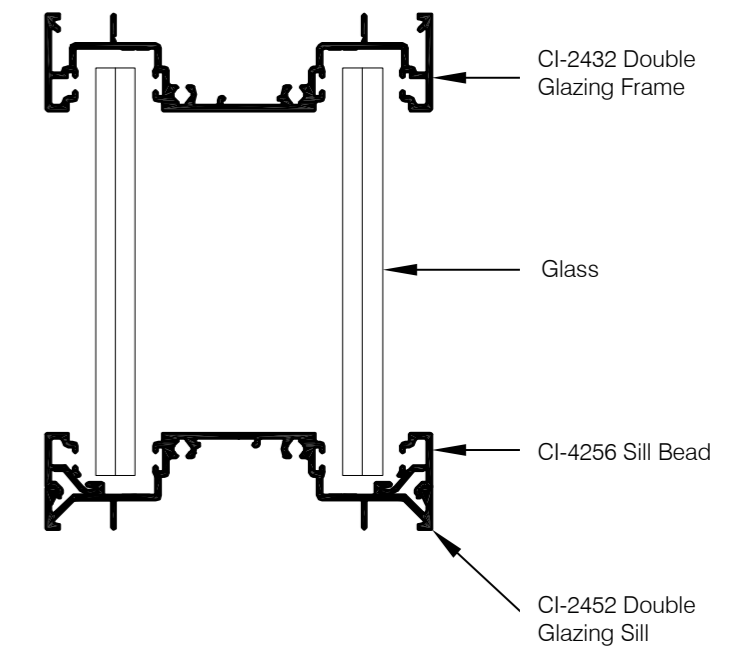
## Plan View



## Offset Glazing Elevation



## Double Glazing Elevation



**Criterion Industries (VIC)**

15 Corporate Place  
Broadmeadows VIC 3047

Telephone 03 9355 0700  
Facsimile 03 9355 0777

[sales@criterionindustries.com.au](mailto:sales@criterionindustries.com.au)  
[www.criterionindustries.com.au](http://www.criterionindustries.com.au)

**Criterion Industries (NSW)**

95 Victoria Street  
Smithfield NSW 2164

Telephone 02 9355 0700  
Facsimile 02 9355 0777

[sales.nsw@criterionindustries.com.au](mailto:sales.nsw@criterionindustries.com.au)  
[www.criterionindustries.com.au](http://www.criterionindustries.com.au)

**Criterion Industries (WA)**

58 Tacoma Circuit  
Canning Vale WA 6155

Telephone 08 9355 0700  
Facsimile 08 9355 0702

[sales.wa@criterionindustries.com.au](mailto:sales.wa@criterionindustries.com.au)  
[www.criterionindustries.com.au](http://www.criterionindustries.com.au)