

- > Proudly Australian Owned and locally Manufactured
- > Service Support: 24 hours a day seven days a week
- > Innovative seamless design integration
- > Eye catching aesthetics
- > Slimline profile
- > Engineered for performance in high density traffic flow environments
- > To suit Timber, Aluminium Framed, Glass, Doors
- > Custom made to suit your project needs
- > A host of actuation options available
- > Interface with all Access control options
- > Device Manager Control Pad or key switching options

- > Over engineered to move door weights of 200kg
- > Extremely safe operation featuring automatic stop. Installed in compliance to the safety elements of AS5007-2007
- > UPS System (optional) (Uninterrupted power Supply)
- > Powdercoated pelmet design
- > High security locking module (optional)
- > Steel reinforced belt
- > Whisper quiet operation
- > Climate control function available
- > Tailored maintenance packages available
- > Energy efficient
- > Market leading Warranties

Manufactured and installed for compliance to the BCA & AS5007-2007.



PROUDLY AUSTRALIAN OWNED AND MANUFACTURED
 AUTOMATIC ENTRY SOLUTIONS
 MODEL LSWLP

Queensland – Head Office

Address 46 Rowland Street, Slacks Creek, QLD 4127, Australia
 Postal PO Box 825, Springwood, QLD 4127, Australia
 Phone 61 7 3290 1500
 Fax 61 7 3290 1567
 National Toll Free 1300 138 750
 Email contact@autoingress.com.au
 Sales qldsales@autoingress.com.au

Victoria

Address Unit 37/189B South Centre Road, Tullamarine, VIC 3043, Australia
 Postal PO Box 300, Tullamarine, VIC 3043, Australia
 Phone 61 3 9330 2220
 Fax 61 3 9330 2228
 Sales vicsales@autoingress.com.au

Western Australia

Phone 1300 138 750
 Fax 1300 138 756
 Sales wasaes@autoingress.com.au

New South Wales

Address 6/19-26 Durian Place, Wetherill Park, NSW 2164, Australia
 Postal PO Box 6199, Wetherill Park BC, NSW 2164, Australia
 Phone 61 2 9756 6590
 Fax 61 2 9756 5210
 National Toll Free 1300 138 750
 Sales nswsales@autoingress.com.au

South Australia

Phone 1300 138 750
 Fax 1300 138 756
 Sales sasales@autoingress.com.au

Northern Territory

Phone 1300 138 750
 Fax 1300 138 756
 Sales ntsales@autoingress.com.au

Tasmania

Phone 1300 138 750
 Fax 1300 138 756
 Sales tassales@autoingress.com.au



MANUFACTURE
 DESIGN
 SALES
 SERVICE



LOGIC SWING - LP



TECHNICAL SPECIFICATIONS

< Motor & Gearbox

Designed to suit heavy duty applications, this model can operate up to 200kg per leaf in a wide range of applications. This unit is ideal for supermarkets, office buildings and retail shops. Incorporating an integral hall effect counter, this motor and gearbox provides perfect door positioning and whisper quiet operation.

< Master Key Options

For maximum entry security

Standard Key Options >

< Intelligent Controller

Using the latest Microcomputer technology we provide safe and intelligent control of the doors at all times. The Microcomputer accurately monitors every movement of the door and can also provide automatic compensation based on climatic conditions such as wind loads and normal wear. The Microcomputer has an inbuilt, self monitored and recalibrating feature to always reprogram itself back to it's peak performance settings. The Auto Ingress door operators are manufactured utilising high quality componentry with a primary focus on providing cost effective, trouble free and ongoing door opening solutions.

< Tailored Opening Solutions

Tailored opening functions – Climate control / Courier mode reduced opening settings for better efficiency and security.

< Quiet & Smooth

Vibration dampened – ensuring a quiet and smooth operation at all times.

Reset Switch >

< Swing Arm

Which ever way your door swings there is an arm that suits your needs. You have the choice of either push (open out) or slide arm (open in).

< Sensors

Are fully monitored computerized microwave and infrared sensors with adjustable sensitivity, range and selectable zone detection pattern.

< Safety Sensor

In strict accordance to AS5007 a safety sensor can be fitted to the head of the door that detects pedestrians in the swing door path then stop the door.

< Battery Back Up

Is supplied to maintain locking in the event of a power failure as well as to open the doors on an emergency signal when required.

Push Button Options >

< Electronic Locking

Is required when coupled up to an access control system. Allows easy, fast and secure locking of doors locally or from a remote location.

< Device Manager

- > Large display
- > Self diagnostic
- > User friendly
- > 7 day time clock
- > People counter
- > Access control pad option
- > Control speed adjustments
- > Emergency notifications
- > Defined user codes

< Pelmet Section

Aesthetically pleasing narrow pelmet section.

Failsafe

On Power failure the doors will open or operate normally by using the built in optional UPS as per AS 5007-2007.

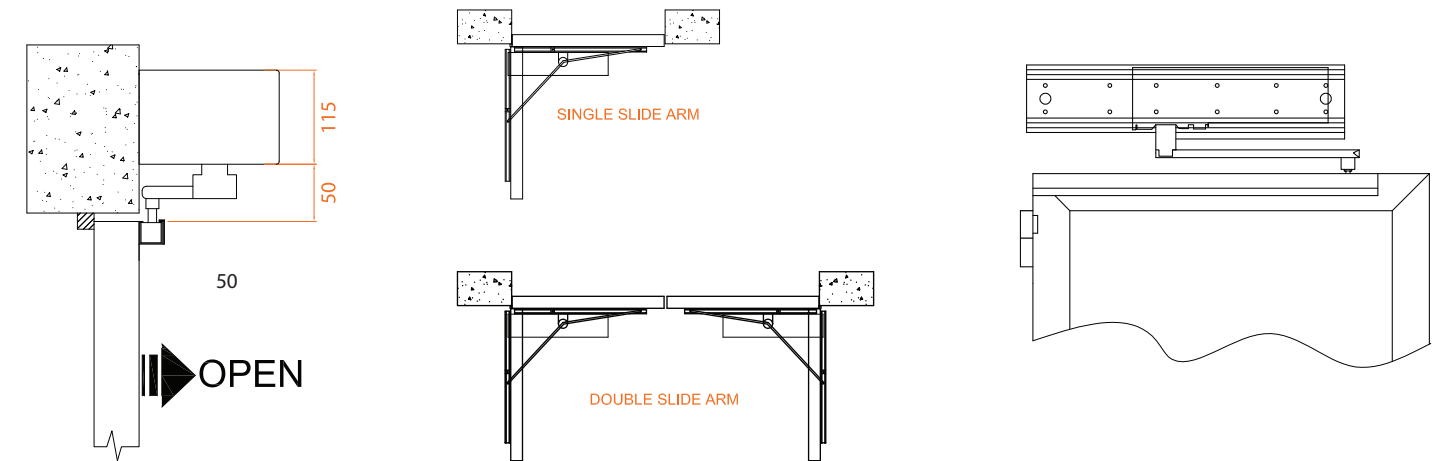
Warranties

- > 5 years motor and gearbox
- > 2 years parts
- > 12 months labour

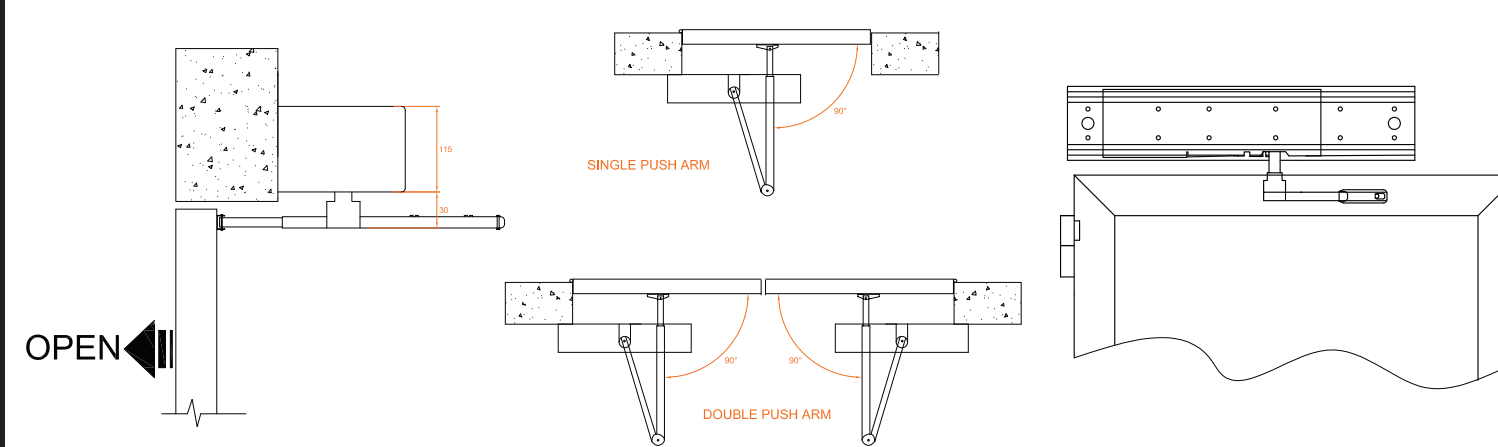
MODEL	LOGIC SWING-LP	
Motor	90w	Speed 25-1300mm/sec
Controller Drive	Microprocessor	Door Open Dwell Time 0-60 sec
Drive	Geared	Airlock Function Y
Single	Y	Keypad Control Y
Double	Y	Keyed Mode Switch Control opt
Aluminium Doors	Y	Sensors Microwave
Panic Breakout	Y	Safety Stop Y
Glass Doors	Y	ITEC Safety Sensors Y
Timber Doors	Y	Fire Alarm Interface Y
Profile Height/Depth	115mm/180mm	Building Management Interface Y
Pelmet	Y	Chime Y
Electric Lock	Opt	Access Interface Control Y
Keypad Programmable Mode	Y	Exit Only Function Y
Master Keyed Key Switching	opt	Power Supply 240v/10amp
Panic Lock	opt	Failsafe/Failsecure Y
Push arm/Slide arm	Y	One million cycle tested to AS 5007-2007 Y
Weight per Leaf	200kg	
Maximum Width	<1300mm*	

* Based on door height of approx 2400mm. (Please confirm with your representative).

LSW - LP SLIDE ARM



LSW - LP PUSH ARM



> Safety

> Compliance

> Interface ability

> Australian owned, designed & manufactured

