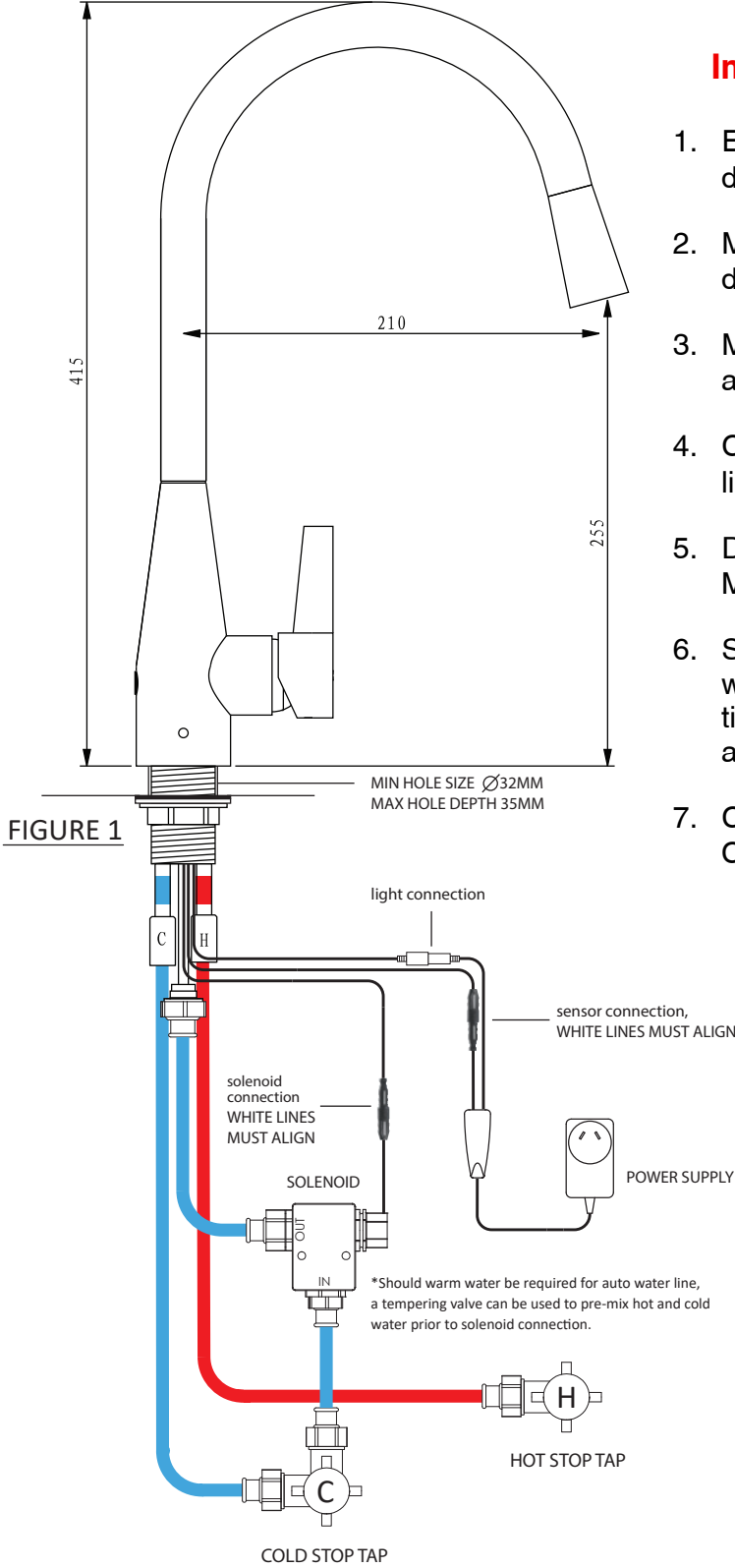




Memo Sia Sensor Gooseneck Sink Mixer Tap Dual Function (4 Star)



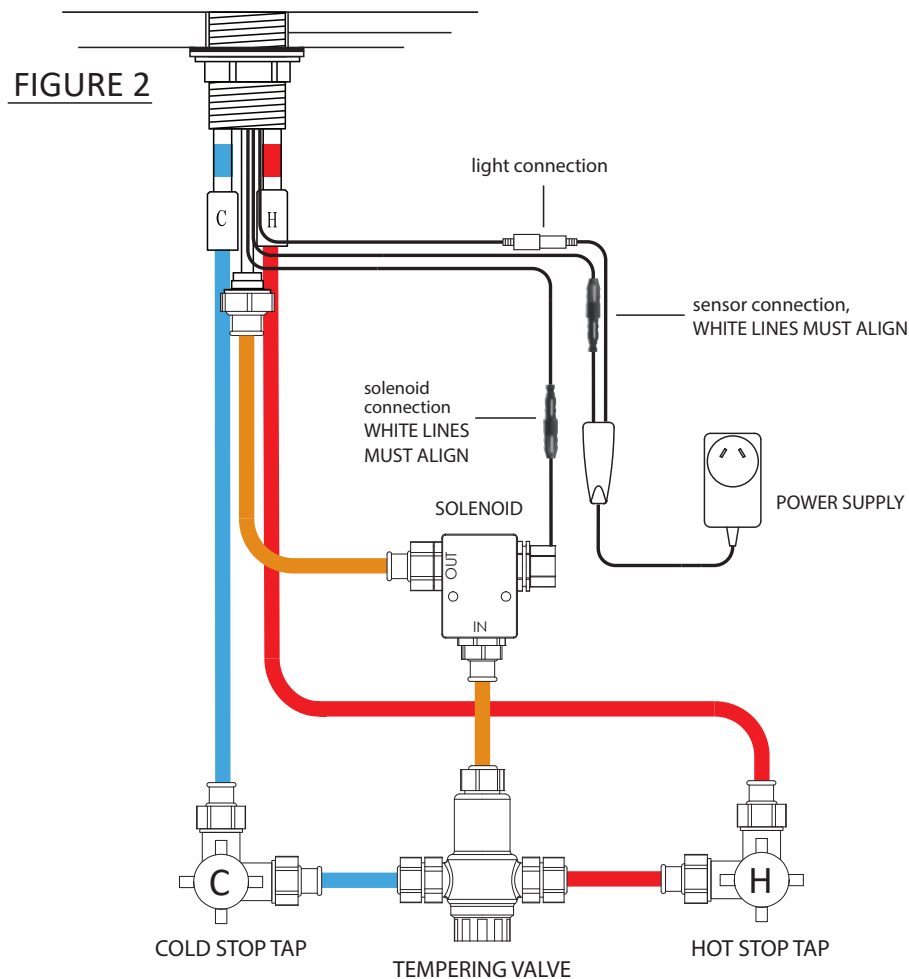
Important Notice - Prior to installation:

1. Ensure installation area is free from dust and debris.
2. Minimum hole size is 32mm diameter, a maximum depth of 35mm.
3. Make sure pipework is properly flushed and free of any obstructions which could affect operation.
4. Connect flex hoses to HOT, COLD, and auto water lines - note HOT and COLD orientation.
5. Direct hoses and cables through mounting hole. Make sure LED light points to front of sink.
6. Securely mount tap to surface using rubber washer (ridges up), metal washer, and nut - tighten firmly. With PTFE tape, connect solenoid to auto water line.
7. Connect all incoming water lines to HOT and COLD stop taps, and to solenoid. Refer to FIG. 1

Plumbers, please ensure a copy of the Installation Instructions are left with the end user for future reference



Memo Sia Sensor Gooseneck Sink Mixer Tap Dual Function (4 Star)



8. Should warm water be required for auto water line, a tempering valve can be used to pre-mix hot and cold water prior to solenoid connection. Refer to FIG. 2
9. Make electrical connections ensuring correct alignment of white lines - see image.
10. Turn on HOT and COLD stop taps.
11. Plug in power supply to standard power outlet, turn on.
12. Open mixer handle and run some water through, close.
13. Wave hand in front of sensor momentarily, water will run for 10 seconds and turn off. Again, wave hand in front of sensor for water flow, then wave again to turn off water. Tap is operational.