

EDGE

Performance by Principle

We offer thermally broken window systems, complemented by double glazed and single glazed window systems.

U-MAX™, MAX™, GEN™ aluminium window and door suites deliver ease of manufacture, a true metric footprint, advanced drainage, and much more. Fabricate more beautiful and energy efficient projects with EDGE.

- Australian standards compliant
- Strong
- Energy rated
- Provides cost savings
- Watershed drainage system
- Use systems on different facades to meet energy requirements
- High performance co-extruded anti-drop out gaskets
- Local technical support
- Australian produced, with reliable supply chain

- True metric footprint
- Australian designed for Australian conditions
- Double glazed thermally broken ranges
- Systems are visually identical
- Mix & match systems on one façade
- No visible drain slots in transoms
- Concealed drainage system
- Captivated beads cannot fall out
- Captivated pocket design for ease of glazing
- Glaze internally or externally



EDGE

Architectural Glazing Systems

160 Ordish Road, Dandenong South, VIC 3175
Phone: (+61) 3 9798 4433
Fax: (+61) 3 9798 4499
teamedge@alumind.com.au
edgearchitectural.com.au

the future of
architectural framing
systems

EDGE

Architectural Glazing Systems

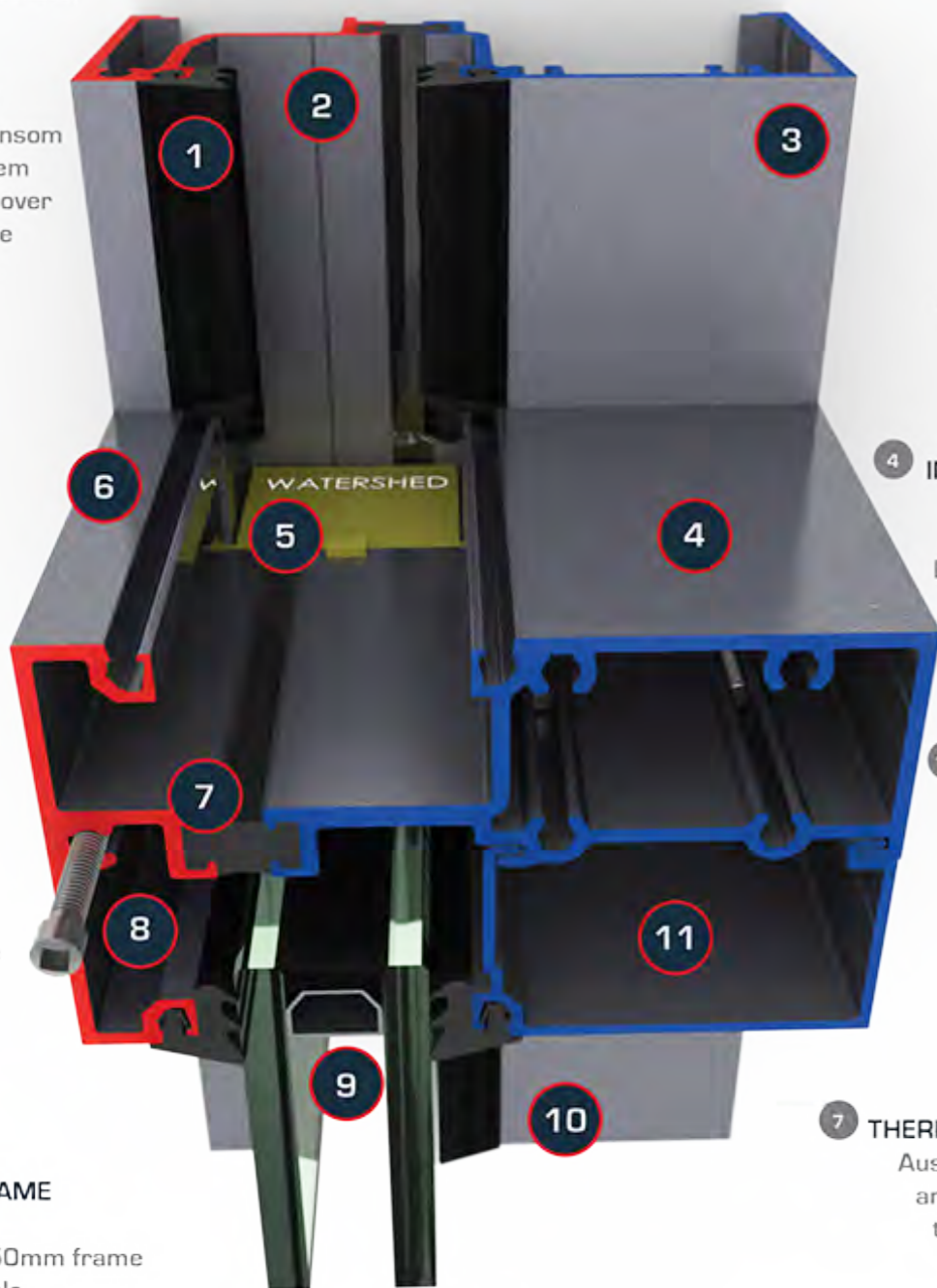


EDGEDNA

Architectural Glazing Systems

U-MAX THERMALLY BROKEN DOUBLE GLAZE MAX NON-BROKEN DOUBLE GLAZE GEN NON-BROKEN SINGLE GLAZE

- GASKET**
High performance "top loaded", co-extruded captive anti-stretch gaskets.
- TRUE METRIC FOOTPRINT**
Not just imperial measurements converted to metric, the EDGE systems were designed in metric from the beginning.
- MIX AND MATCH FRAMING**
Different framing systems of the same depth can be used together to alter the glazing plane.
- INTERNAL OR EXTERNALLY GLAZED**
Most suites can be internally or externally glazed.
- WATERSHED**
Concealed transom drainage system directs water over and around the edge of glass.
- NO UNSIGHTLY DRAIN HOLES**
Watershed removes the need for visible unsightly drain holes.
- EXTERNAL SCREW**
Frame fixing external to glazing rebate provides structural support of frame and glass.
- THERMALLY BROKEN**
Australian designed and manufactured thermally broken frames.
- MULTIPLE GLAZING OPTIONS**
Accepts 24-28mm dry glazed IGU's. Single glazed spandrel option available.
- CAPTIVATED GLAZING BEADS**
One way pressure secured glazing bead will not fall out.
- MULTIPLE FRAME OPTIONS**
100mm or 150mm frame depths available.



Mix and match thermally broken U-MAX™, double glazed MAX™ and single glazed GEN™ all within the one project with EDGE Architectural's compatible and interchangeable design.



EDGE designs and distributes innovative aluminium systems for the architectural, commercial, industrial and high-end housing markets.

Our customers are builders and fabricators covering numerous sectors including government, private, health, defence, education, and medium to high density apartments.

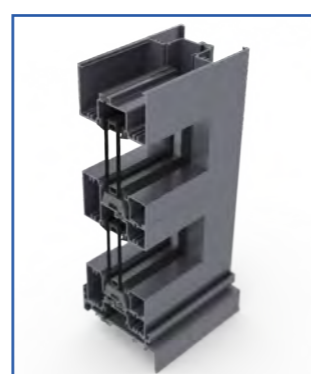
EDGE focuses on the strong demand for energy efficient commercial buildings with an internally designed, proprietary, market leading product suite featuring thermally broken, double glazing architectural systems.



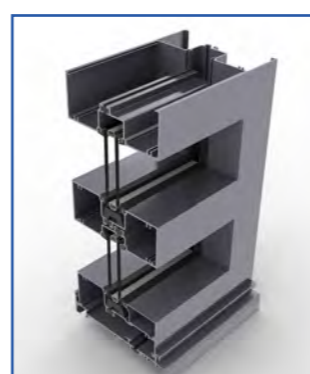
The three product families in the EDGE range:

- U-MAX™ thermally broken double-glazed window and door suites
- MAX™ double glazed window and door suite
- GEN™ single glazed window and door suites

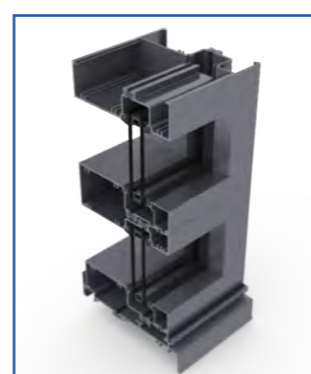
EDGE offers creative, streamlined and efficient solutions without compromise.



100 Centre Double Glazed



150 Centre Double Glazed



150 Offset Double Glazed



100 Front Double Glazed



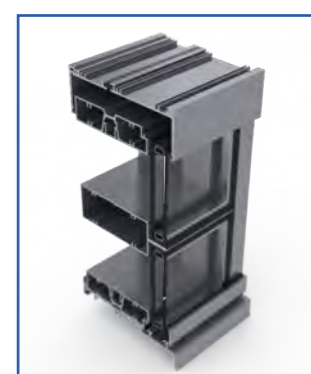
150 Front Double Glazed



150 Front Capped Double Glazed



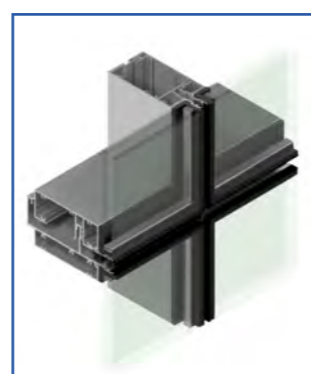
200 Front Capped Double Glazed



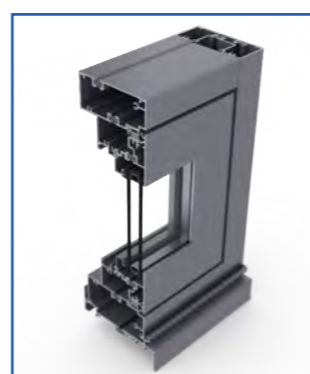
Structural Glazed 150 Framing



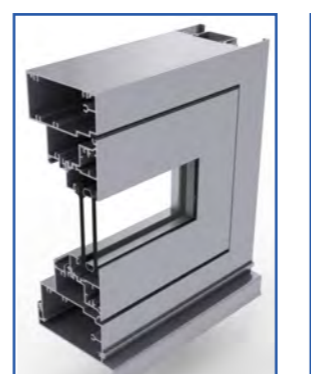
SG 182 Structural Glazed Framing



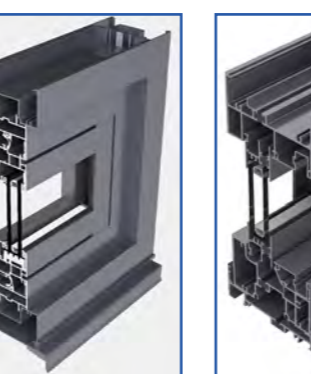
CW142 Beaded Curtain Wall



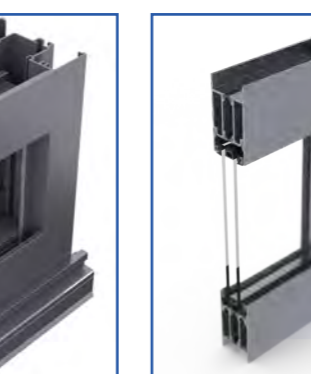
Awning & Casement Sashes



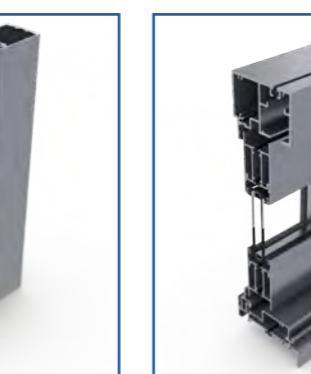
Truth Awning & Casement Sashes



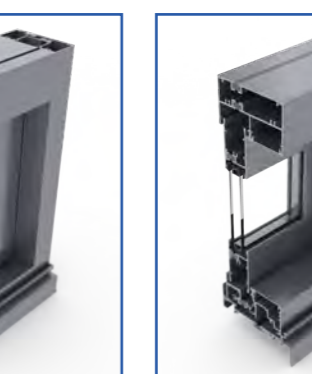
Tilt and Turn



Sliding Windows



Commercial Door Systems



Bifold Doors



Sliding Doors

These systems are available in thermally broken U-MAX and non thermally broken MAX.

Use together for a seamless transition around a building that meets thermal requirements.

To learn more and download the technical manuals, visit edgearchitectural.com.au.