

# TA1

series



## Product Segments

- Comfort Motion
- Care Motion
- Auto Motion
- Ergo Motion



TA1 is one of our classic products, which covers our four product segments, including care motion, comfort motion, auto motion, and ergo motion.

Besides, TA1 is also complied with certain significant medical standards, such as IEC60601-1, RoHS, and UL/EN60601-1 certificates.

### General Features

Voltage of motor	12V DC, 24V DC, or 36V DC
Maximum load	10,000N in push
Maximum load	4,000N in pull
Maximum speed	38.0mm/s
Minimum installation dimension	stroke+163mm
Color	black or grey
Protection class	IP54, IP66, IP66W, or without housing
Certificate	IEC60601-1, ES60601-1, and RoHS
Option	freewheeling push only, safety nut, quick release, Hall/Reed sensor(s)

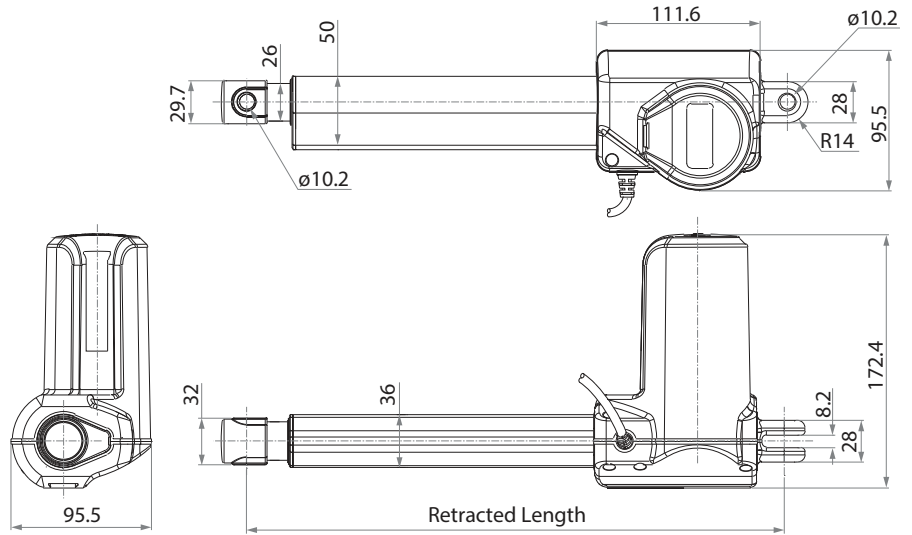


P: 07 3297 9797 | E: [info@techome.com.au](mailto:info@techome.com.au) | W: [www.techome.com.au](http://www.techome.com.au)

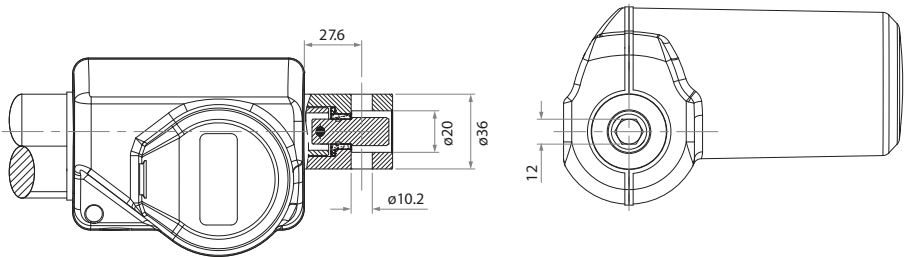
We can control and automate ANYTHING

Drawing

Dimension Standard



Dimension with Manual Operation



Load and Speed

CODE	Rated Load		Self Locking N (PUSH)	Typical Current at Rated Load (A)	Typical Speed	
	PUSH N	PULL N			No Load (32V DC) mm/s	Rated Load (24V DC) mm/s
<b>Motor Speed (2600RPM)</b>						
B	10000	4000	10000	5.3	5.5	2.9
D	6000	4000	4000	3.5	5.5	2.9
F	2500	2500	1000	3.2	15.9	8.3
G	2000	2000	1000	3.2	19.8	11.1
H	1000	1000	500	2.1	29.3	19.1
J	3500	3500	3500	3.6	11.1	5.5
K	8000	4000	6000	4.0	5.0	2.5

Motor Speed (3400RPM)

L	6000	4000	4000	4.2	7.0	3.9
N	2500	2500	1000	4.1	20.2	11.1
O	2000	2000	1000	4.0	25.3	14.9
P	1000	1000	500	3.0	38.0	23.2
Q	3500	3500	3500	4.6	14.3	7.6
R	8000	4000	6000	5.0	6.7	3.3
T	5000	4000	2500	4.2	10.1	5.1

Motor Speed (3800RPM)

X	6000	4000	4000	4.4	8.3	5.2
Y	8000	4000	6000	5.3	7.7	4.4

Note

- 1 The left diagram shows the speed and current figures under pushing condition.
- 2 Speed would be the same if with 12V motor, but with double current consumption comparing 24V motor.
- 3 If choosing #B, it must use iron inner tube and front attachment #5, and add additional 5mm retracted length.

Terms of Use

The user is responsible for determining the suitability of TecHome products for a specific application.

Due to continuous development in order to improve our products, TecHome products are subject to frequent modifications and changes without prior notice.

TecHome reserves the right to discontinue the sale of any products displayed on its website or listed in its catalogue or other written materials drawn up by TecHome.