

Billi®



home



Superior Instant Filtered Water



BOILING



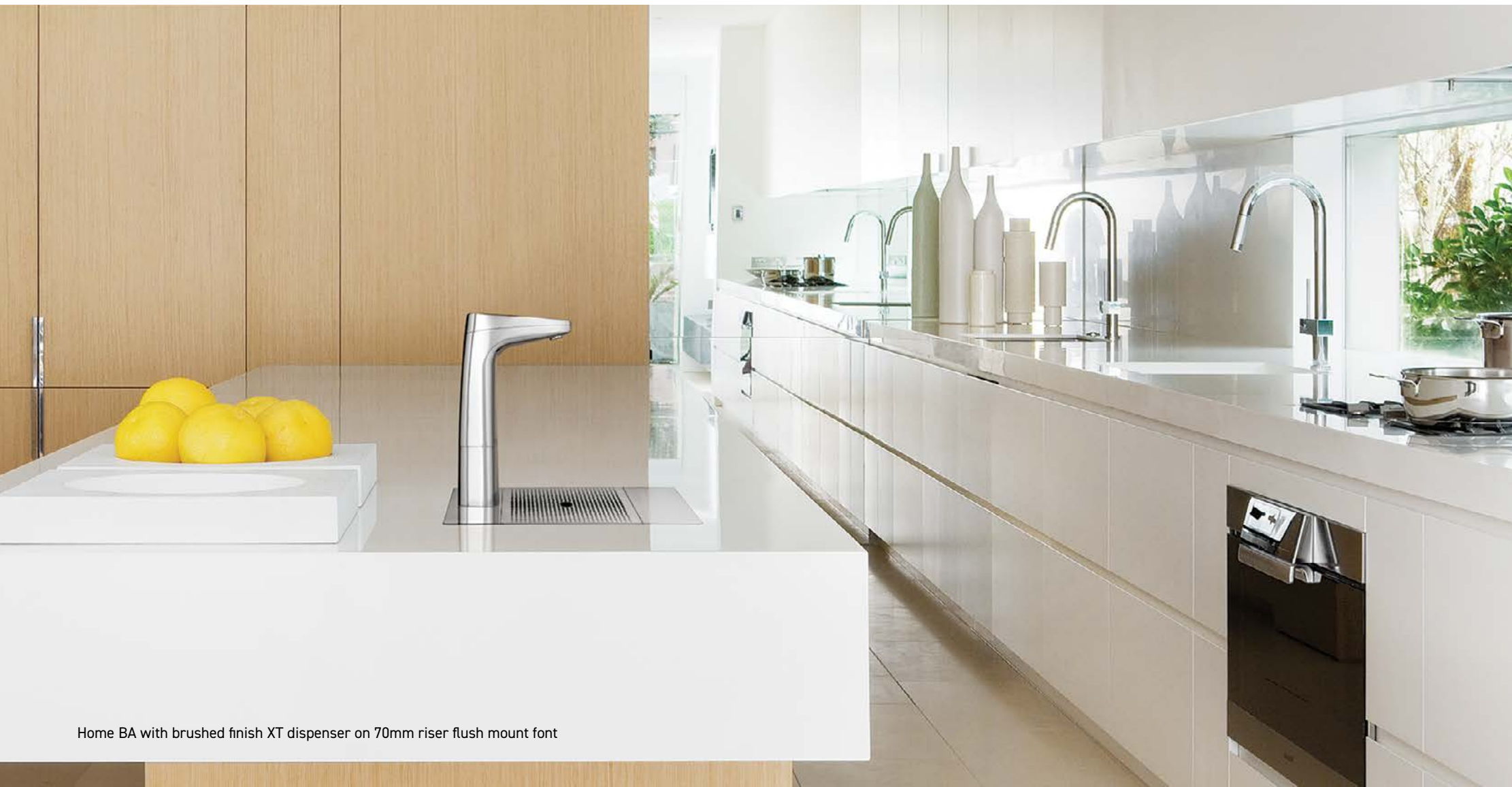
CHILLED



SPARKLING



STILL



Home BA with brushed finish XT dispenser on 70mm riser flush mount font

Billi®

Originating in Australia, Billi has been at the forefront of the instant filtered boiling and chilled water systems industry for over 30 years. Billi products are celebrated for their combination of functionality, performance and contemporary aesthetics. Proudly Australian-made and designed, Billi products have brought a unique concept of underbench instant filtered boiling, chilled and sparkling drinking water to many countries around the globe.

Manufactured in Melbourne, Australia to strict quality standards, Billi water systems come with an assurance of quality, innovation and sustainability. Incorporating cutting edge eco-technology features and modern designs, Billi delivers solutions that keep pace with the ever-changing needs of its users.



Designed and manufactured in Australia to the highest quality standards

CONTENTS

About Billi	p.03
Product Features	p.04
Billi's Sustainability Commitments	p.06
Our Process	p.07
Premium Filtration	p.08
Service Plans	p.09
How to choose your Billi	p.10
Finishes	p.12
Accessories	p.14
New Products	p.18
Product Range	p.20
Order Codes	p.24
Testimonials	p.27





AUSTRALIAN
MADE

All Billi Home systems are designed and manufactured in Australia.



SPACE SAVING
DESIGN

With a focus on space saving, Billi systems continue to offer the smallest footprints on the market, allowing you to make the most of the valuable underbench space.



ENERGY
EFFICIENT

Billi's unique Heat Exchange Technology enables our systems to achieve substantial energy savings. Our units also feature a standby mode which conserves energy by powering down after 2 hours of non-use.



SAFE TO
OPERATE

Billi's X series dispensers are supplied standard with a safety switch to lock off access to boiling water where needed. The red lock icon demonstrates when the safety switch is activated. Simply touch the sensor switch to release the lock and activate the boiling water. The dispenser will revert to safety mode after a period of non use.



ECO-
INTELLIGENCE
TECHNOLOGY

The Billi Billi Home BC and BA systems incorporate Eco-Intelligence technology which is a self learning timer allowing the unit to only operate when required. The self learning timer monitors daily usage patterns and even recognises evening and weekend changes in routine to effectively minimise energy consumption.



ICE BANK
TECHNOLOGY

Our Ice bank technology has a chilled reservoir where both sparkling and chilled water supply passes through. In doing so, the dispensed water temperature is consistently chilled, also providing a higher level of carbonation.



FRESHER
SPARKLING
TASTE

Billi's Sparkling water just tastes better! Whether it be the superior Water Cooled technology our new Billi Home BCS or the Ice Bank technology of our B5000 Sparkling solution, you can rest assured that you're enjoying the freshest instantaneous Sparkling water on the market.



ADJUSTABLE
CHILLED
TEMPERATURE

A simple adjustable control knob allows the chilled water temperature to be raised to 15°C or lowered to 6°C for perfectly chilled, refreshing drinks. Your desired temperature is reached quickly and maintained efficiently during operation.



ADJUSTABLE
SPARKLING
LEVEL

Adjust the level of sparkling to suit your taste, with adjustable controls up to 5 bar of CO₂ pressure.



UNLIMITED
FILTERED
WATER

The Billi Home BCS, C, BA, BC and FT range all offer a continuous supply of filtered water even when tank supplies are exhausted.*



RANGE OF
FINISHES

The Billi Home range offers a variety of dispenser options including our Multifunction, X series and slimline dispensers in a selection of modern finishes. Site specific tapware is available, including an XL Levered dispenser with red & blue coloured levers and braille pads for vision impaired applications.



COMPLEMENTARY
RANGE OF
MIXER TAPS

Match the finish of your Billi dispenser with our Standalone Mixer Taps.



ACCESSORIES

Billi has a range of stylish and functional accessories to match your needs including fonts, risers and tubing extension kits.



WORRY-FREE
INSTALLATION

Billi's highly experienced professional service technicians can manage the installation of your Billi Unit. Service plans and filter subscriptions are also available to ensure you never have to worry about the maintenance of your unit.



REPLACEMENT
FILTERS

The health & hygiene of your drinking water is of utmost importance. Billi's suite of Hygiene Protection Protocols include a digital lockout and visual reminder in the dispenser to ensure your filter is changed at appropriate frequencies and can only ever be used once.



REFILLABLE
CO₂

Billi now offers customers an environmentally friendly option to rent CO₂ & Regulator packages, with a periodic refill service provided to site.

*Safety time out features and the required filter changes for hygiene still apply.

BILLI'S SUSTAINABILITY COMMITMENTS

Unlocking a sustainable future begins with a shared commitment to the United Nations Sustainable Development Goals (SDGs) – a profound set of 17 interconnected objectives designed as a global benchmark. These goals intricately address the multifaceted challenges our world faces, setting the stage for a harmonious coexistence between people and the planet.

At Billi, we wholeheartedly embrace this global initiative by aligning our mission and practices with the UN SDGs. Our pledge is more than a commitment; it's a proactive step towards contributing to the worldwide endeavour for a more equitable, sustainable, and inclusive world.

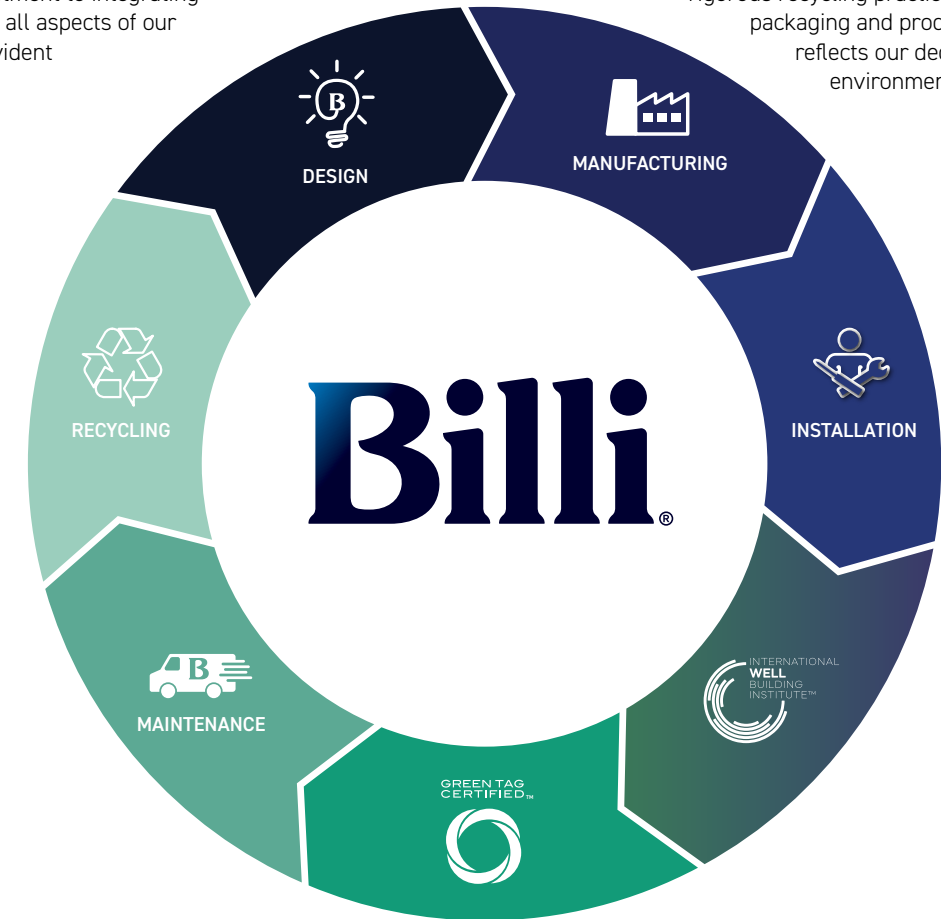


WORKING TOGETHER TO REDUCE OUR CARBON FOOT PRINT

OUR PROCESS

At Billi, sustainability and innovation stand as cornerstone principles within our operational framework. Our steadfast commitment to integrating sustainability across all aspects of our business model is evident from the outset.

From the meticulous sourcing of raw materials to the thoughtful design of sustainable solutions, concluding with our rigorous recycling practices for both packaging and products, every step reflects our dedication to environmental stewardship.



SUSTAINABILITY IMPACT

We recognise that a sustainable future requires an ongoing evolution of our approach, a commitment to constant improvement, and a steadfast dedication to understanding and mitigating our impact. Our sustainability journey transcends the traditional boundaries, reaching beyond the realms of manufacturing and product usage.

REDUCING CARBON FOOTPRINT

Billi proudly stands as a testament to sustainability, having undergone rigorous assessment and certification through Global GreenTag's LCARate™ program. Our commitment to environmental responsibility is reflected in our range of water-cooled products. Certified by Global GreenTag, our water-cooled products boast a lower carbon footprint that is known & measurable.

WASTE REDUCTION

We recognise the urgent need to minimise all forms of waste, and to fulfill this commitment, we have forged strategic partnerships within the industry. These collaborations are designed to ensure the recyclability and re-use of materials wherever possible. In our pursuit of waste reduction, we have introduced pioneering packaging solutions and incorporated recycled materials, such as tank insulation.

WATER-COOLED or AIR-COOLED TECHNOLOGY

Billi are the only manufacturer to offer both water-cooled and air-cooled options. Our water-cooled systems utilise heat exchange & energy reclaim technologies and are more energy efficient than our air-cooled systems. Billi's heat exchange technology ensures water usage is minimal. Billi's air-cooled options generate far less heat than traditional air-cooled systems.

ENERGY SAVING

Billi's range of water-cooled products stands out for its innovative approach to sustainability. Our products possess the unique capability of converting waste heat into a valuable source of heating energy. By harnessing waste heat and turning it into a usable energy source, our water-cooled products exemplify a commitment to resourcefulness and environmental responsibility.

EMPOWERMENT & GOOD GOVERNANCE

Our employees are essential contributors to the realisation of our sustainability goals. Our commitment goes beyond products and processes – it extends to fostering a workplace culture that values and empowers our team members. Billi provides a supportive environment where our employees are not only encouraged but also empowered to embrace and promote sustainable practices in both their professional and personal lives.

CERTIFICATION

Unwavering commitment to surpassing the standards of being just fit for purpose. Billi has successfully achieved certifications that not only validate our products' performance but also highlight our contributions to broader sustainability goals. Our dedication to environmental responsibility is underscored by our active participation in global initiatives like Global GreenTag, Works with WELL and our ISO 9001 QMS Certification.

WELLBEING

Enhancing the wellbeing of end-users is ingrained in our DNA. We are Cornerstone Members of the International Well Building Institute, and are product certified by the Works with WELL program, a testament to our dedication to setting new standards in creating environments that prioritise health and wellbeing.

Replacement Filters

Periodic replacement of filters is necessary to maintain water quality and ensure optimal health benefits. Genuine replacement Billi filters are available through our website and locally from your approved supplier. Filters MUST be replaced every 12 months as a minimum, in some areas or with high usage it is recommended this is increased to a frequency of 6 months.

All Billi genuine filters come with a digital lockout feature to retain single use integrity and maximum hygiene of your drinking water system. They also have a visual change reminder alarm built into the dispenser display where amber lights will flash repeatedly to indicate it's time to change your filter.

To change your own filter please refer to the link provided below, but for true peace of mind and regular maintenance of your system by an expert why not consider one of our Service Plan offerings overleaf such as a 4 year Service Certificate or a Silver Filter plan?

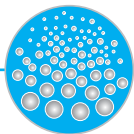
Visit: www.billi.com.au/billi-how-to-videos

Easy filter change. Simply swing forward and slide out to replace filter.



0.2 Micron Fibrion XC® Replacement Filter 994052

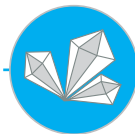
Normal Filter Rating | 0.2 Micron
 Filtration Capability | Sediment, Chlorine, Taste & Odour, Paracitic Cysts, Lead
 Flow Rate | 3.8lpm
 Water Pressure | 80 kPa min - 860 kPa max
 Capacity | 30,000 litres (Chlorine reduction)
 Water Temperature | 38°C max. Must not freeze



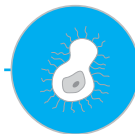
SEDIMENT
Filters out particles in the water



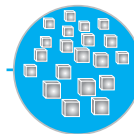
CHEMICALS
Reduces Chlorine and organic chemicals



MINERALS
Enables minerals to flow through the appliance without allowing scale build up



CYSTS
Removes parasitic cysts giardia and cryptosporidium (994052 & 994060 only)

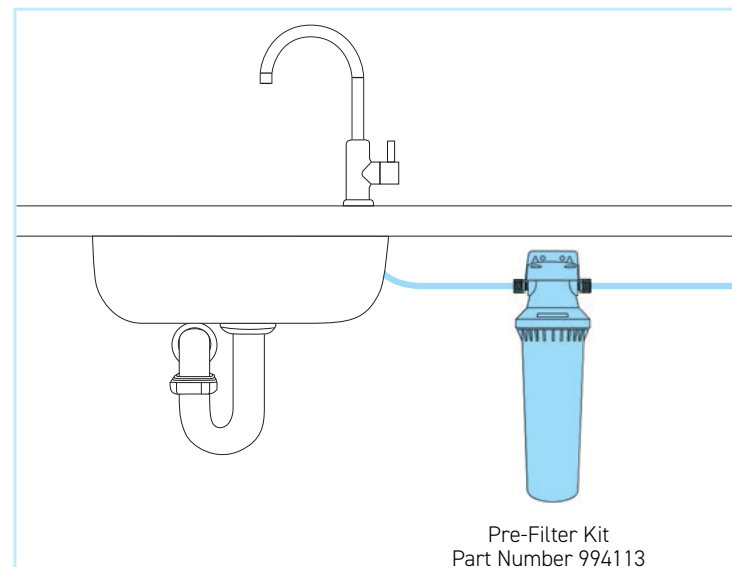


LEAD
Reduces Lead and heavy metals (994052 & 994060 only*)

*Lead Reduction on 994052 + 994060 @ 98.93%

Billi Pre-Filter Range - External Accessory

- Provides additional filtration support while protecting your underbench system investment
- Suitable for standalone use as an inline filter solution to cold water supply
- Compatible with all Billi mixer taps & many other existing tapware manufacturers
- Cost effective solution for mains filtering
- Kit provides everything you need for easy setup. Replacement and upgrade filter options can be purchased separately.



Pre-Filter Kit Part Number 994113

Contact our friendly customer service team to discuss your pre-filtration needs.

Billi offers the very best in innovation, superior performance and reliability and we back this up with a world class customer service experience ethos. Instant filtered drinking water systems do require service & maintenance and filter replacements to ensure optimal water quality and health benefits.

Billi's service model includes an Australia-Wide network of trained technicians and service agents being backed up by a technical support team at the point of production. Their expertise and service is technically correct, prompt, reliable and available.

Our commitment is to make that easy for you starting with installation and then looking after you for the life of your product;



Billi Installation

A Billi accredited technician can offer Standard Installation in residential premises. Standard Installation Requirements regarding water and power supply must be met and does not include any cutting of manufactured stone, granite or natural stone bench tops or bench tops that are more than 48mm thick.



4 Year Service Certificate

All new units are eligible for access to our 'peace of mind plan', that provides 4 years of filter changes and comprehensive service for a fixed annual fee. The Service certificate can be purchased strictly for a period of 60 days from delivery.



Silver Service Plan

Filter replacement plan, performed by a Billi accredited technician. Fixed rate for the duration of your agreement.



Refillable CO2 Filter Plan

Billi now offers customers an environmentally friendly option to rent CO2 & Regulator packages, with a periodic refill service provided to site.

For more information on our service plans, please visit our website www.billi.com.au/billicare-service-plans



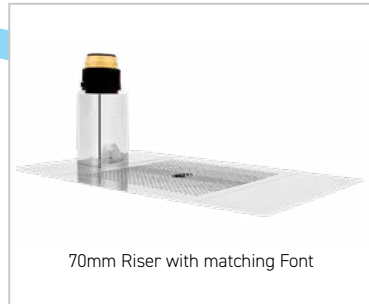
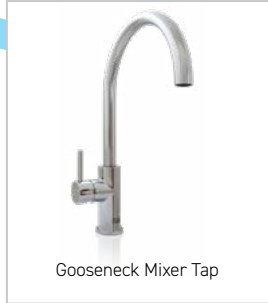
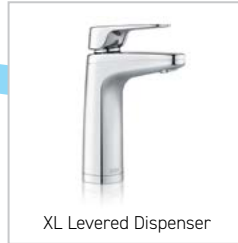
Optional accessory add ons

What are your water needs?

What design will best suit your kitchen?

Do you need a complementary mixer tap for your kitchen?

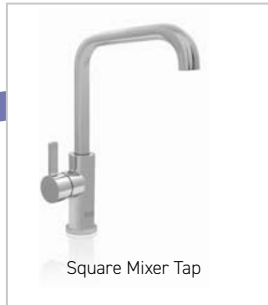
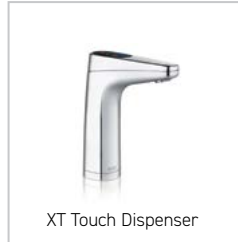
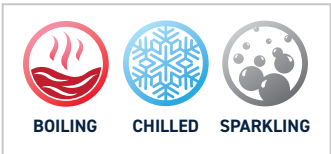
If installation over a sink is not an option, choose a matching font for bench top install.



Boiling or chilled filtered drinking water delivered instantaneously



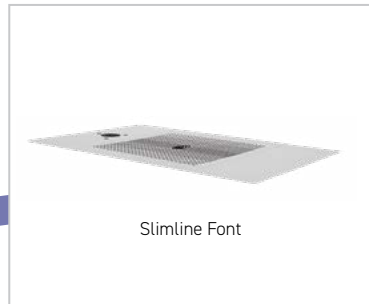
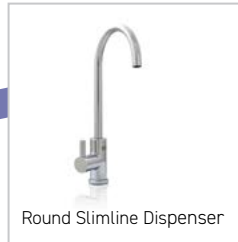
Instant Boiling water for hot beverage, cooking & sterilisation



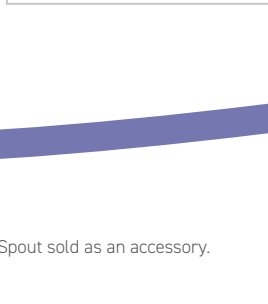
Chilled & Sparkling water for entertaining, food preparation and much more.

Log online for usage ideas:

www.billi.com.au/news/latest-news/billi-sparkling-at-home



Filtered water for drinking or food preparation



*Extension Spout sold as an accessory.



Billi's new online 3D Build mobile innovation allows you to simply specify, then shop from the comfort of your home.

Build your own filtered water system at: www.billi.com.au/3d-build

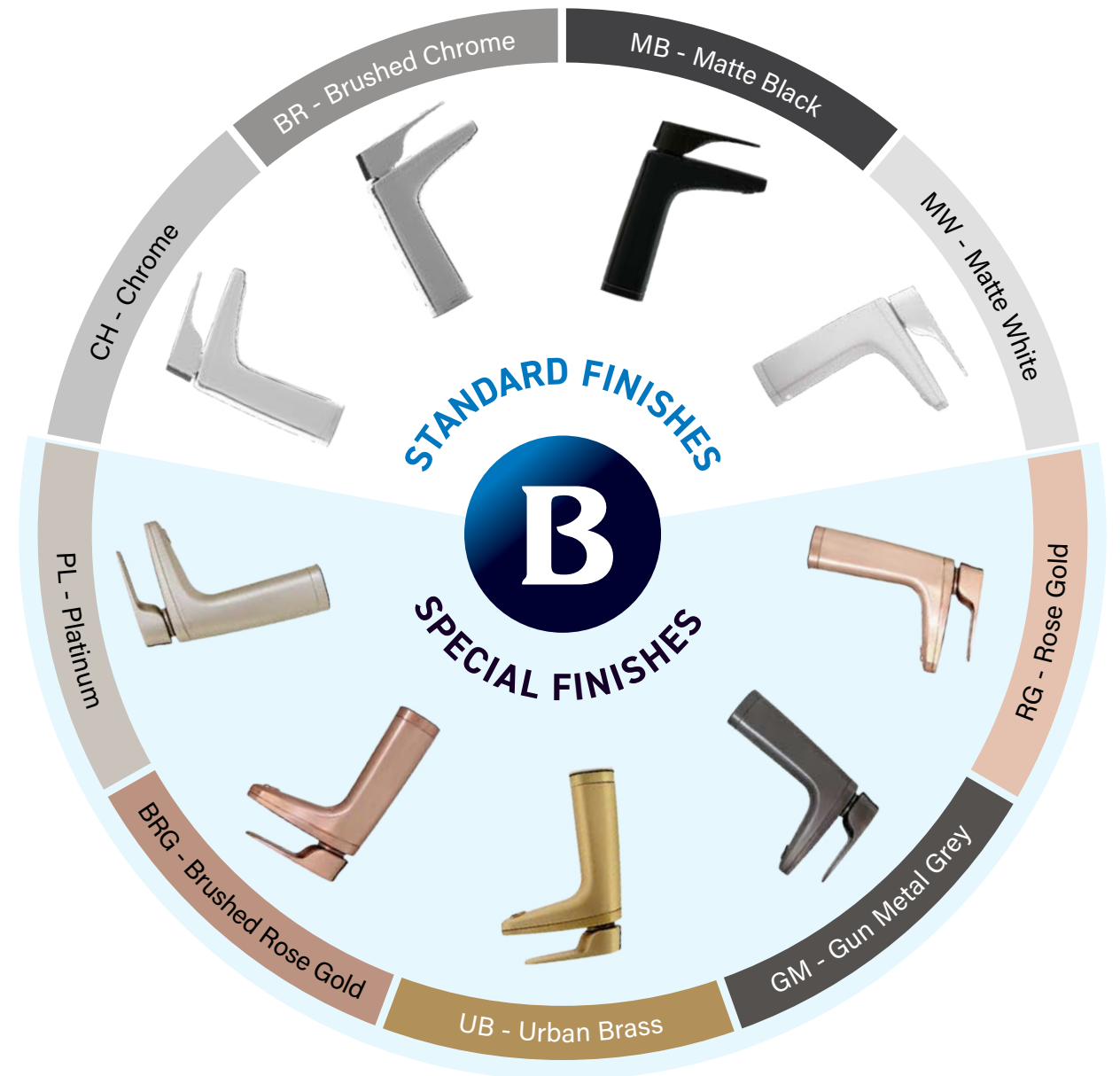




Matte black XL Levered Dispenser and Gooseneck Mixer Tap

Dispenser Finishes

Our dispensers come in a variety of modern and stylist finishes to match your kitchen environment. There are 4 standard finishes and 5 special finishes to choose from.



Refer to individual specification for available finish range by product variant

Slimline Dispenser Finishes

Our round and square slimline dispensers also comes in the same modern and stylish finishes as our dispensers. Our extended square slimline and dual lever dispensers comes in chrome, brushed chrome and matte black.

	FINISH OPTIONS			FINISH OPTIONS	
	Chrome	Brushed Chrome		Chrome	Brushed Chrome
	Matte Black	Matte White		Matte Black	
	SPECIAL ORDER FINISHES				
Rose Gold	Platinum	Brushed Rose Gold			
Urban Brass	Gun Metal Grey				

Fonts and Risers

Font and Risers are needed for benchtop installations when it's not an option for your Billi dispenser to sit over a sink. Perfect for home offices located outside of the main dwelling, butlers pantries or outdoor kitchens.



992800 - 70mm FONT & RISER

Suitable for XL levered & XT Touch dispensers



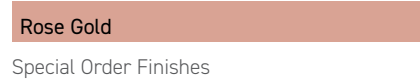
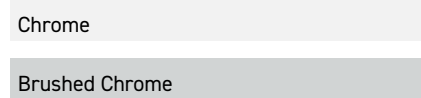
992803 - 120mm FONT & RISER

Suitable for XL levered & XT Touch dispensers



992810 - SLIMLINE FONT

Suitable for slimline dispensers



CO2 Cylinders

CO2 Cylinder replacements are available in single or 2 pack (1.1kg each) for all Billi underbench Sparkling units:



996911 - CO2 Cylinder - Single (1.1kg)

Suitable for all Billi Sparkling models



996912 - CO2 Cylinder - 2 pack (2 x 1.1kg)

Suitable for all Billi Sparkling models



REFILLABLE CO2 FILTER PLAN

Billi now offers customers an environmentally friendly option to rent CO2 & Regulator packages, with a periodic refill service provided to site.
* Selected areas only.

Replacement Filters

3 x Replacement filters are available for different environments:



994052 - 0.2 Micron Fibron XC® Replacement Filter

Highest level of filtration for optimal drinking water quality



994051 - 5 Micron Fibron X® Replacement Filter

Standard premium filtration for all environments



994054 - HSD Fibron XT® Replacement Filter

Ideal for High Sediment areas to ensure premium filtration without compromising on water flow



XL Levered Dispenser (XL)

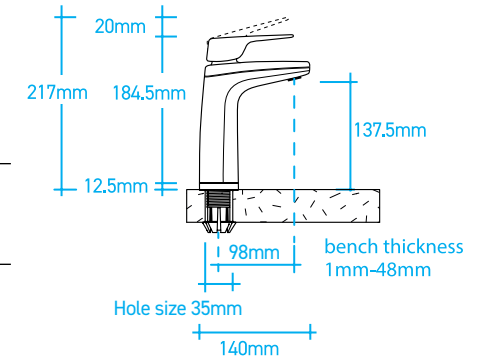
The levered dispenser is streamlined and elegant. It is simply operated with position-sensitive levers.

Suits 925100, 915000, 915100, 914000

FINISH OPTIONS



SPECIAL ORDER FINISHES



XT Touch Dispenser (XT)

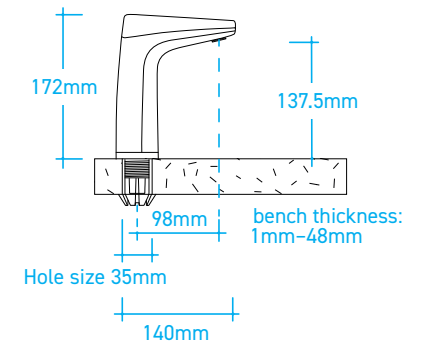
The touch dispenser is an innovative, contemporary design, which has a top operating panel offering a sophisticated and clean style.

Suits 914000

FINISH OPTIONS



SPECIAL ORDER FINISHES



Matte Black XL Levered Dispenser

SLIMLINE DISPENSERS



Round Slimline Dispenser **R**

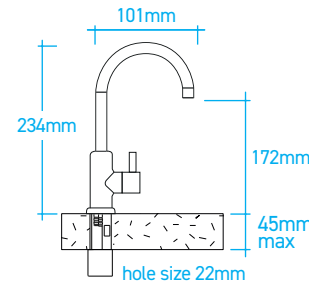
Round in design with single pin lever option. Suitable for ambient or chilled water.

Suits Home C, Home FT

FINISH OPTIONS



SPECIAL ORDER FINISHES



Square Slimline Dispenser **S**

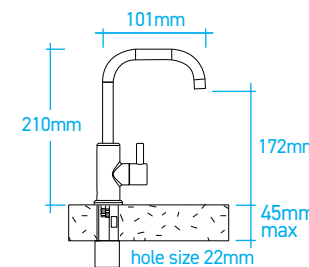
Square in design with single paddle lever option. Suitable for ambient or chilled water.

Suits Home C, Home FT

FINISH OPTIONS



SPECIAL ORDER FINISHES

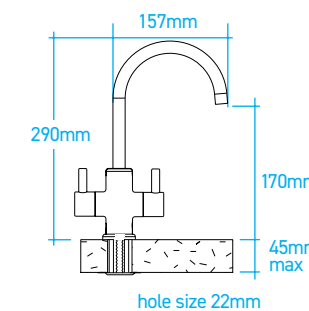
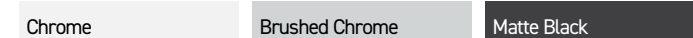


Dual Lever Dispenser **D**

Round in design with dual levers. Suitable for chilled and sparkling water.

Suits Home CS

FINISH OPTIONS



Extended Slimline Dispensers



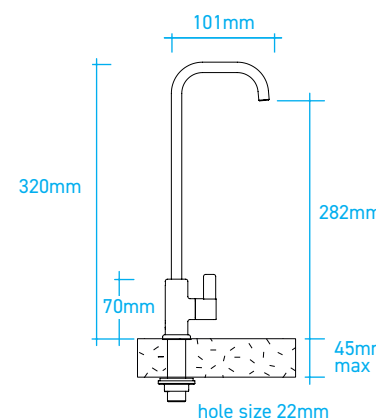
Extended Height Square Slimline **E**

Extended spout allows bottles and jugs to be filled when the tap is installed on a front.

Suits Home C, Home FT

Add finish code to the product code (991900SCH / 991900SBR / 991900SMB)

FINISH OPTIONS



MIXER TAPS TO COMPLEMENT



Gooseneck Mixer Tap

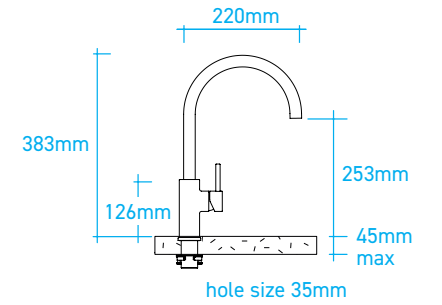
Round gooseneck design as a complementary standalone mixer tap. Requires hot and cold mains connection.

Add finish code to the product code (991600GCH)

FINISH OPTIONS



SPECIAL ORDER FINISHES



Square Mixer Tap

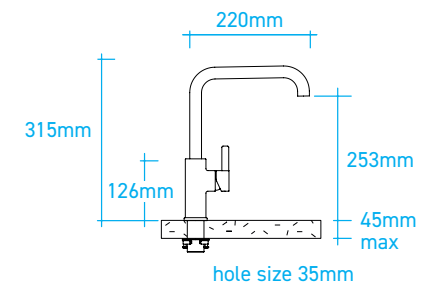
Square gooseneck design as a complementary standalone mixer tap. Requires hot and cold mains connection.

Add finish code to the product code (991700SCH)

FINISH OPTIONS



SPECIAL ORDER FINISHES



Paddle Lever Mixer Tap

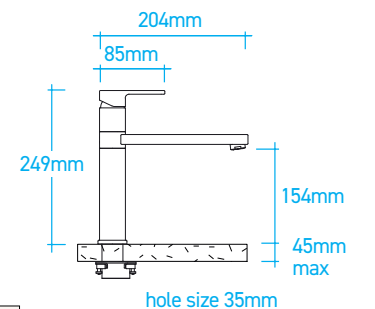
Paddle lever design as a complementary standalone mixer tap. Requires hot and cold mains connection.

Add finish code to the product code (991800PCH)

FINISH OPTIONS



SPECIAL ORDER FINISHES



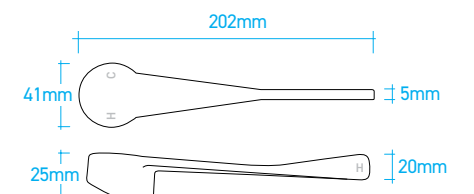
Mixer Tap Accessory



Disabled Lever - For use with Paddle Lever Mixer Tap

Product Code : 992111CH / 992111MB

FINISH OPTIONS





Billi Home BCS

The Billi Home BCS system is the ultimate multi-use home water appliance

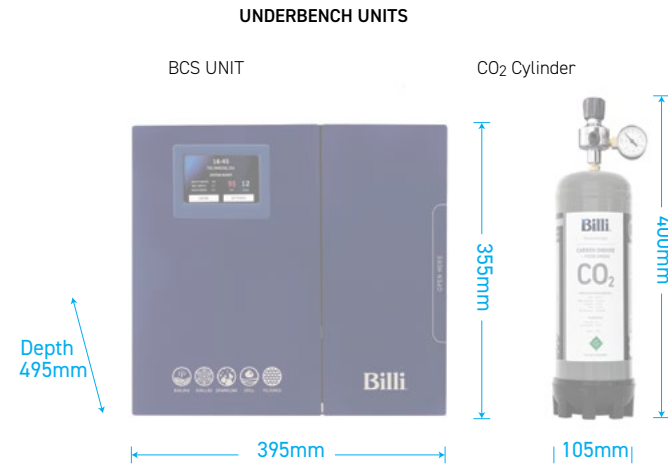
DISPENSER OPTION



FEATURES



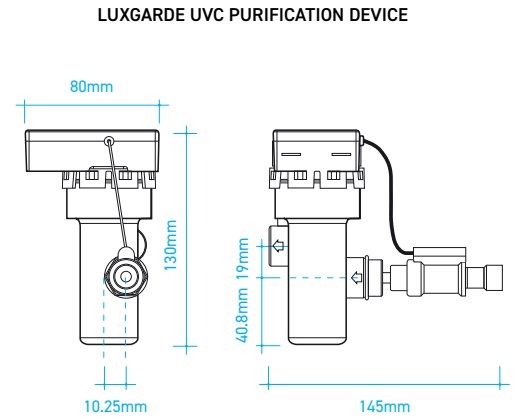
Product Code	Model	Power	Suggested Usage
925100	Home BCS	10 amp	<ul style="list-style-type: none"> • Drinking water filtration • Instant Hot or Chilled beverages • Cocktails & Mocktails • Tempura & cake batters • Cooking & Food preparation • Sterilisation of baby bottles • Herbal teas & specialty beverages



Billi Luxgarde™ UVC Purification Device

Luxgarde™ is Billi's UVC Purification Device, providing the ultimate in protection for your family against possible waterborne pathogens. Chemical free, modular and compatible with the full range of Billi Home products, Luxgarde™ ensures your drinking water is coliform free and safe for your family to drink.

“ Luxgarde™ UVC Purification Device purifies up to 99.999%* of your drinking water, 100% of the time ”





Matte black XL Levered Dispenser



Billi Home BC

Instant boiling and chilled filtered water system

DISPENSER OPTIONS



FEATURES



Product Code	Model	Power	Suggested Usage
915000	Home BC	10 amp	<ul style="list-style-type: none"> • Drinking water filtration • Instant Hot or Chilled beverages • Cooking & Food preparation • Sterilisation of baby bottles

UNDERBENCH UNIT



Billi B5000 Sparkling

Instant boiling, chilled and sparkling filtered water system

DISPENSER OPTIONS



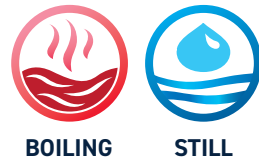
FEATURES



Product Code	Model	Power	Suggested Usage
915100	B5000 Sparkling	2 x 10 amp	<ul style="list-style-type: none"> • Drinking water filtration • Instant Hot or Chilled beverages • Cocktails & Mocktails • Cooking & Food preparation • Sterilisation of baby bottles

UNDERBENCH UNITS





Billi Home BA

Instant boiling and still filtered water system

DISPENSER OPTIONS



FEATURES



Product Code	Model	Power	Suggested Usage	
914000	Home BA	10 amp	<ul style="list-style-type: none"> Drinking water filtration Instant Hot beverages 	<ul style="list-style-type: none"> Cooking & Food preparation Sterilisation of baby bottles

UNDERBENCH UNIT



CHILLED

Billi Home C

Chilled filtered water system

DISPENSER OPTIONS



FEATURES



Product Code	Model	Power	Suggested Usage	
913000	Home C	10 amp	<ul style="list-style-type: none"> Drinking water filtration Instant Chilled beverages 	<ul style="list-style-type: none"> Cooking & Food preparation

UNDERBENCH UNIT



STILL

Billi Home FT

Instant still filtered water system

DISPENSER OPTIONS



FEATURES



Product Code	Model	Power	Suggested Usage	
911000	Home FT	NA	<ul style="list-style-type: none"> Drinking water filtration 	<ul style="list-style-type: none"> Cooking & Food preparation

UNDERBENCH UNIT



CHILLED SPARKLING

Billi Home CS

Professional grade chilled & sparkling system

DISPENSER OPTIONS

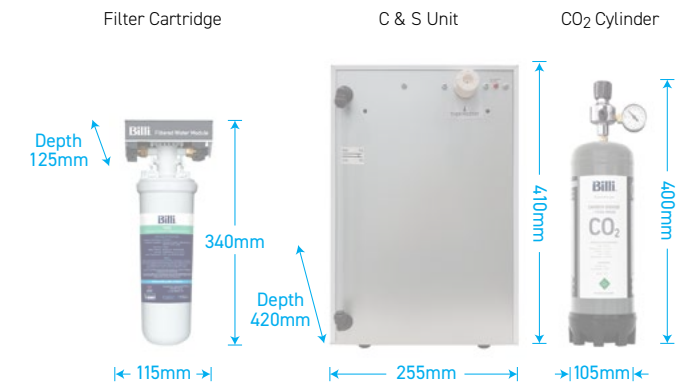


FEATURES



Product Code	Model	Power	Suggested Usage	
913100	Home CS	10 amp	<ul style="list-style-type: none"> Drinking water filtration Instant Chilled & Sparkling beverages 	<ul style="list-style-type: none"> Cooking & Food preparation Cocktails & Mocktails

UNDERBENCH UNITS



ORDER CODES



STILL



HOME FT

Order Code	Display Name	Order Code	Display Name
911000RCH	Home FT Round Chrome	911000SCH	Home FT Square Chrome
911000RBR	Home FT Round Brushed	911000SBR	Home FT Square Brushed
911000RMB	Home FT Round Matte Black	911000SMB	Home FT Square Matte Black
911000RMW	Home FT Round Matte White	911000SMW	Home FT Square Matte White
911000RRG	Home FT Round Rose Gold	911000SRG	Home FT Square Rose Gold
911000RUB	Home FT Round Urban Brass	911000SUB	Home FT Square Urban Brass
911000RBRG	Home FT Round Brushed Rose Gold	911000SBRG	Home FT Square Brushed Rose Gold
911000RPL	Home FT Round Platinum	911000SPL	Home FT Square Platinum
911000RGM	Home FT Round Gun Metal Grey	911000SGM	Home FT Square Gun Metal Grey



CHILLED



HOME C

Order Code	Display Name	Order Code	Display Name
913000RCH	Home C Round Chrome	913000SCH	Home C Square Chrome
913000RBR	Home C Round Brushed	913000SBR	Home C Square Brushed
913000RMB	Home C Round Matte Black	913000SMB	Home C Square Matte Black
913000RMW	Home C Round Matte White	913000SMW	Home C Square Matte White
913000RRG	Home C Round Rose Gold	913000SRG	Home C Square Rose Gold
913000RUB	Home C Round Urban Brass	913000SUB	Home C Square Urban Brass
913000RBRG	Home C Round Brushed Rose Gold	913000SBRG	Home C Square Brushed Rose Gold
913000RPL	Home C Round Platinum	913000SPL	Home C Square Platinum
913000RGM	Home C Round Gun Metal Grey	913000SGM	Home C Square Gun Metal Grey



CHILLED SPARKLING



HOME CS

Order Code	Display Name
913100DCH	Home CS Sparkling S2 Chilled Round Chrome
913100DMB	Home CS Sparkling S2 Chilled Round Matte Black
913100DBR	Home CS Sparkling S2 Chilled Round Brushed



BOILING STILL



HOME BA

Order Code	Display Name	Order Code	Display Name
914000LCH	Home BA XL Chrome	914000LPL	Home BA XL Platinum
914000LBR	Home BA XL Brushed	914000LUB	Home BA XL Urban Brass
914000LMB	Home BA XL Matte Black	914000TCH	Home BA XT Chrome
914000LMW	Home BA XL Matte White	914000TBR	Home BA XT Brushed
914000LRG	Home BA XL Rose Gold	914000TMB	Home BA XT Matte Black
914000LBRG	Home BA Brushed Rose Gold	914000TMW	Home BA XT Matte White
914000LGM	Home BA XL Gun Metal Grey	914000TRG	Home BA XT Rose Gold



BOILING CHILLED



HOME BC

Order Code	Display Name	Order Code	Display Name
915000LCH	Home BC XL Chrome	915000LBRG	Home BC XL Brushed Rose Gold
915000LBR	Home BC XL Brushed	915000LGM	Home BC XL Gun Metal Grey
915000LMB	Home BC XL Matte Black	915000LPL	Home BC XL Platinum
915000LMW	Home BC XL Matte White	915000LUB	Home BC XL Urban Brass
915000LRG	Home BC XL Rose Gold		



BOILING CHILLED SPARKLING



HOME BCS

Order Code	Display Name	Order Code	Display Name
925100LCH	Home BCS XL Chrome	925100LBRG	Home BCS XL Brushed Rose Gold
925100LBR	Home BCS XL Brushed	925100LGM	Home BCS XL Gun Metal Grey
925100LMB	Home BCS XL Matte Black	925100LPL	Home BCS XL Platinum
925100LMW	Home BCS XL Matte White	925100LUB	Home BCS XL Urban Brass
925100LRG	Home BCS XL Rose Gold		



BOILING CHILLED SPARKLING



B5000 SPARKLING

Order Code	Display Name	Order Code	Display Name
951000LCH	B5000 Sparkling XL Chrome	951000LBRG	B5000 Sparkling XL Brushed Rose Gold
951000LBR	B5000 Sparkling XL Brushed	951000LGM	B5000 Sparkling XL Gun Metal Grey
951000LMB	B5000 Sparkling XL Matte Black	951000LPL	B5000 Sparkling XL Platinum
951000LMW	B5000 Sparkling XL Matte White	951000LUB	B5000 Sparkling XL Urban Brass
951000LRG	B5000 Sparkling XL Rose Gold		



FONTS

Order Code	Display Name	Order Code	Display Name
992800CH	XI Font incl 70mm Riser Chrome	992803BRG	XI Font incl 120mm Riser Brushed Rose Gold
992800BR	XI Font incl 70mm Riser Brushed	992803GM	XI Font incl 120mm Riser Gun Metal Grey
992800MB	XI Font incl 70mm Riser Matte Black	992803PL	XI Font incl 120mm Riser Platinum
992800MW	XI Font incl 70mm Riser Matte White	992803UB	XI Font incl 120mm Riser Urban Brass
992800RG	XI Font incl 70mm Riser Rose Gold	992804CH	XI Font incl 170mm Riser - Chrome
992800BRG	XI Font incl 70mm Riser Brushed Rose Gold	992810CH	XI Slimline Font - Chrome
992800GM	XI Font incl 70mm Riser Gun Metal Grey	992810BR	XI Slimline Font - Brushed
992800PL	XI Font incl 70mm Riser Platinum	992810MB	XI Slimline Font - Matte Black
992800UB	XI Font incl 70mm Riser Urban Brass	992810MW	XI Slimline Font - Matte White
992803CH	XI Font incl 120mm Riser Chrome	992810RG	XI Slimline Font - Rose Gold
992803BR	XI Font incl 120mm Riser Brushed	992810BRG	XI Slimline Font - Brushed Rose Gold
992803MB	XI Font incl 120mm Matte Black	992810GM	XI Slimline Font - Gun Metal Grey
992803MW	XI Font incl 120mm Riser Matte White	992810PL	XI Slimline Font - Platinum
992803RG	XI Font incl 120mm Riser Rose Gold	992810UB	XI Slimline Font - Urban Brass



MIXER TAPS

Order Code	Display Name	Order Code	Display Name
991800PCH	Paddle Mixer - Chrome	991600GBRG	Gooseneck Mixer - Brushed Rose Gold
991800PBR	Paddle Mixer - Brushed	991600GGM	Gooseneck Mixer - Gun Metal Grey
991800PMB	Paddle Mixer - Matte Black	991600GPL	Gooseneck Mixer - Platinum
991800PMW	Paddle Mixer - Matte White	991600GUB	Gooseneck Mixer - Urban Brass
991800PRG	Paddle Mixer - Rose Gold	991700SCH	Square Gooseneck Mixer - Chrome
991800PBRG	Paddle Mixer - Brushed Rose Gold	991700SBR	Square Gooseneck Mixer - Brushed
991800PGM	Paddle Mixer - Gun Metal Grey	991700SMB	Square Gooseneck Mixer - Matte Black
991800PPL	Paddle Mixer - Platinum	991700SMW	Square Gooseneck Mixer - Matte White
991800PUB	Paddle Mixer - Urban Brass	991700SRG	Square Gooseneck Mixer - Rose Gold
991600GCH	Gooseneck Mixer - Chrome	991700SBRG	Square Gooseneck Mixer - Brushed Rose Gold
991600GBR	Gooseneck Mixer - Brushed	991700SGM	Square Gooseneck Mixer - Gun Metal Grey
991600GMB	Gooseneck Mixer - Matte Black	991700SPL	Square Gooseneck Mixer - Platinum
991600GMW	Gooseneck Mixer - Matte White	991700SUB	Square Gooseneck Mixer - Urban Brass
991600GRG	Gooseneck Mixer - Rose Gold		



EXTENSION ACCESSORIES

Order Code	Display Name	Order Code	Display Name
991900SCH	Extended Height Square Slimline Chrome	992111CH	Disabled Lever Chrome
991900SBR	Extended Height Square Slimline Brushed	992111MB	Disabled Lever Matte Black
991900SMB	Extended Height Square Slimline Matte Black		



Buy Online



CONSUMABLES - FILTERS & CO2

Order Code	Display Name	Order Code	Display Name
994051	Replacement Filter - 5.0 micron	996912	Replacement CO2 Cylinder - Pack 2 1000gr
994052	Replacement Filter - 0.2 Micron	994113	Pre-Filter / Inline Filter Kit
994054	Replacement Filter HSD	994007	Replacement Pre-Filter / Inline Filter
996911	Replacement CO2 Cylinder - Single 1000gr		



Billi Installation

BILLCARE INSTALLATION

Display Name
Standard Installation for Home BC, Home BA., Home C*
Standard Installation for Home BCS, B5000 Sparkling, Home CS*

Enquire Online



Service Plans

BILLCARE SERVICE PLANS

Display Name	Display Name
4 Year Service Certificate	Refillable CO2 quarterly
Silver bi-annual filter plan	Rental CO2 quarterly

Enquire Online

* Conditions Apply.



Matte black XL Levered Dispenser



"The Billi hot & filtered cold tap is by far the more superior product in my experience. There are 4 reasons for this. Firstly, we love the ease with which the Filter Cartridges - just slot in and click into place for replacement, couldn't be simpler. The second major advantage is the reduced and more efficient unit size that sits underneath in the cabinet below - it takes up far less room than the competitor offering. Importantly, the price point is by far lower, a real no brainer! And lastly, the unit is reliable and looks fabulous. I could not recommend the Billi tap enough. It isn't my first Billi tap, and it won't be my last"

Regina, Vic

"Excellent customer service, from advice, to Sales, installation and beyond. Staff are super friendly, helpful and thoughtful. Really happy with the co-written experience and the end product. I have one happy family especially a young person with different needs. Thanks, so much for going the extra mile for us"

Kerrin, AU



"We absolutely love our Billi boiling and chilled water dispenser. It's so convenient to have instant hot and cold water when you need it. It's also great to have that more uncluttered look in the kitchen, now that we don't need a kettle on the benchtop. The Billi looks classy, but unobtrusive. We've very pleased with our purchase and would recommend this product highly"

Rola, Sydney



"Such a convenient and good looking appliance. There isn't a day that goes by where we don't use our Billi. Easily pour boiling, chilled or sparkling filtered water at the touch of a button. This is our 2nd one, we moved into a house that didn't have a Billi and had to put one in!"

Fotis, Melbourne



Billi Australia Pty Ltd
42 Lucknow Crescent,
Thomastown, Victoria
3074 Australia

P 1800 812 321
F +61 3 9469 0499
W www.billi.com.au

Billi New Zealand Ltd
(T/As Merquip)
58 Walls Road, Penrose,
Auckland 1061 New Zealand

P 0800 636 0 636
F +64 9 636 8636
W www.merquip.co.nz

