



ARCADIA ZEST[®]

SUN BLADE SYSTEM

 **ARCADIA[®]**
Ventilation and Sunscreen Specialists



ZEST® SUN BLADE SYSTEM

ARCADIA®

Arcadia® is one of Australia's leading manufacturers and suppliers of natural ventilation, louvre and sun shading systems. Arcadia® products control the natural elements of the sun, wind and light to create energy effective and comfortable conditions in industrial and commercial buildings.

The successful integration of Arcadia® products by architects and designers is supported by the experienced management and engineering team at Arcadia.

If you would like to find out more about the range of products at Arcadia, please visit www.grouparcadia.com.au

Arcadia® maintains an ongoing research and testing program in the quest for product improvement and in consequence the information provided in this brochure may be subject to change without notice.



ZEST® SUN BLADE SYSTEM

OVERVIEW

The Arcadia Zest® Sun Blade System is a superior sun shading system that is complementary to contemporary architecture. Clean lines, variable angle and pitch configurations deliver functional and flexible sun shading. Arcadia Zest® Sun Blades provide shading to minimize heat gain and glare providing significant reduction in heat loads and energy costs. Zest® is designed to withstand the harsh Australian environment.

The Arcadia Zest® Sun Shading Systems are a proven market leader that have been used in projects which achieved 4-6 Green Star energy ratings. Energy efficient buildings incorporating the Zest® Sun Blades as well as other Arcadia Sun Shading, Louvre and Natural Ventilation products have achieved recognition by architects, designers and engineers for achieving sustainability and fostering comfort within a controlled environment.

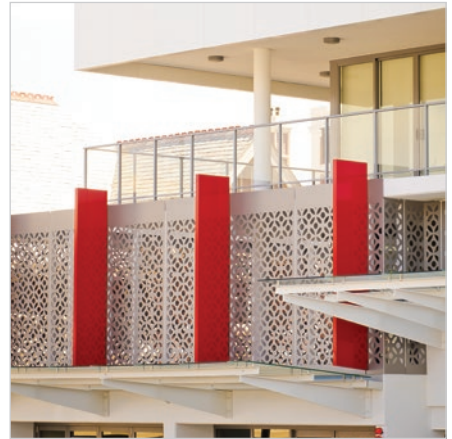
IN THIS BROCHURE YOU WILL FIND

- Zest® Sun Blade design characteristics
- Design options and fixing methods
- A comparison chart with critical data and configuration guide
- Design specification information

We are available to answer your questions. Call our experts on 1300 458 458, who will talk through your design requirements and will be more than happy to assist you.

Zest® Sun Blades are available in: Elliptical, Rectangular & Bullet blade profiles.

CONTEMPORARY DESIGN



ZEST® SUN BLADE SYSTEM

Arcadia Zest® Sun Blades sun shading systems are available in Ellipsoid, Bullet and Rectangular profiles, and can be custom designed to suit specific design intents.

The sun blades can be mounted horizontally or vertically onto the building facade or roof, and can be either fixed in location or operating..

The system is designed to provide optimal reduction of solar heat gain without compromising ambient light levels into the building. The Zest® Sun Blade widths range from 60mm to 1320mm. The Zest® Sun Blade System can be specified, designed and constructed for cyclonic regions.



Arcadia recommends that consideration is given to the sun shading requirements of the project at an early stage. It is necessary that there is sufficient structural support to meet the environment with the inclusion of the Zest® Sun Blade System.

Arcadia's technical team are available to assist with information to support the development of your next project.

ZEST® CONTROL



The Zest® Sun Blades offer an **adaptable & sophisticated** sun-shading and screening solution.

FUNCTION

Zest® Sun Blades are compatible with a range of building facades. The integration of the product to a building facade is achieved through the configuration of the sun blades. A variety of mounting solutions are available to suit sun blade width, length, pitch, span and mounting orientation, and are tailored to the development's terrain and region category to achieve a perfect architectural fit.

BENEFITS

- Elliptical, Bullet, Square & Rectangular profile options
- Fixing supports allow horizontal and vertical mounting
- Operable option with manual and mechanical control available
- Suited to commercial or residential projects with ability to retrofit
- Prevention of solar heat gain
- Natural ventilation and ambient lighting control
- Designed and manufactured by Arcadia in Australia





ZEST® FUNCTIONAL SUSTAINABILITY

Endure a long life cycle & smooth operation



ENVIRONMENT

A higher green star rating is achievable when Zest® Sun Blades are included in the design. Arcadia offers a range of products in addition to the Zest® Sun Blades. To be guided through the sustainable options please contact the team at Arcadia to assist your next project.

EFFICIENCY

With the operable control an adjustment can be made to synchronise these systems to suit the effected building environment. The Zest® Sun Blades can be operated manually, by push button, remote control or using a Solar IQ tracking unit.



Arcadia Zest is an environmentally sustainable option, being comprised of approximately 50% of recycled aluminium and being 100% recyclable at the end of the product life cycle.

The Solar IQ tracks the orbit of the sun and is compatible with the Building Management System (BMS) allowing the pitch to adjust to suit the sun angle throughout the seasons. Arcadia is dedicated to providing a high quality product and to manufacture products in an environmentally responsible way. Arcadia uses high grade material that can endure a long life cycle and smooth operation.



ZEST® SUN BLADE PROFILE

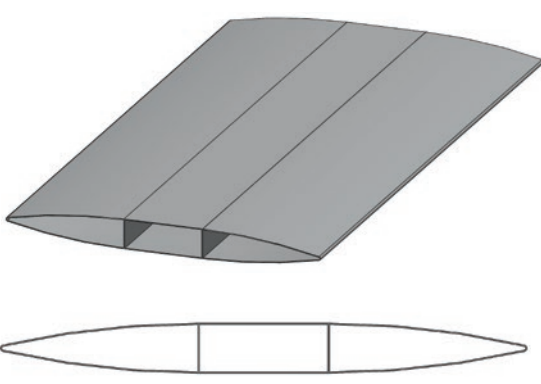
ZEST® ELLIPTICAL SUN BLADE OPTIONS

TABLE 1.0

|  | WIDTH MM | HEIGHT MM | APPROXIMATE SPAN* MM |
|---|-------------|--------------|-------------------------|
| | 60 | 10 | 1000 |
| 90 | 16 | 1500 | |
| 125 | 22 | 2500 | |
| 150 | 29 | 2750 | |
| 200 | 33 | 3000 | |
| 300 | 50 | 3500 | |
| 430 | 55 | 4000 | |
| 600 | 75 | 5000 | |

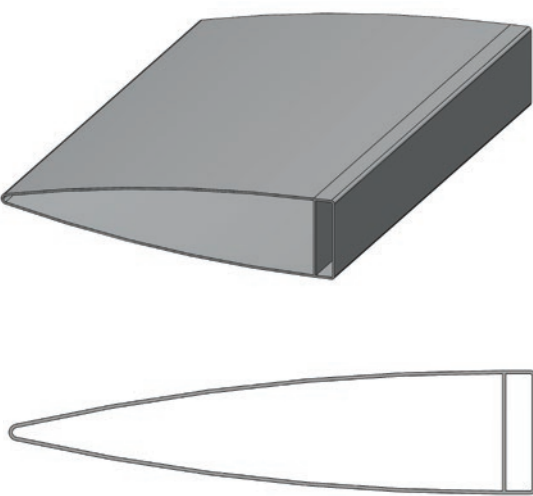
ZEST® ELLIPTICAL SUN BLADE OPTIONS WITH MODULAR INSERT

TABLE 2.0

|  | WIDTH MM | HEIGHT MM | APPROXIMATE SPAN* MM |
|--|-------------|--------------|-------------------------|
| | 580 | 55 | 4500 |
| 630 | 55 | 4500 | |
| 780 | 55 | 5000 | |
| 830 | 55 | 5000 | |
| 980 | 55 | 5000 | |
| 800 | 75 | 5000 | |
| 1000 | 75 | 5500 | |
| 1200 | 75 | 5500 | |

ZEST® BULLET SUN BLADE OPTIONS WITH MODULAR INSERT

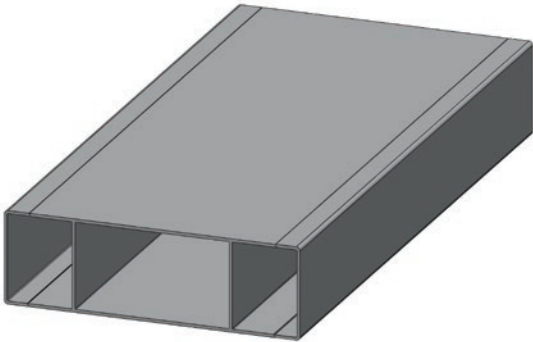

TABLE 3.0

|  | WIDTH MM | HEIGHT MM | APPROXIMATE SPAN* MM |
|---|-------------|--------------|-------------------------|
| | 235 | 55 | 3000 |
| 385 | 55 | 3500 | |
| 535 | 55 | 4000 | |
| 685 | 55 | 4500 | |
| 835 | 55 | 4500 | |
| 985 | 55 | 5000 | |
| 320 | 75 | 3500 | |
| 520 | 75 | 4500 | |
| 720 | 75 | 5000 | |
| 920 | 75 | 5500 | |
| 1120 | 75 | 5500 | |
| 1320 | 75 | 5500 | |

FIXING COMPARISON CHART

ZEST® RECTANGULAR SUN BLADE OPTIONS WITH MODULAR INSERT

TABLE 4.0

|   | WIDTH MM | HEIGHT MM | APPROXIMATE SPAN* MM |
|--|-------------|--------------|-------------------------|
| | 100 | 25 | |
| 80 | 40 | | |
| 140 | 40 | | |
| 180 | 45 | | |
| 190 | 45 | | |
| 340 | 45 | | |
| 490 | 45 | | |
| 640 | 45 | | |
| 790 | 45 | | |
| 940 | 45 | | |
| 1090 | 45 | | |
| 190 | 55 | | |
| 250 | 55 | | |
| 340 | 55 | | |
| 490 | 55 | | |
| 640 | 55 | | |
| 790 | 55 | | |
| 940 | 55 | | |
| 1090 | 55 | | |
| 240 | 75 | | |
| 440 | 75 | | |
| 640 | 75 | | |
| 840 | 75 | | |
| 1040 | 75 | | |
| 1240 | 75 | | |

ZEST® SPECIALITY SUN BLADES

TABLE 3.0

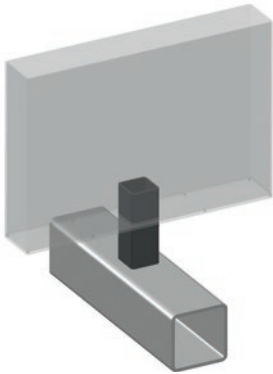


*Span is approximate and is provided as a guide. The spans provided can be increased by increasing structural support. Contact Arcadia for assistance.

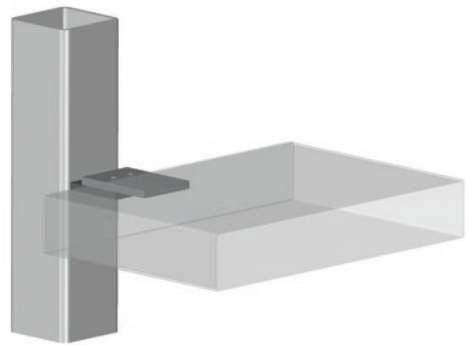
The Zest® Sun Blade product range is rigorously tested to advance the product development and focus to achieve a continual improvement.

FIXING OPTIONS

1 | SQUARE FIXING METHOD



2 | END PLATE FIXING METHOD



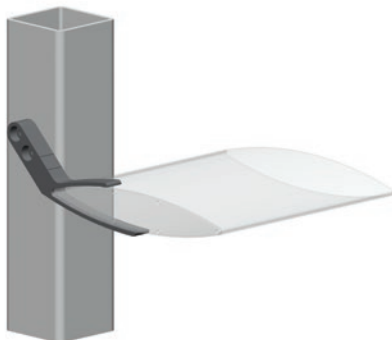
3.1 | GLOVE FIXING METHOD A



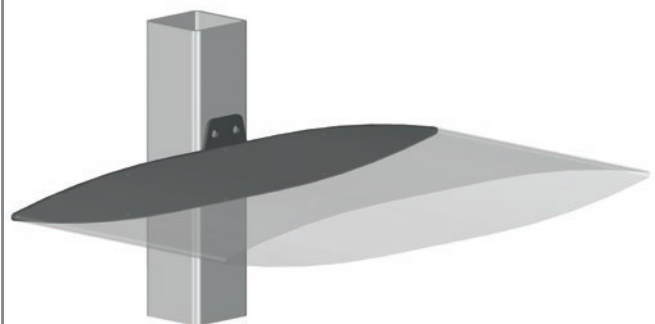
3.2 | GLOVE FIXING METHOD B



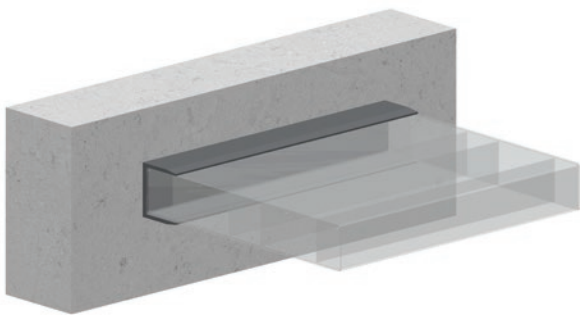
3.3 | GLOVE FIXING METHOD C



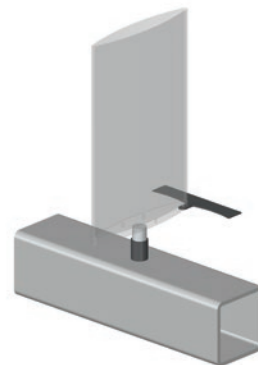
4 | REVEAL PLATE FIXING METHOD



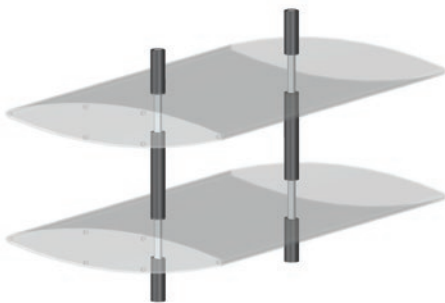
5 | CHANNEL FIXING METHOD



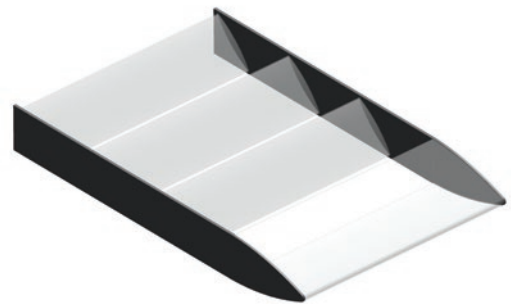
6 | TUBULAR + OPERABLE FIXING METHOD



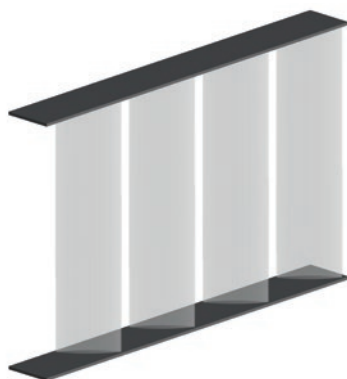
7 | THREADED ROD FIXING METHOD



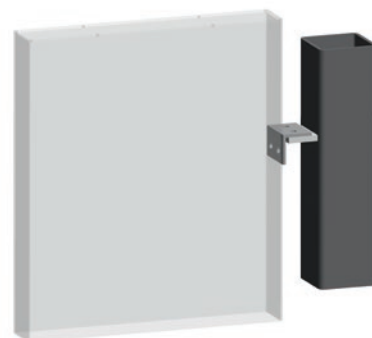
8 | PANEL FIXING WITH NOSING



9 | PANEL FIXING METHOD



10 | SQUARE VERTICAL FIXING METHOD











ZEST® | SUN BLADE SPECIFICATION

ZEST® SUN BLADES

Blades shall be Zest® Series, designed to reduce solar heat gain, manufactured from extruded aluminium base material as standard with the manufacturer and finished using (select from **A** below).

All blades shall be fitted with (select from **B** below) type louvre blades. The blade thickness shall be ___ mm and the blade width shall be ___ mm.

LOUVRE OPERATION

The Zest® Sun Blades shall be (select from **C** below) with blades orientated (select from **D** below)

INSTALLATION AND MOUNTING

Installation and mounting details will be designed to satisfy wind actions for Region (select from **E** below) and Terrain Category (select from **F** below) in accordance with AS 1170.2 structural design actions to suit Arcadia proprietary systems and manufactures recommendations.

A. ZEST® COLOUR

- Powdercoat range
- Anodising range
- Specialised finishes available upon request

B. ZEST® LOUVRE BLADE

- Elliptical (Blade Size)*
- Elliptical Modular (Blade Size)*
- Rectangular Modular (Blade Size)*
- Bullet Modular (Blade Size)*
- Specialised profile (Blade Size)*

**Blade sizes outlined on page 10 & 11*

C. BLADE OPERATION

- Fixed
- Manual operating blades
- Electric operating blades with remote control with Solar IQ
- Electric operating blades with remote control without Solar IQ

D. BLADE ORIENTATION

- Horizontal
- Vertical

REGION

- Region A
- Region B
- Region C
- Region D

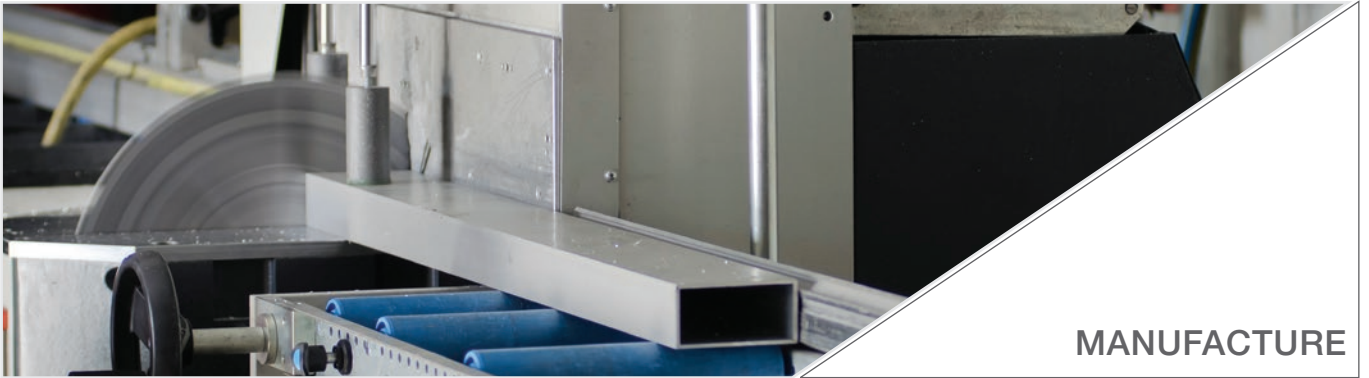
TERRAIN CATEGORY

- 1
- 2
- 2.5
- 3
- 4

ARCADIA IS A COMPANY THAT OFFERS A PROFESSIONAL TEAM WITH DIVERSE EXPERTISE.



DESIGN



MANUFACTURE



PROJECT MANAGEMENT



SERVICING MAINTENANCE

PROVIDING A FULL SPECTRUM OF SERVICES FROM CONCEPT TO COMPLETION FOR EVERY ASPECT OF YOUR PROJECT.

COMPANY NAME

Arcadia Global Pty. Ltd.

ABN No 62 008 668 291

FOUNDED

1927

EMAIL

admin@grouparcadia.com.au

WEBSITE

WWW.GROUPARCADIA.COM.AU



SYDNEY - MELBOURNE - BRISBANE - ADELAIDE - PERTH - DARWIN

PHONE 1300 458 458

EMAIL sales@grouparcadia.com.au

©2017 Arcadia Global Pty. Ltd.

This document is protected by copyright and all rights are reserved. No part of it may be reproduced, stored in a retrieval system or transmitted in any form by any means electronic, mechanical, photocopying, recording or otherwise without the prior written permission of the owner of the Copyright, or pursuant to the terms of a licence granted by behalf of the Copyright owner.