

KONE provides innovative and eco-efficient solutions for elevators, escalators and automatic building doors. We support our customers every step of the way; from design, manufacturing and installation to maintenance and modernisation. KONE is a global leader in helping our customers manage the smooth flow of people and goods throughout their buildings.

Our commitment to customers is present in all KONE solutions. This makes us a reliable partner throughout the life-cycle of the building. We challenge the conventional wisdom of the industry. We are fast, flexible, and we have a well-deserved reputation as a technology leader, with such innovations as KONE MonoSpace®, and KONE InnoTrack™. You can experience these innovations in architectural landmarks such as the Trump Tower in Chicago, the Northbridge Tower in Brisbane, the 30 St Mary Axe building in London, the Southern Cross Towers in Melbourne, the Schiphol Airport in Amsterdam, the Beijing, National Grand Theatre in China, the City Central Tower 8 in Adelaide and the Deloitte Tower in Auckland.

KONE employs over 34,000 dedicated experts to serve you globally and locally in over 50 countries.

KONE Corporation
www.kone.com

This publication is for general informational purposes only and we reserve the right at any time to alter the product design and specifications. No statement contained in this publication shall be construed as a warranty or condition, express or implied, as to any product, its fitness for any particular purpose, merchantability, quality or shall be interpreted as a term or condition of any purchase agreement for the products or services contained in this publication. Minor differences between printed and actual colors may exist. KONE, Dedicated to People Flow™, KONE MonoSpace®, KONE InnoTrack™, KONE EcoDisc®, KONE Care™, KONE Care for Life™, KONE ReSolve™ X2, KONE Polaris™, KONE Modular Based Maintenance™, KONE Voice Link™ and KONE Customer Care Centre™ are trademarks, or registered trademarks of KONE Corporation. Copyright © 2011 KONE Corporation.

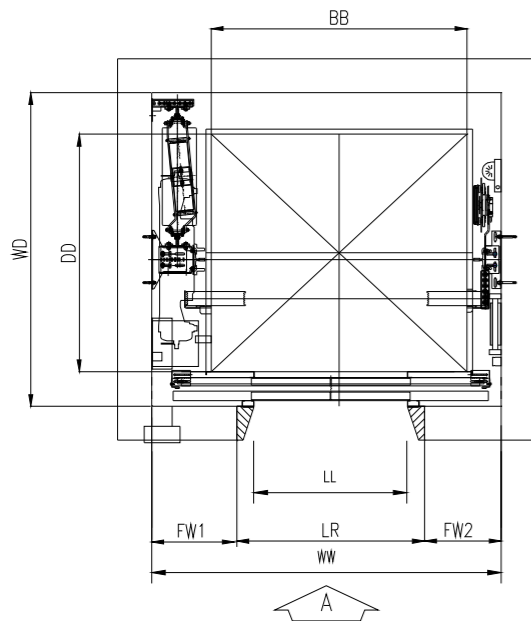
VC8063-0411



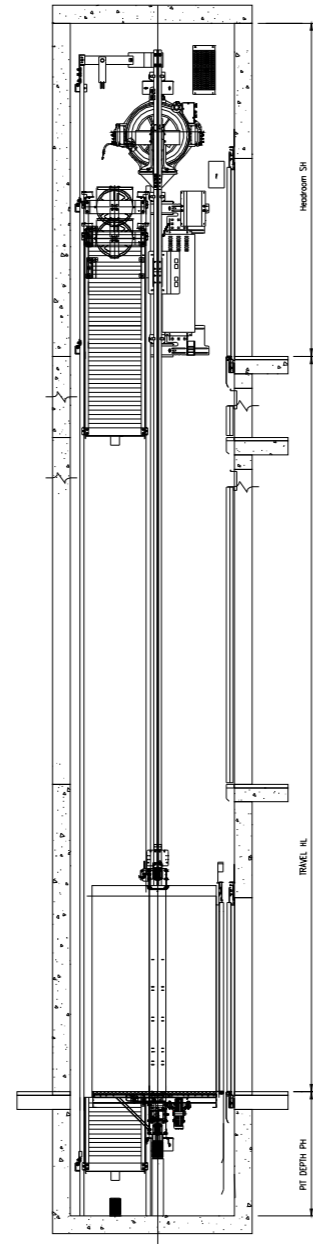
KONE 3000 MONOSPACE®

Planning Guide

KONE 3000 MonoSpace® Planning Dimensions



WALL AND PIT PLAN



SECTIONAL VIEW (V=1.0m/s)



Abbreviations

Definition	Unit	Note
FW1	mm	Side Wall Width (opposite machine)
FW2	mm	Side Wall Width (machine side)
LR	mm	Door Raw Opening Width LR = WW - (FW1 + FW2)
LL	mm	Door Clear Opening Width
WW	mm	Well Width
WD	mm	Well Depth
BB	mm	Car Width
DD	mm	Car Depth
PH	mm	Pit Depth
SH	mm	Overhead
CH	mm	Car Height
SEC	mm	Single Entrance Car
TTC	mm	Through Type Car

Persons/Load (kg)	Car Size BB x DD mm	Car Type	LL (mm)	LR (mm)	FW1 (mm)		FW2 (mm)		Well Size WW X WD (mm)											
					NOMINAL	MAXIMUM	NOMINAL	MAXIMUM	NOMINAL	MAXIMUM										
05/400	950 x 1100	SEC	700 ⁽²⁾ 800 ⁽²⁾	1050 1150	50	300	400	500	1500 x 1550 1500 x 1550	1850 x 2050 1850 x 2050										
	800 x 1200	SEC	700 ⁽²⁾	1050	50	300	250	350	1350 x 1650 1700 x 2150	1700 x 2150 1700 x 2150										
		TTC	700 ⁽²⁾	1050	50	300	250	350	1350 x 1810 1700 x 1810	1700 x 1810 1700 x 1810										
06/450	1200 x 1000	SEC	700 ⁽²⁾ 800 800 ⁽²⁾	1050 1150 1150	300 300 325	525 475 425	400 350 325	525 475 425	1750 x 1550 1800 x 1550 1800 x 1550	2100 x 2050 2100 x 2050 2100 x 2050										
			1100 x 1150	SEC	700 ⁽²⁾ 800 ⁽²⁾	1050 1150	50 325	300 425	550 425	650 425	1750 x 1650 1800 x 1650	2100 x 2050 2000 x 2000								
					1000 x 1200	SEC	800 ⁽²⁾	1150	50	300	450	550	1650 x 1750	2000 x 2050						
	1200 x 1100	SEC	800	1150	325	525	325	425	1800 x 1600 1500 x 1750	2100 x 2000 1850 x 2300										
			950 x 1300	TTC	800 ⁽²⁾	1150	50	300	400	400	1500 x 1910 1850 x 1910	1850 x 1910 1850 x 1910								
	06/480	1000 x 1250	SEC	800 ⁽²⁾ 900 ⁽²⁾ 900 ⁽²⁾	1150 1150 1150	300 300 300	425 375 350	300 300 350	450 450 450	1550 x 1700 1550 x 1700 1550 x 1700	1900 x 2200 1900 x 2200 1900 x 2200									
1100 x 1400				TTC	800	1150	300	425	300	420	1750 x 1800 1750 x 1810	1995 x 2400 1995 x 1810								
					1100 x 1400	SEC	900	1250	350	375	350	370	1750 x 1700 1995 x 2400	1995 x 2400 1995 x 2400						
1100 x 1400		TTC	900	1250	350	375	350	370	1950 x 1810 1995 x 2010	1995 x 1810 1995 x 2010										
			1100 x 1400	SEC	900 ⁽²⁾	1150	325	425	325	425	1800 x 1800 1800 x 1810	2000 x 2400 2000 x 1810								
			1100 x 1400	TTC	900	1250	375	375	375	375	2000 x 1800 1650 x 1850	2000 x 2400 2000 x 2400								
08/630 MX06&V=1.6	1100 x 1400	TTC	900 ⁽²⁾ 900 ⁽²⁾ 900 ⁽²⁾	1250	50	300	350	445	370	370	1950 x 2400 1995 x 2400 1995 x 2400									
			1100 x 1400									SEC	900	1150	325	425	325	425	1800 x 1800 1800 x 1810	2000 x 2400 2000 x 1810
													1100 x 1400	TTC	900	1250	375	375	375	375
	1100 x 1400	SEC		900	1250	375	375	375	375	2000 x 1810 2000 x 2400	2000 x 1810 2000 x 2400									
	1350 x 1400	SEC	900	1150	375	625	375	475	1900 x 1850 1950 x 1850	2250 x 2400 2250 x 2400										
			1350 x 1400	TTC	900 ⁽²⁾	1250	50	300	600	700	1900 x 1950 2250 x 2400	2250 x 2400 2250 x 2400								
1350 x 1400			SEC	900 ⁽²⁾	1250	50	300	600	700	1900 x 1950 2250 x 2400	2250 x 2400 2250 x 2400									
10/800	1100 x 1650	SEC	800 900 900 ⁽²⁾	1150 1250 1250	325 375 50	425 375 300	325 375 350	425 375 450	1800 x 2000 2000 x 2000 1650 x 2100	2000 x 2500 2000 x 2500 2000 x 2500										
			1350 x 1600	SEC	800 900 900 ⁽²⁾	1150 1250 1250	375 350 50	625 575 300	375 425 600	475 425 700	1900 x 1950 1950 x 1850 1900 x 1950	2250 x 2500 2250 x 2400 2250 x 2400								
					1500 x 1400	TTC	800	1150	425	675	475	575	2050 x 1850 2100 x 1810	2400 x 2400 2400 x 1810						
	1500 x 1400	SEC					900	1250	350	575	600	675	2100 x 1810 2050 x 1850	2400 x 1810 2400 x 2400						
	1500 x 1400	TTC	900	1250	350	500	650	650	2250 x 1810 2050 x 1950	2400 x 1810 2400 x 2400										
			1500 x 1400	SEC	900 ⁽²⁾	1250	50	300	750	850	2050 x 2010 2400 x 2010	2400 x 2400 2400 x 2010								
1500 x 1400			TTC	900 ⁽²⁾	1250	50	300	750	850	2050 x 2010 2400 x 2010	2400 x 2010 2400 x 2010									
12/900	1400 x 1500	SEC	800 900 900 ⁽²⁾	1150 1250 1250	400 350 50	645 595 295	400 350 650	495 445 745	1950 x 1950 1950 x 1950 1950 x 2050	2290 x 2500 2290 x 2500 2290 x 2500										
			1400 x 1600(3)	TTC	900 900 ⁽²⁾ 900 ⁽²⁾	1250	350 50 50	595 295 295	350 650 745	445 745 445	1950 x 1950 1950 x 2010 1950 x 2010	2290 x 2500 2290 x 2010 2290 x 2010								
					1600 x 1400	TTC	900	1250	450 350	695 545	450 600	545 695	2150 x 1850 2200 x 1810	2490 x 2400 2490 x 1810						
	SEC	1000					1350	400	645	400	495	2150 x 1850 2150 x 2010	2490 x 2400 2490 x 2010							
	1100 x 2100	TTC	900	1250	375 375	375 375	375 375	375 375	2000 x 2450 2000 x 2510	2000 x 2800 2000 x 2510										
			SEC	900 ⁽²⁾	1250	50 295	350 295	445 350	445	1650 x 2550 1650 x 2710	1990 x 2900 1990 x 2710									
SEC			1000	1350	425 425	425 425	425 425	425	2200 x 2450 2200 x 2510	2200 x 2800 2200 x 2510										
13/1000	1200 x 1980	TTC	900 1000 1000 ⁽²⁾	1250	350 350 100	420 420 210	350 350 430	420 420 430	1950 x 2300 1950 x 2390 1880 x 2550	2090 x 2700 2090 x 2390 1990 x 2900										
			1400 x 1700	TTC	900	1250	350 50	420 295	350 450	420 545	1950 x 2390 1750 x 2400	2090 x 2700 2090 x 2800								
					SEC	1000 ⁽²⁾	1350	50 50	295 295	400 445	445	1800 x 2590 1800 x 2590	2090 x 2590 2090 x 2590							
	1400 x 1700	TTC	900	1250	350 350	595 515	350 425	445 425	1950 x 2050 2200 x 1990	2290 x 2500 2290 x 2110										
			SEC	1000	1350	425 425	515 515	425 425	425	2200 x 2110 2200 x 2110	2290 x 2110 2290 x 2110									
			SEC	1100	1450	450 450	450 450	450 450	450	2350 x 2050 2350 x 2110	2350 x 2500 2350 x 2110									
1400 x 1700	TTC	900 ⁽²⁾	1250	50 50	295 295	650 650	745 745	1950 x 2150 1950 x 2310	2290 x 2500 2290 x 2310											
		SEC	1000 ⁽²⁾	1350	50	295	550	645	1950 x 2150 1950 x 2310	2290 x 2500 2290 x 2310										
		SEC	1100 ⁽²⁾	1450	50	295	450	545	1950 x 2150 1950 x 2310	2290 x 2500 2290 x 2310										
	1400 x 1700	TTC	900	1250	50 425	295 515	650 425	745 425	1950 x 2150 2200 x 1990	2290 x 2500 2290 x 2110										
			SEC	1000	1350	425 425	515 515	425 425	425	2200 x 2110 2200 x 2110	2290 x 2110 2290 x 2110									
			SEC	1100	1450	450 450	450 450	450 450	450	2350 x 2050 2350 x 2110	2350 x 2500 2350 x 2110									

(2) For side opening door. Please contact KONE representative for details

Speed (m/s)	Car Interior Height (mm)	Door Height (mm)	Floor Door cutout height (mm)	Pit depth PH(mm)		Overhead SH(mm)	
				NOMINAL	MAXIMUM	NOMINAL	MAXIMUM
1.0	2100	2000 2100	2225 2325	1150	1650	3500	5000
	2200					3600	5000
	2300					3700	5000
	2400					3800	5000
1.6	2200	2000 2100	2225 2325	1350 ⁽¹⁾	2100	3850	5000
	2300					3950	5000
	2400					4050	5000

(1) When TTC car and DD<2000mm, add 200mm to NOM PH

KONE provides innovative and eco-efficient solutions for elevators, escalators and automatic building doors. We support our customers every step of the way; from design, manufacturing and installation to maintenance and modernisation. KONE is a global leader in helping our customers manage the smooth flow of people and goods throughout their buildings.

Our commitment to customers is present in all KONE solutions. This makes us a reliable partner throughout the life-cycle of the building. We challenge the conventional wisdom of the industry. We are fast, flexible, and we have a well-deserved reputation as a technology leader, with such innovations as KONE MonoSpace®, and KONE InnoTrack™. You can experience these innovations in architectural landmarks such as the Trump Tower in Chicago, the Northbridge Tower in Brisbane, the 30 St Mary Axe building in London, the Southern Cross Towers in Melbourne, the Schiphol Airport in Amsterdam, the Beijing, National Grand Theatre in China, the City Central Tower 8 in Adelaide and the Deloitte Tower in Auckland.

KONE employs over 34,000 dedicated experts to serve you globally and locally in over 50 countries.

KONE Corporation
www.kone.com

This publication is for general informational purposes only and we reserve the right at any time to alter the product design and specifications. No statement contained in this publication shall be construed as a warranty or condition, express or implied, as to any product, its fitness for any particular purpose, merchantability, quality or shall be interpreted as a term or condition of any purchase agreement for the products or services contained in this publication. Minor differences between printed and actual colors may exist. KONE, Dedicated to People Flow™, KONE MonoSpace®, KONE InnoTrack™, KONE EcoDisc®, KONE Care™, KONE Care for Life™, KONE ReSolve™ X², KONE Polaris™, KONE Modular Based Maintenance™, KONE Voice Link™ and KONE Customer Care Centre™ are trademarks or registered trademarks of KONE Corporation. Copyright © 2011 KONE Corporation.

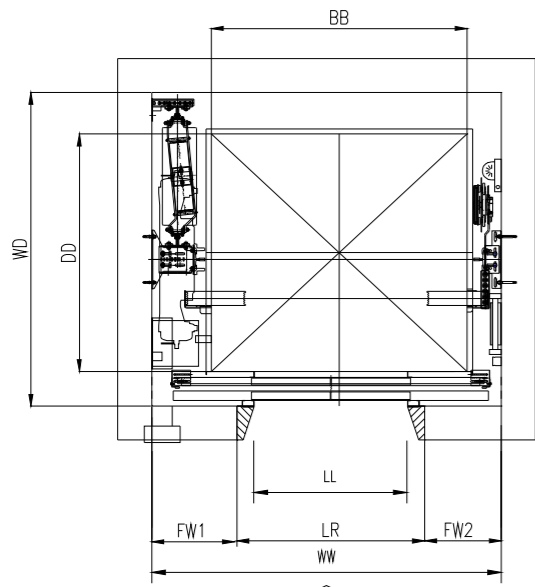
VC8063-0411



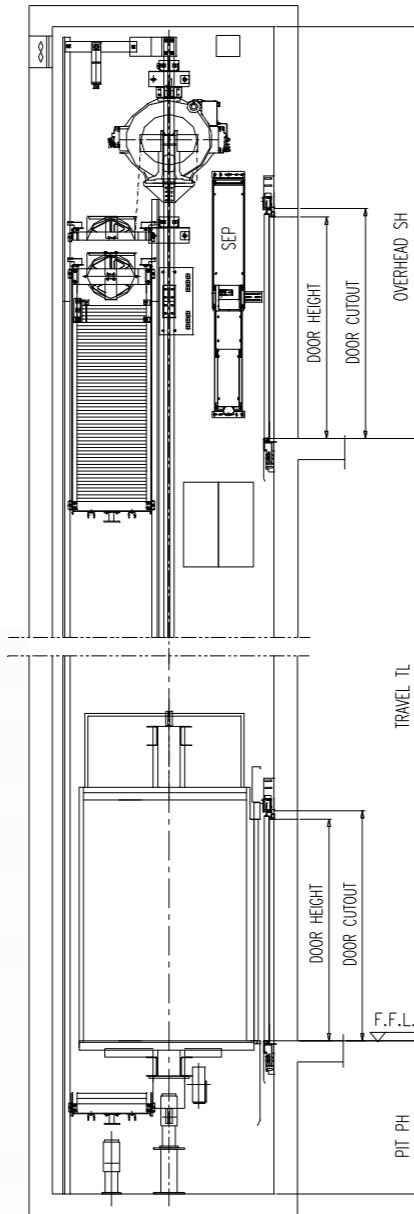
KONE 3000S MONOSPACE®

Planning Guide

KONE 3000S MonoSpace® Planning Dimensions



WALL AND PIT PLAN



SECTION A - A (CAR AT BOTTOM)



Abbreviations

	Definition	Unit	Note
FW1	Side Wall Width (opposite machine)	mm	
FW2	Side Wall Width (machine side)	mm	
LR	Door Raw Opening Width	mm	LR = WW - (FW1 + FW2)
LL	Door Clear Opening Width	mm	
WW	Well Width	mm	
WD	Well Depth	mm	
BB	Car Width	mm	
DD	Car Depth	mm	
CH	Car Height	mm	
PH	Pit Depth	mm	
SH	Overhead	mm	
SEC	Single Entrance Car	mm	
TTC	Through Type Car	mm	

Persons/Load (kg)	Car Size BB x DD mm	Car Type	LL (mm)	LR (mm)	FW1 (mm)		FW2 (mm)		Well Size WW X WD (mm)	
					NOMINAL	MAXIMUM	NOMINAL	MAXIMUM	NOMINAL ⁽²⁾	MAXIMUM ⁽²⁾
15/1150 1.0 to 1.75m/s	1800 x 1450	SEC	1000	1200	550	750	750	785	2500 x 2000	2735 x 2400
	1700 x 1500	SEC	1000	1200	500	700	700	735	2350 x 1950	2600 x 3450
	1500 x 1800	SEC	900	1100	450	650	600	650	2150 x 2150	2400 x 2650
	1600 x 1550	SEC	900	1100	525	710	625	710	2250 x 2050	2520 x 2500
	1200 x 2100	TTC	900	1100	850	1035	340	385	2290 x 2240	2520 x 2240
	1300 x 2100	SEC	900	1100	475	510	475	760	2050 x 2450	2220 x 2800
17/1275 1.0 to 1.75m/s	1200 x 2300	SEC	1000	1200	500	555	485	600	2160 x 2450	2520 x 2950
	2000 x 1400	SEC	1100	1300	550	625	550	605	2300 x 2750	2370 x 3300
		SEC	1200	1400	595	645	805	835	2700 x 2050	2780 x 2400
18/1350 1.0 to 1.75m/s	2000 x 1500	SEC	1100	1300	545	595	755	785	2700 x 2050	2780 x 2400
		TTC	1100	1300	645	1075	855	1055	2700 x 2100	3330 x 2500
		SEC	1200	1400	595	975	755	955	2750 x 2100	3330 x 2500
	1300 x 2300	SEC	1100	1300	550	590	550	655	2400 x 2750	2545 x 3150
		TTC	1100	1300	550	590	550	655	2400 x 2790	2545 x 2790
	1600 x 1800	SEC	1000	1200	495	875	655	855	2350 x 2250	2930 x 2650
1500 x 2000	TTC	1000	1200	770	1150	380	580	2350 x 2490	2930 x 2490	
	SEC	900	1100	440	875	660	855	2200 x 2350	2830 x 2750	
	SEC	1000	1200	545	985	755	965	2500 x 2100	3150 x 2500	
15/1150(c)	1700 x 1500	SEC	1100	1300	545	935	705	915	2550 x 2100	3150 x 2500
	SEC	1000	1200	545	985	755	965	2500 x 2100	3150 x 2500	
17/1275(c)	1200 x 2300	SEC	1100	1300	500	565	600	625	2300 x 2750	2390 x 3300
		SEC	1100	1300	550	635	550	615	2400 x 2750	2550 x 3300
	2000 x 1400	SEC	1100	1300	595	655	805	845	2700 x 2050	2800 x 2400
18/1350(c)	2000 x 1500	SEC	1200	1400	545	605	755	795	2700 x 2050	2800 x 2400
		TTC	1100	1300	645	1085	855	1065	2700 x 2100	3350 x 2500
		SEC	1200	1400	595	985	755	965	2750 x 2100	3350 x 2500
	1300 x 2300	SEC	1100	1300	550	600	550	665	2400 x 2750	2565 x 3150
		TTC	1100	1300	550	600	550	665	2400 x 2790	2565 x 2790
	1600 x 1800	SEC	1000	1200	495	885	655	865	2350 x 2250	2950 x 2650
1500 x 2000	TTC	1000	1200	770	1160	380	590	2350 x 2490	2950 x 2490	
21/1600(c)	2100 x 1600	SEC	900	1100	440	885	660	865	2200 x 2350	2850 x 2250
		SEC	1100	1300	645	1085	855	1065	2800 x 2150	3450 x 2550
	1400 x 2400	SEC	1200	1400	595	1035	805	1015	2300 x 2850	2750 x 3200
		TTC	1200	1400	165	610	735	740	2300 x 3090	2750 x 3090
		SEC	1300	1500	165	610	635	640	2300 x 2850	2750 x 3200
		TTC	1300	1500	165	610	635	640	2300 x 3090	2750 x 3090
	1800 x 1800	SEC	1100	1300	545	935	705	915	2550 x 2250	3150 x 2650
		SEC	1200	1400	595	925	655	825	2650 x 2250	3150 x 2650
		TTC	1100	1300	870	1260	380	590	2550 x 2490	3150 x 2490
		TTC	1200	1400	770	1160	380	590	2550 x 2490	3150 x 2490
		SEC	1000	1200	495	885	655	865	2350 x 2450	2950 x 2850
		TTC	1000	1200	770	1160	380	590	2350 x 2790	2950 x 2790
1700 x 2000	SEC	1000	1200	545	935	705	915	2450 x 2350	3050 x 2750	
	SEC	1100	1300	545	885	655	865	2500 x 2350	3050 x 2750	
	SEC	1000	1200	695	1085	855	1065	2750 x 2200	3350 x 2600	
	SEC	1100	1300	645	1035	805	1015	2750 x 2200	3350 x 2600	
24/1800(c)	2350 x 1600	SEC	1200	1400	595	985	755	965	2750 x 2200	3350 x 2600
		SEC	1100	1300	770	1210	980	1190	3050 x 2150	3700 x 2550
26/2000(c)	1500 x 2700	SEC	1200	1400	720	1160	930	1140	3050 x 2150	3700 x 2550
		TTC	1200	1400	150	610	750	840	2300 x 3150	2850 x 3500
		TTC	1300	1500	150	610	750	840	2300 x 3390	2850 x 3390
	2350 x 1700	SEC	1100	1300	770	1210	980	1190	3050 x 2200	3700 x 2600
		SEC	1200	1400	720	1160	930	1140	3050 x 2200	3700 x 2600
		SEC	1100	1300	645	1075	855	1055	2800 x 2150	3430 x 2550
21/1600 1.0 to 1.75m/s	2100 x 1600	SEC	1200	1400	595	1025	805	1005	2800 x 2150	3430 x 2550
		SEC	1100	1300	645	1085	855	1065	2700 x 2100	3350 x 2500
	1400 x 2400	SEC	1200	1400	165	600	735	730	2300 x 2850	2730 x 3200
		TTC	1200	1400	165	600	735	730	2300 x 3090	2730 x 3090
		SEC	1300	1500	165	600	635	630	2300 x 2850	2730 x 3200
		TTC	1300	1500	165	600	635	630	2300 x 3090	2730 x 3090
	1800 x 1800	SEC	1100	1300	545	925	705	905	2550 x 2250	3130 x 2650
		SEC	1200	1400	595	915	655	815	2650 x 2250	3130 x 2650
		TTC	1100	1300	870	1250	380	580	2550 x 2490	3130 x 2490
		TTC	1200	1400	770	1150	380	580	2550 x 2490	3130 x 2490
	1600 x 2100	SEC	1000	1200	495	875	655	855	2350 x 2450	2930 x 2850
		TTC	1000	1200	770	1150	380	580	2350 x 2790	2930 x 2790
SEC		1000	1200	545	925	705	905	2450 x 2350	3030 x 2750	
SEC		1100	1300	545	875	655	855	2500 x 2350	3030 x 2750	
2000 x 1750	SEC	1000	1200	695	1075	855	1055	2750 x 2200	3330 x 2600	
	SEC	1100	1300	645	1025	805	1005	2750 x 2200	3330 x 2600	
	SEC	1200	1400	595	975	755	955	2750 x 2200	3330 x 2600	
	SEC	1100	1300	595	975	755	955	2750 x 2200	3330 x 2600	

Person/Load (kg)	Pit depth PH (mm)					Overhead SH(mm) CH=2280-2700 (mm)				
	1.0 m/s	1.6 m/s	1.75 m/s	2.0 m/s	2.5 m/s	1.0 m/s	1.6 m/s	1.75 m/s	2.0 m/s	2.5 m/s
1150	1340	1500	1600	1800	2180	3830 ^(a) OR CH+1410 ^(b)	CH+1570	CH+1630	4150 ^(a) OR CH+1720 ^(b)	4450 ^(a) OR CH+2010 ^(b)
1275	1430	1530	1600	1820	2180					
1350	1430	1530	1600	1820	2180					
1600	1450	1560	1600	1850	2210					
1800	1580	1690	1830	1850	2210					
2000	1640	1740	1890	1900	2260					

(a) CH=2280-2400 mm (b) CH=2500-2700 mm (c) For Speeds = 2.5 m/s, BB > 1600 mm