



Product Specifications

www.ezconcept.com.au



As manufacturers of the world renowned EzyJamb door jamb systems, EZ Concept's openings and finishings products produce minimalistic flush finishes by eliminating architraves, skirtings and traditional timber systems for commercial, residential and industrial interiors.

EXPERIENCE EZCONCEPT

Opening Products



Page 06 | The Flush Finish Door Jamb System



Page 20 | Door Hardware



Page 24 | Cavity Slider Trim Kit



Page 26 | The Flush Finish Cavity Slider Solution



Page 28 | Smooth Wall to Access Panel Transitions

Finishing Products



Page 34 | Economical Recessed Window Pelmet Systems



Page 36 | The Versatile Alternative for Stop Ends



Page 37 | Custom Rebates and Capping made Easy



Page 38 | Premium Architrave Free Window Reveals



Page 39 | Anodised Aluminium Skirting Board Trim

The image features a 3D rendered scene with white geometric shapes, including a large 'P' and a series of rectangular blocks. The text 'Opening Products' is overlaid in a red outline font. The word 'Opening' is in a smaller, bold font, while 'Products' is in a larger font. The background is a gradient of light gray to white.

Opening Products



EzyJamb

EZC | Classic Adjust Door Frame

EzyJamb® Classic Adjust - EZC is a split type door jamb system that creates inconspicuous clean lines to complete the contemporary look of architectural spaces. The two-piece jamb is adjustable to allow for various wall thicknesses, ensuring a smooth finish along the wall face.

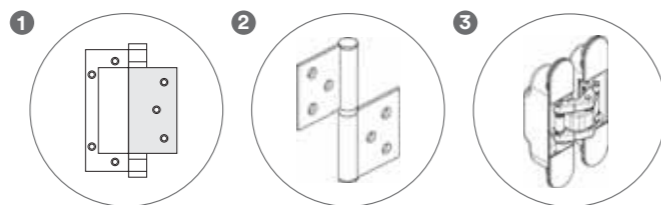


Specification Details

EZYJAMB EZC CLASSIC ADJUST DOOR FRAME - FOR 35mm, 38mm & 45mm DOORS

Door Height	2040mm Standard	(Custom Sizes available on request)
Door Widths	420 - 1020mm	(Custom Sizes available on request)
Door Thickness	32 - 45mm	
Finished Wall Thickness	82 - 220mm	(Including Plaster)
Latch Plate Height	1020mm (Center line from base of door frame)	(Custom measurement available upon request)

- Hinge Options
- 1 Herline Hinges
 - 2 Lift-Off Hinges
 - 3 Concealed Hinges



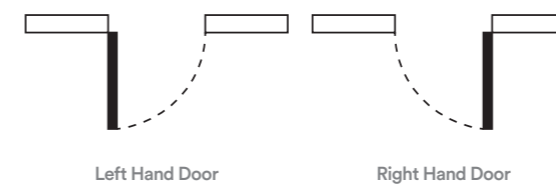
Hardware

EzyJamb EZC Door Jamb are available with the following hardware options.

The following hardware specifications are required for product warranties.

Door Type	Herline, Liftoff and Concealed Hinges	Stainless Steel Latchplate	Plastic Latch Insert	1020mm Latchplate Punching
Standard Doors 2040mm high or less	2	1	1	1
Standard Doors 2040mm-2340mm high	3	1	1	1
Double Doors 2040mm high or less	4			
Double Doors 2040mm-2340mm	6			

EzyJamb EZC Australian Door Handing



Pricing & Quotes

All prices for EzyJamb, accessories and associated processes do not include GST or freight charges unless expressly noted in writing. Always confirm pricing prior to order.

Custom Door Sizes

Custom size EzyJamb are available on request. Longer lead times and additional charges may apply. Custom latch plate punching available on request.

Jamb Height

Manufactured jambs are always cut 25mm longer than the specified door height - to allow for floor coverings.

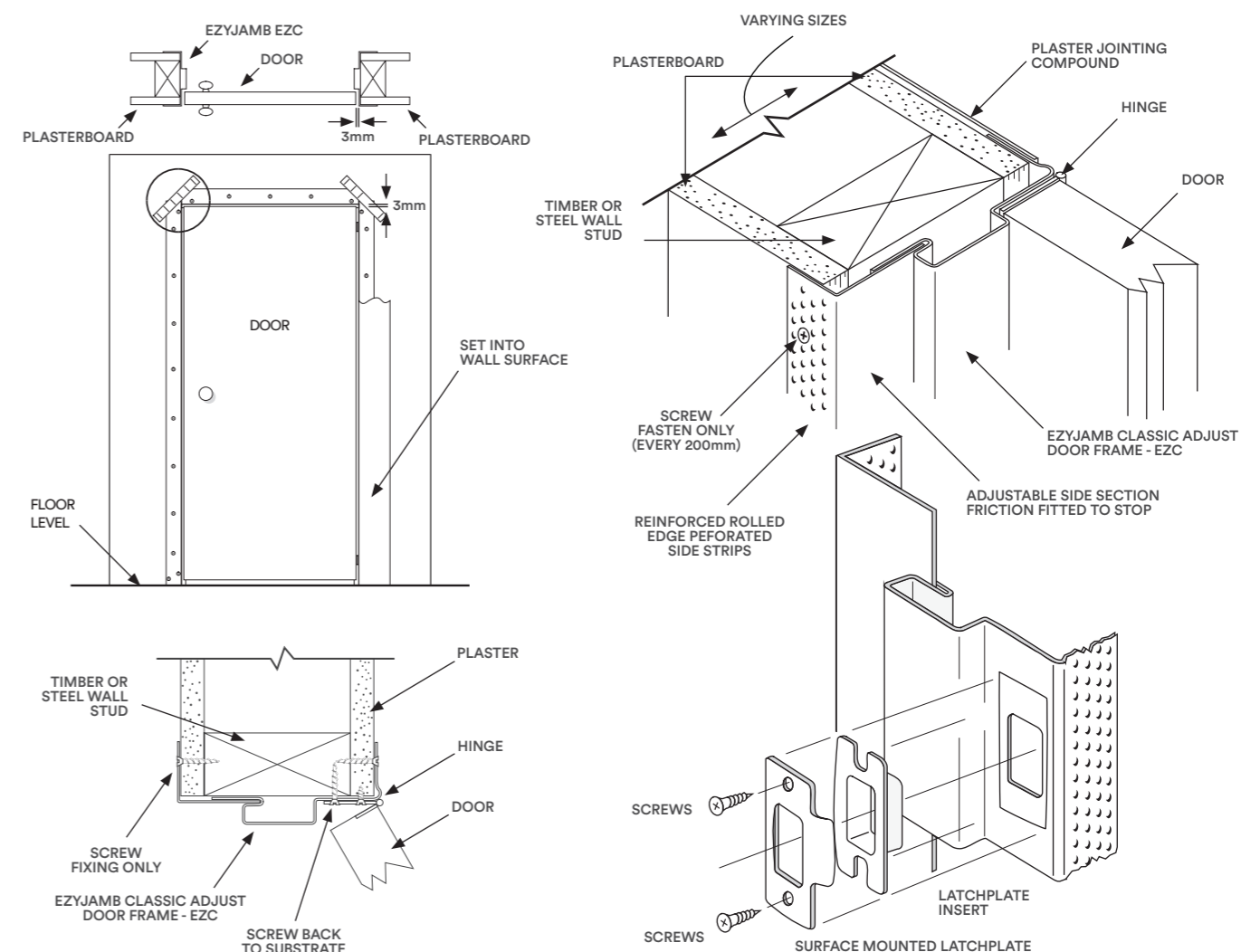
Latch Plate Punching

Latch plate punching is standard at 1020mm from base of jamb. All latch plate punching dimensions are measured from the base of jamb up.

Availability

Lead times apply to all EzyJamb orders. Typical lead time from date of order to delivery is fifteen (15) working days.

Door Opening Preparation



Step 1

Ensure that the stud opening is square and level and measures:

Stud opening sizes for Herline /Liftoff Hinges

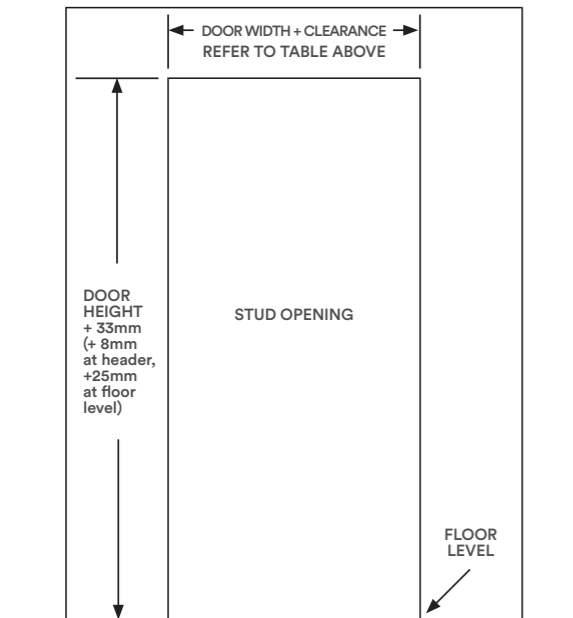
Width Single Door	Door Width +15mm Clearance
Width Double Door	Door Width +18mm Clearance
Height	Door Height +33mm (+8mm at header, +25mm at floor level)*

Stud opening sizes for RY-60 Concealed Hinges

Width Single Door	Door Width +40mm Clearance
Width Double Door	Door Width +63mm Clearance
Height	Door Height +33mm (+8mm at header, +25mm at floor level)*

*depending on floor clearance. Check with the Project Manager on site to confirm floor coverings.

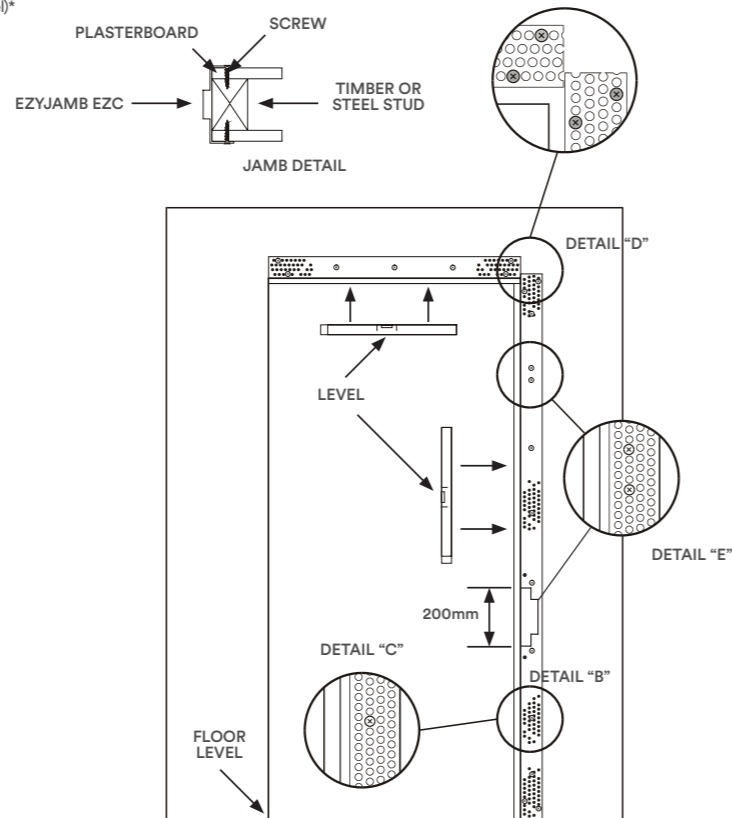
i It is strongly recommended that a timber stud or a 0.75 BMT metal stud is used on both sides of the opening.



Step 2

Fasten hinge side first, making sure jamb is level and as tight against stud opening as possible. Then screw at 200mm centres up stile, screwing back through plasterboard into stud work See *Detail 'B'* and *'C'*.

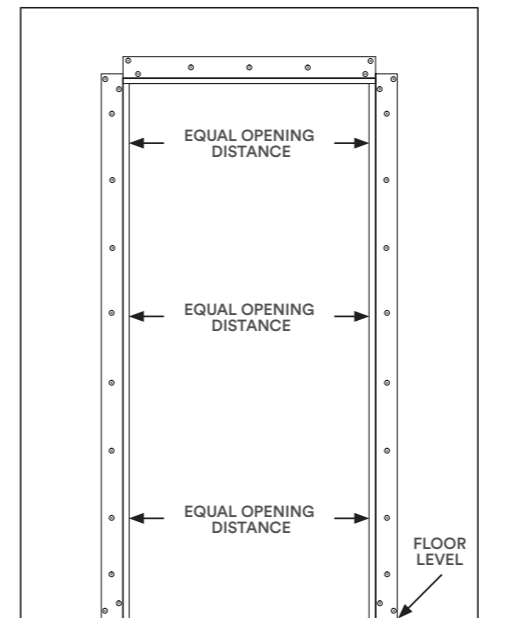
Double screw all ends as per *Detail D*. and beside hinge position - both above and below hinge as *Detail E*.



Step 3

Fit the final vertical section (strike jamb) into the head section joining clip. Ensure that the spacing between the two vertical sections are spaced evenly at the required distance.

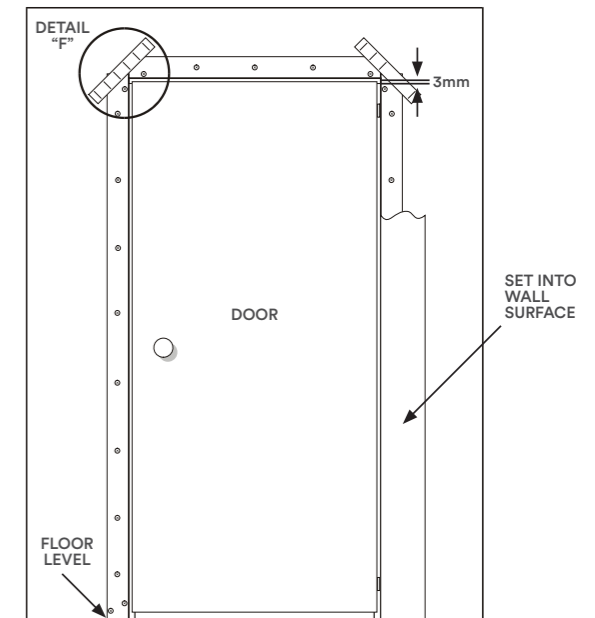
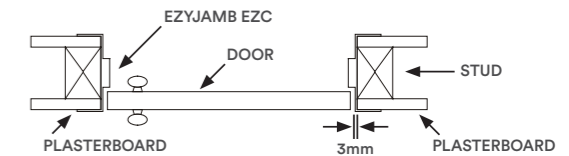
ie: 820mm door, opening is 825mm
 720mm door, opening is 725mm



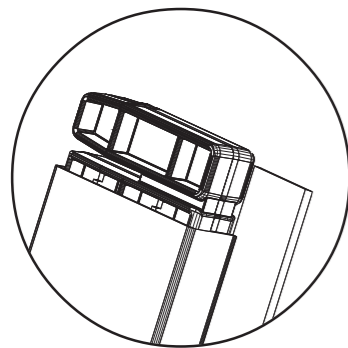
Step 4

Ensure the perforated side strips sit flat against the plasterboard to enable the jamb sections to be easily set into the wall surface. **All the corners must be taped and plastered/jointed in as Detail F.** Finish the jamb with approved plaster/jointing compound.

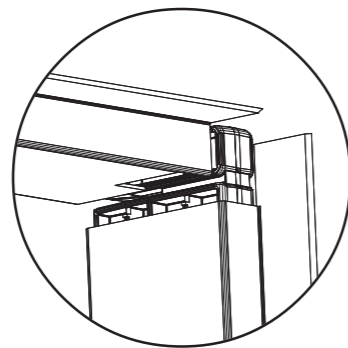
Hang the door in position leaving about 3mm clearance from the top and the hinged side using the EzyJamb Standard or concealed Hinges. Surface mount the striker plate into position to align with the latch plate punching.



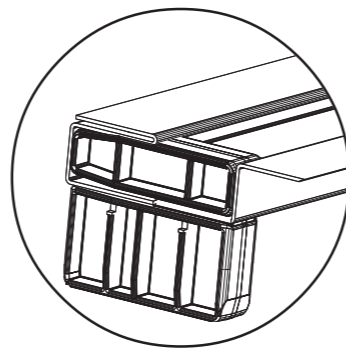
Step 2A | Head Installation



Head joiners as inserted in jamb.



Locate head into joiner and make flush with jamb so the head joiner is not seen.



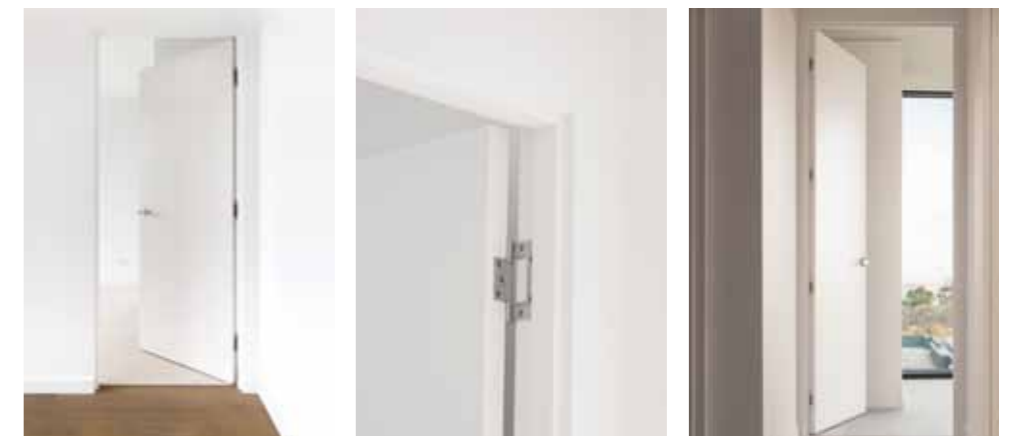
Remove the remaining head joiner out of the strike jamb into the end of the head (as shown) to receive the strike jamb.

Completed Installation

The completed jamb is flush finished and can be painted in with the whole wall area to fully conceal any fixing, achieving simple clean lines around the door face.

For further information or assistance in installation of EzyJamb products, please visit:

www.ezconcept.com.au/installation



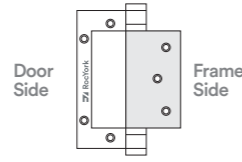


RocYork Herline Hinges

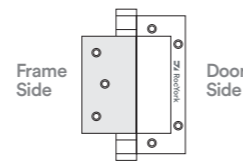
Specially designed and manufactured to partner with the EzyJamb® door jamb systems, the loose pin RocYork® Herline Hinges are surface mounted, making them easy to install.

When ordering, please be aware that RocYork Herline hinges are available as left or right handed. The drawings below illustrate what the left and right hinges look like.

Australian Handing
Left



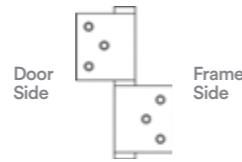
Australian Handing
Right



RocYork Lift-off Hinges

RocYork Lift-off hinges are ideal for doors that require a service gap, such as bathrooms and toilets. In compliance with NCC (BCA) 2011 F2.5 (b), EzyJamb doors with Lift-off hinges can be quickly lifted and removed without the need for unscrewing the hinge, saving time in an emergency.

Australian Handing
Left



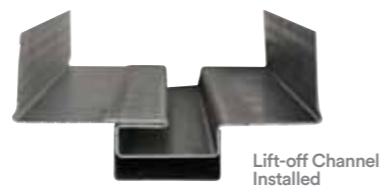
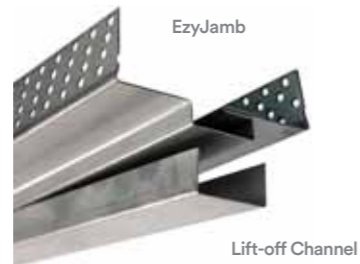
Australian Handing
Right



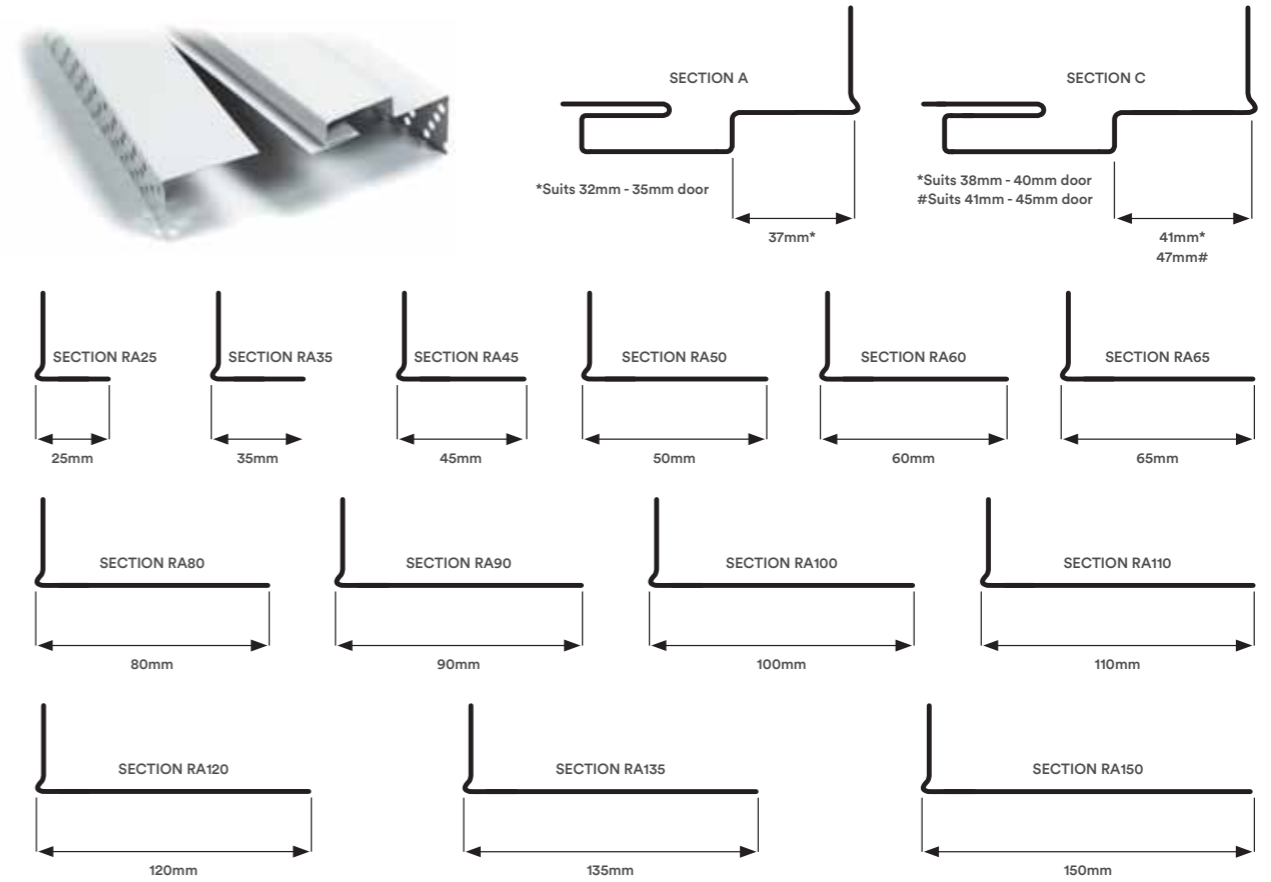
EzyJamb Liftoff Channel

The EzyJamb Lift-off Channel complements the RocYork Lift-off hinges by creating a deep rebate that conceals the service gap above the door, but still allows for compliance with BCA requirements.

The special EzyJamb Lift-off Channel fits over the header stop and is affixed with construction adhesive, for easy installation.



EzyJamb Classic Adjust EZC is available in a variety of sizes to suit your requirements. Below are the components of the EzyJamb Classic Adjust EZC system.



Finished Wall Tolerances - Section A

Combinations	Minimum	Maximum
Section A & RA25	82mm	91mm
Section A & RA35	91mm	101mm
Section A & RA45	101mm	111mm
Section A & RA50	106mm	116mm
Section A & RA60	116mm	126mm
Section A & RA65	121mm	131mm
Section A & RA75	131mm	141mm
Section A & RA80	136mm	146mm
Section A & RA90	146mm	156mm
Section A & RA100	156mm	166mm
Section A & RA110	166mm	176mm
Section A & RA120	176mm	186mm
Section A & RA135	191mm	201mm
Section A & RA150	206mm	216mm

Finished Wall Tolerances - Section C

Combinations	Minimum	Maximum
Section C & RA25	85mm	95mm
Section C & RA35	95mm	105mm
Section C & RA45	105mm	115mm
Section C & RA50	110mm	120mm
Section C & RA60	120mm	130mm
Section C & RA65	125mm	135mm
Section C & RA75	135mm	145mm
Section C & RA80	140mm	150mm
Section C & RA90	150mm	160mm
Section C & RA100	160mm	170mm
Section C & RA110	170mm	180mm
Section C & RA120	180mm	190mm
Section C & RA135	195mm	205mm
Section C & RA150	210mm	220mm

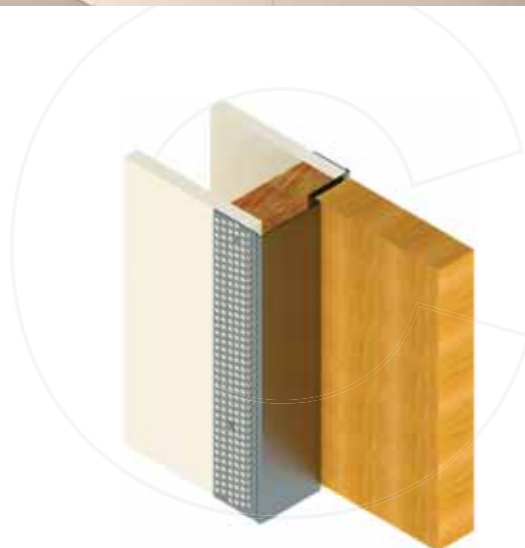
Custom Sizes available on request



EzyJamb

SRC | Single Rebate Door Frame

Give your project a clean-cut architrave free edge with the EzyJamb Single Rebate – SRC door frame. This one-piece frameless door jamb is made custom to perfectly suit your wall thickness for a flush finish. The premium design of the EzyJamb SRC provides a smooth transition from one side of the door jamb allowing a minimalistic sophistication in apartments, homes and commercial buildings.

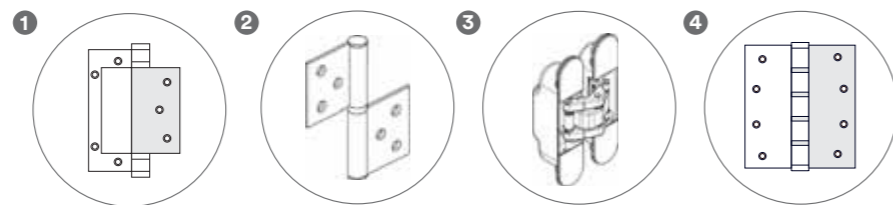


Specification Details

EZYJAMB SRC SINGLE REBATE DOOR FRAME

Door Height	2040-2340mm	(Custom Sizes available on request)
Door Widths	420 - 1020mm	(Custom Sizes available on request)
Door Thickness	32mm - 60mm	
Finished Wall Thickness	80 - 220mm	(Including Plaster)
Latch Plate Height	1020mm (Centre line from base of door frame)	(Custom measurement available upon request)

- Hinge Options
- 1 Herline Hinges
 - 2 Lift-Off Hinges
 - 3 Concealed Hinges
 - 4 Mortice Hinges



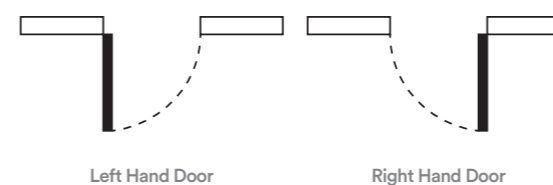
Hardware

EzyJamb SRC Door Jamb are available with the following hardware options.

The following hardware specifications are required for product warranties.

Door Type	Herline, Liftoff and Concealed Hinges	Stainless Steel Latchplate	Plastic Latch Insert	1020mm Latchplate Punching
Standard Doors 2040mm high or less	2	1	1	1
Standard Doors 2040mm-2340mm high	3	1	1	1
Double Doors 2040mm high or less	4			
Double Doors 2040mm-2340mm	6			

EzyJamb SRC Australian Door Handing



Pricing & Quotes

All prices for EzyJamb, accessories and associated processes do not include GST or freight charges unless expressly noted in writing. Always confirm pricing prior to order.

Custom Door Sizes

Custom size EzyJamb are available on request. Longer lead times and additional charges may apply. Custom latch plate punching available on request.

Jamb Height

Manufactured jambs are always cut 25mm longer than the specified door height - to allow for floor coverings.

Latch Plate Punching

Latch plate punching is standard at 1020mm from base of jamb. All latch plate punching dimensions are measured from the base of jamb up.

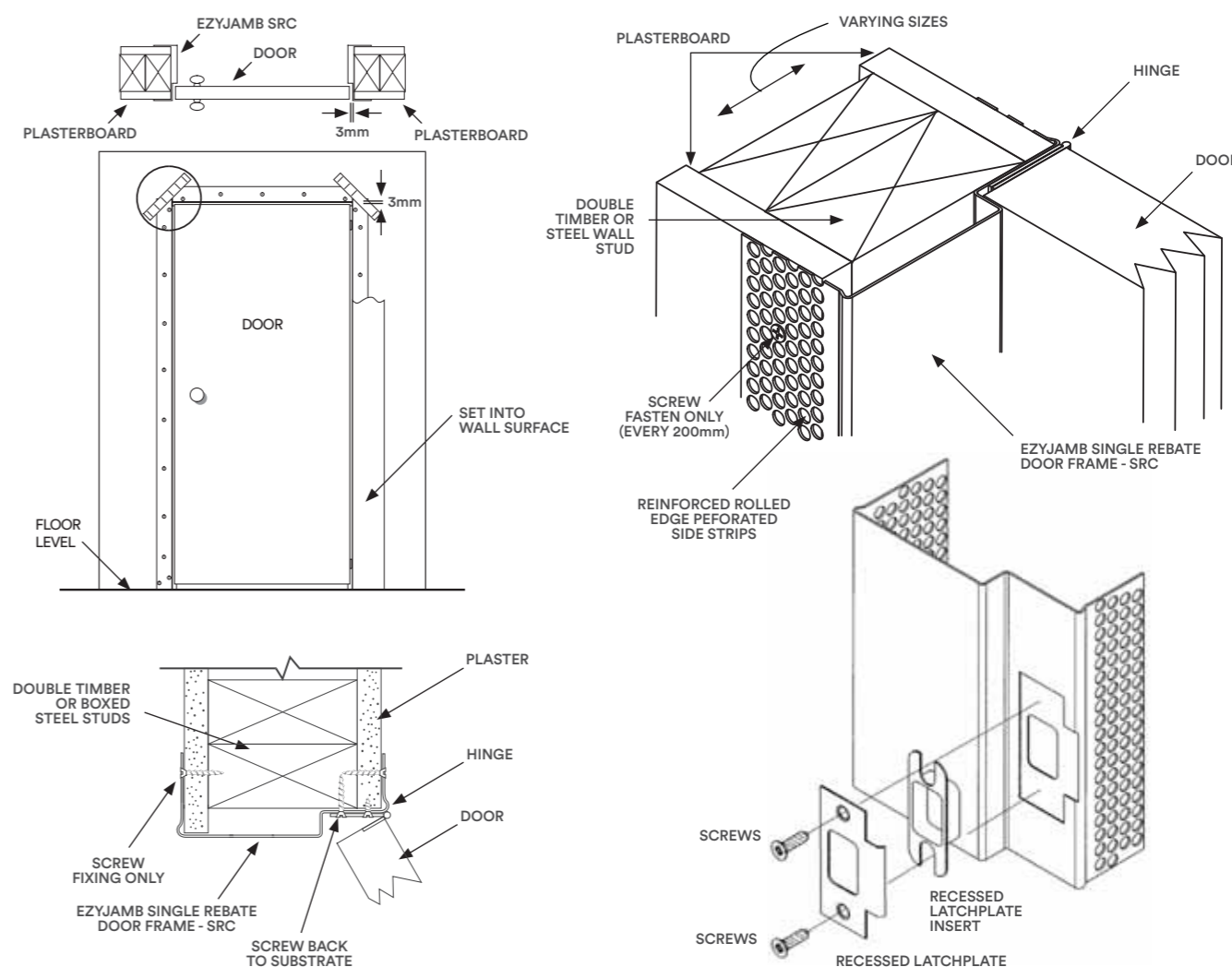
Availability

Lead times apply to all EzyJamb orders. Typical lead time from date of order to delivery is fifteen (15) working days.

Floor to Ceiling Doors

Floor to ceiling doors require no header jamb as the door extends to the total height of the wall, when framing for this type of application allow the ceiling framing and plasterboard to carry on through to the adjacent space.

Door Opening Preparation



Step 1

Ensure that the stud opening is square and level and measures:

Stud opening sizes for Herline /Liftoff Hinges

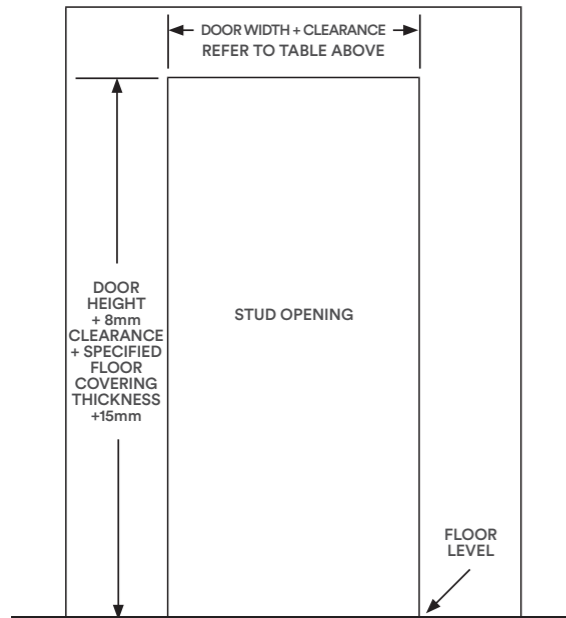
Width Single Door	Door Width +25mm Clearance
Width Double Door	Door Width +28mm Clearance
Height	Door Height + 8mm Clearance +Specified Floor Covering Thickness +15mm

Stud opening sizes for RY-60 Concealed Hinges

Width Single Door	Door Width +40mm Clearance
Width Double Door	Door Width +63mm Clearance
Height	Door Height + 8mm Clearance +Specified Floor Covering Thickness +15mm

**depending on floor clearance. Check with the Project Manager on site to confirm floor coverings.*

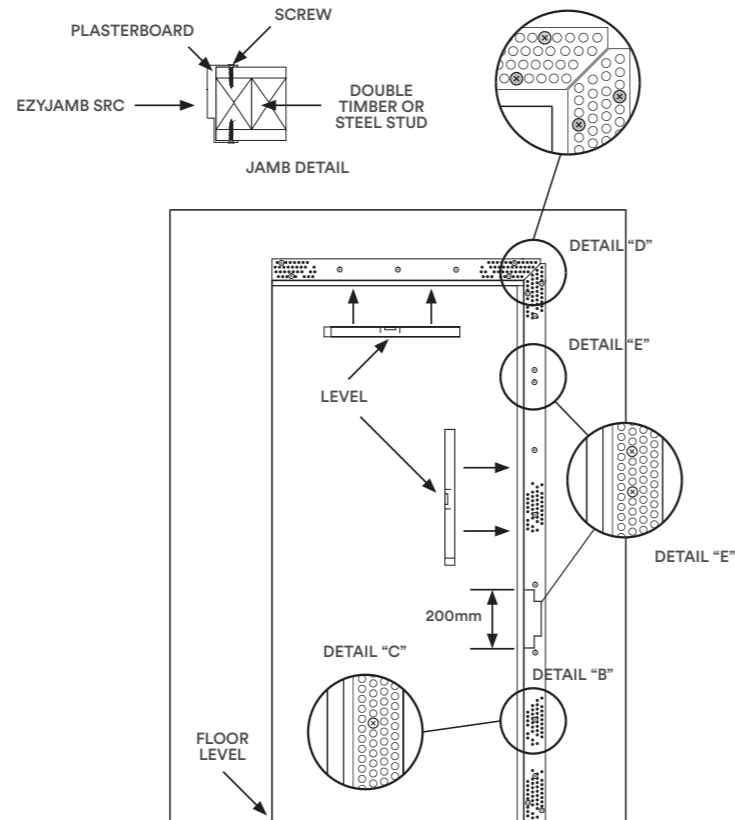
i Make sure the frame opening has double studs, it is strongly recommended to use timber studs or a minimum 0.75 BMT metal stud on both sides of the opening.



Step 2

Fasten hinge side first, making sure jamb is level and as tight against stud opening as possible. Then screw at 200mm centers up stile, screwing back through plasterboard into stud work See *Detail 'B'* and *'C'*.

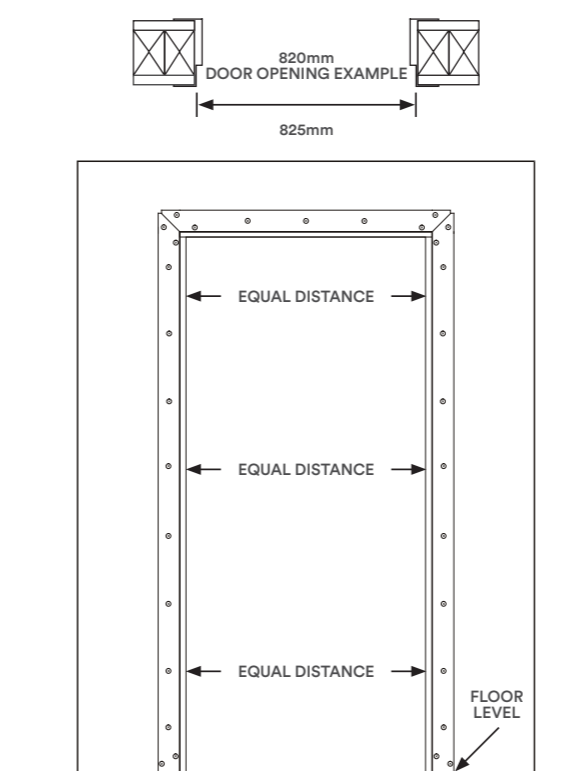
Double screw all ends as *Detail D*. and beside hinge position - both above and below hinge as *Detail E*.



Step 3

Fasten the final vertical section (strike jamb) below the head section. Ensure that the spacing between the two vertical sections are spaced evenly at the required distance.

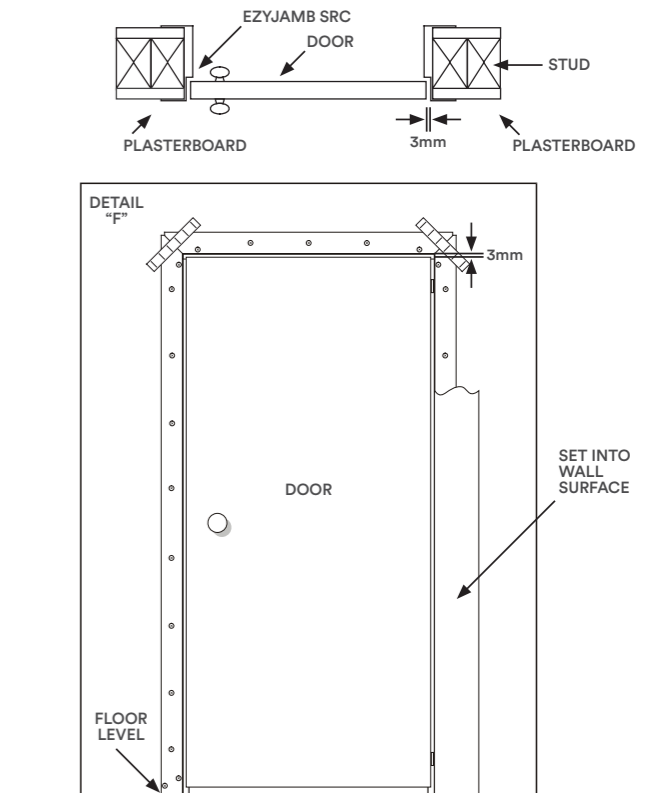
ie: 820mm door, opening is 825mm
 720mm door, opening is 725mm



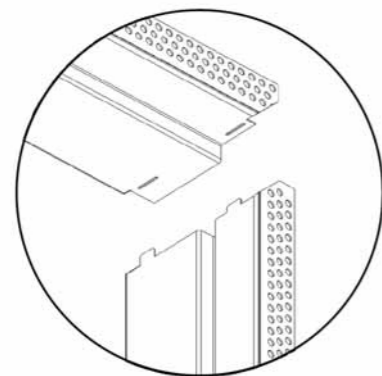
Step 4

Ensure the perforated side strips sit flat against the plasterboard to enable the jamb sections to be easily set into the wall surface. **All the corners must be taped and plastered/jointed in as Detail F.** Finish the jamb with approved plaster/jointing compound.

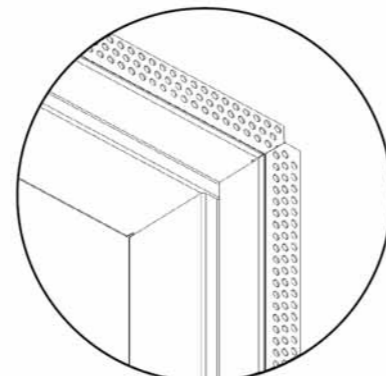
Hang the door in position leaving about 3mm clearance from the top and the hinged side using the EzyJamb Standard or Concealed Hinges. Surface mount the striker plate into position to align with the latch plate punching.



Step 2A | Head Installation



Locate fixing tabs to header.



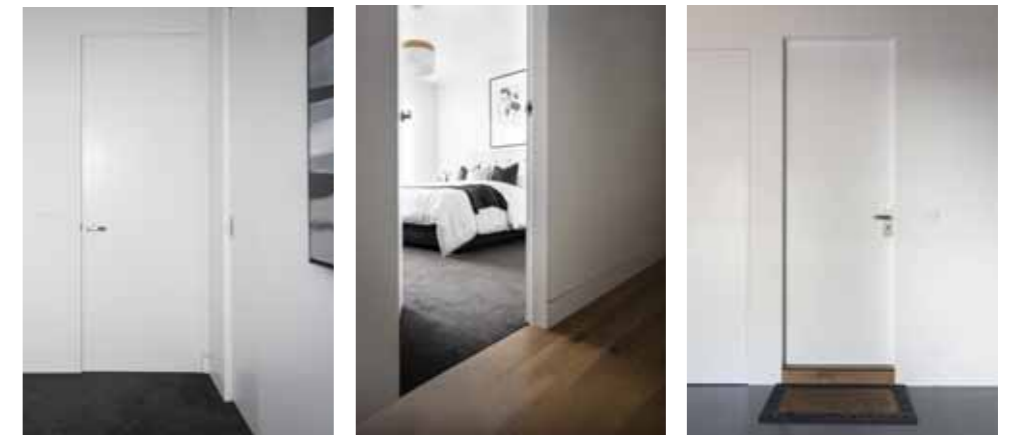
Corner Detail Completed

Completed Installation

The completed jamb is flush finished and can be painted in with the whole wall area to fully conceal any fixing, achieving simple clean lines around the door face.

For further information or assistance in installation of EzyJamb products, please visit:

www.ezconcept.com.au/installation

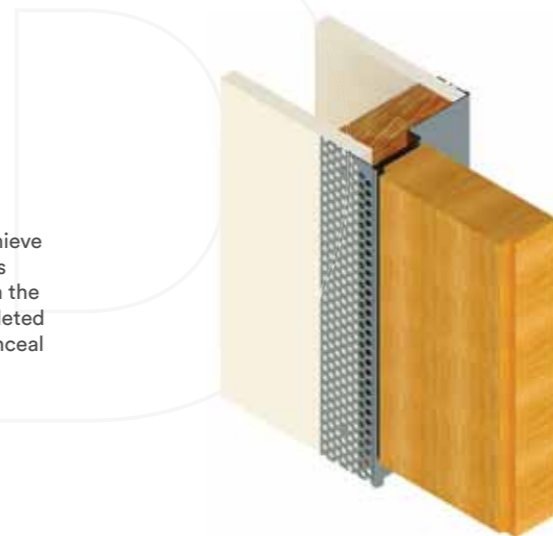




EzyJamb

ISD | Inswing Door Frame

EzyJamb Inswing Door - ISD is the ultimate door jamb system to achieve a seamless look in hallways and corridors. The EzyJamb ISD frame is suitable for applications that require the door to open inwardly from the flush side of the door, for a clean line along the wall face. The completed jamb is flush finished and can be painted in with the wall to fully conceal any fixing and is available with various hinge options.

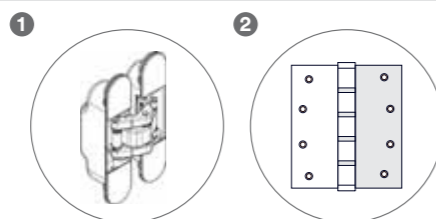


Specification Details

EZYJAMB ISD INSWING DOOR FRAME - FOR 45MM OR 57MM DOORS

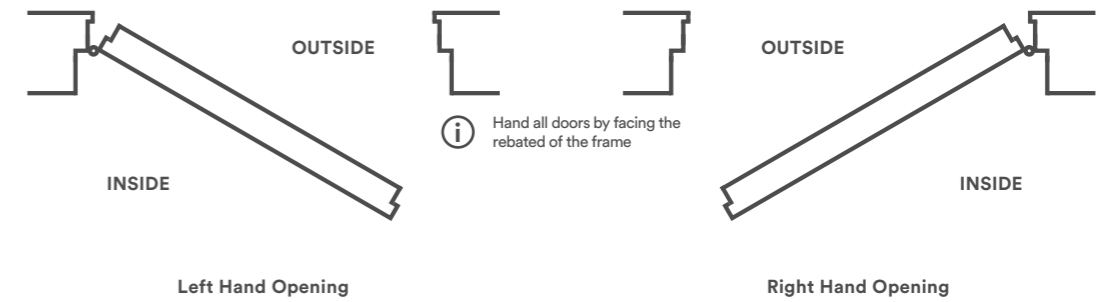
Door Height	2040mm, 2340 Standard	(Custom Sizes available on request)
Door Widths	420 - 1020mm	(Custom sizes available on request)
Door Thickness	45mm or 57mm	
Finished Wall Thickness	80 - 220mm	(Including Plaster)
Latch Plate Height	1020mm (Centre line from base of door frame)	(Custom measurement available upon request)

- Hinge Options
- 1 Concealed Hinges
 - 2 Mortice Hinges



Hinge datasheet available separately.

Door Handing



Completed Installation

The completed jamb is flush finished and can be painted in with the whole wall area to fully conceal any fixing, achieving simple clean lines around the door face.

For further information or assistance in installation of EzyJamb products, please visit:

www.ezconcept.com.au/installation



Door Opening Preparation

Ensure that the stud opening is square and level and measures:

Stud opening sizes for RY-60 Concealed Hinges

Width Single Door	Door Width +40mm Clearance
Width Double Door	Door Width +63mm Clearance
Height	Door Height +30mm +Floor Coverings

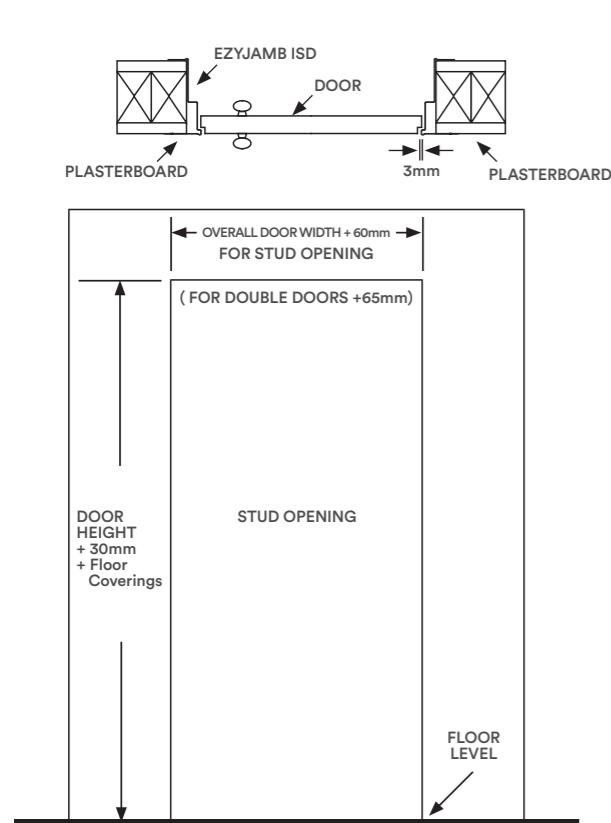
**depending on floor clearance. Check with the Project Manager on site to confirm floor coverings.*

Step 1

Ensure that the structural opening is square and level and is the correct size.

Make sure the stud frame opening has double studs, the manufacturer strongly recommends timber studs or a minimum .75mm metal studs on both sides of the opening.

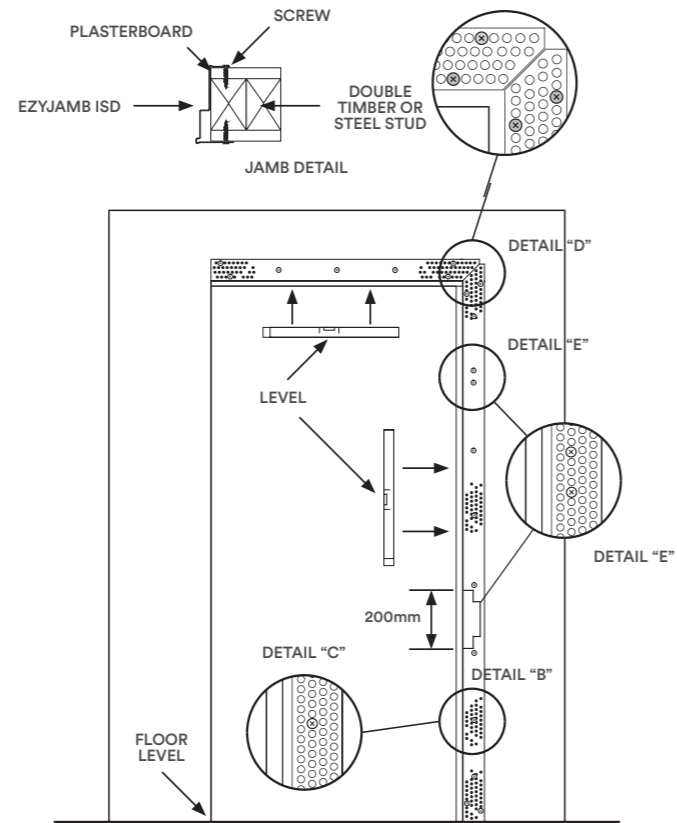
i When using concealed hinges, the stud must be **notched** at each hinge location to ensure proper fitment.



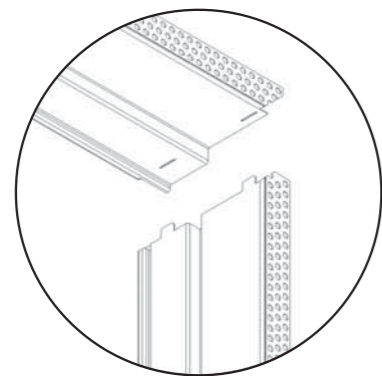
Step 2

Fasten hinge side first, making sure jamb is level and as tight against stud opening as possible. Then screw at 200mm centers up stile, screwing back through plasterboard into stud work See Detail 'B' and 'C'.

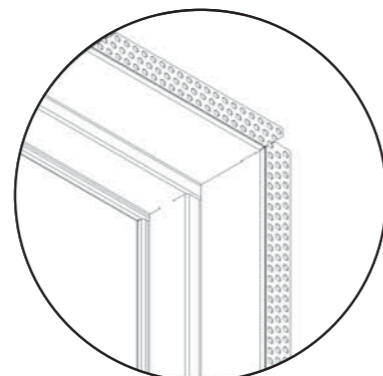
Double screw all ends as Detail D. and beside hinge position - both above and below hinge as Detail E.



Step 2A | Head Installation



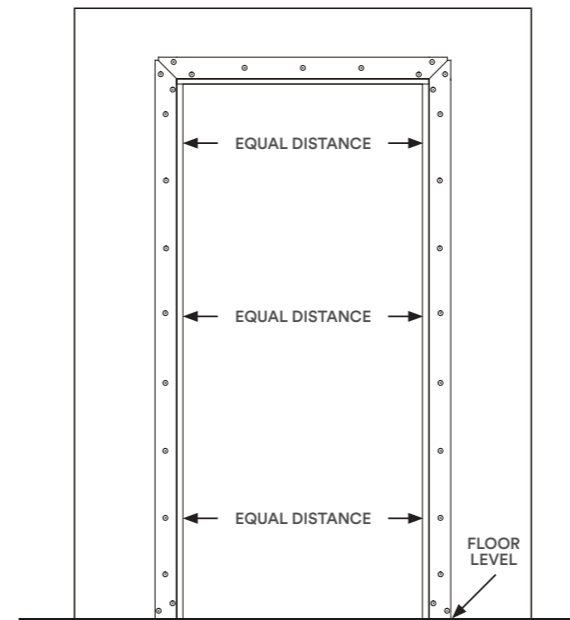
Locate fixing tabs to header.



Corner Detail Completed

Step 3

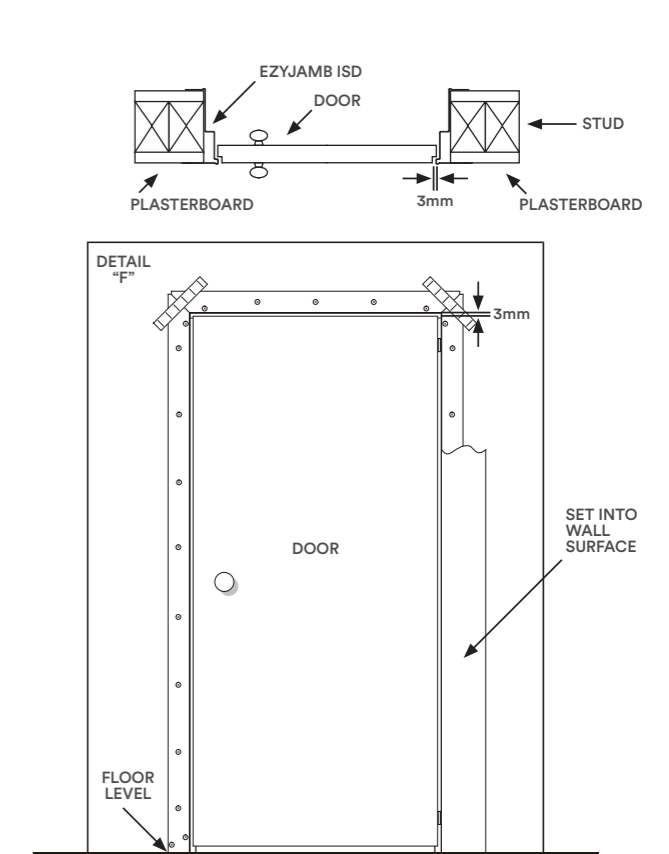
Fasten the final vertical section (strike jamb) below the head section. Ensure that the spacing between the two vertical sections are spaced evenly at the required distance.



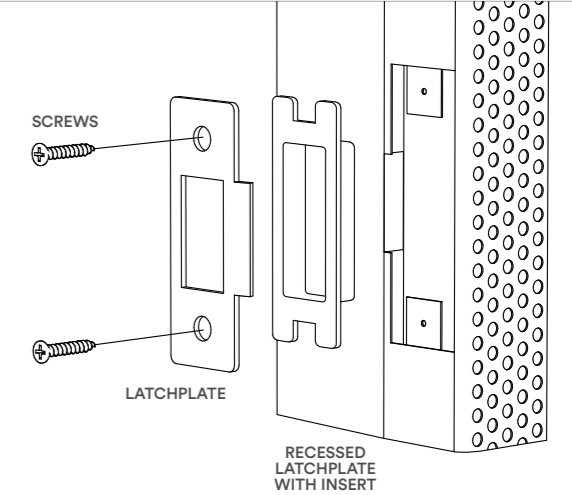
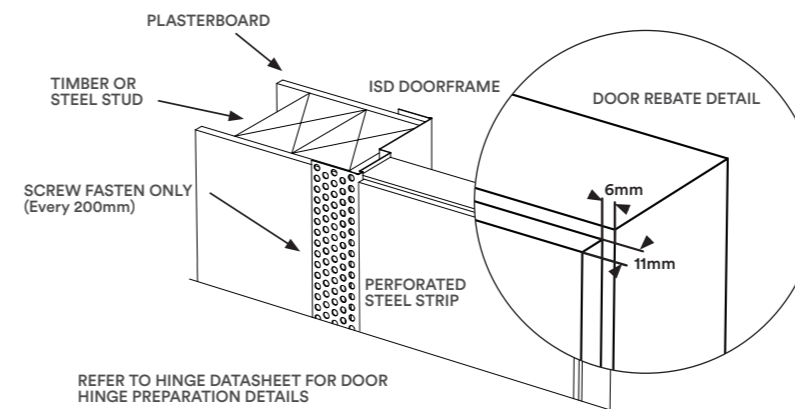
Step 4

Ensure the perforated side strips sit flat against the plasterboard to enable the jamb sections to be easily set into the wall surface. **All the corners must be taped and plastered/jointed in as Detail F.** Finish the jamb with approved plaster/jointing compound.

Hang the door in position leaving about 3mm clearance from the top and the hinged side using the Mortice or Concealed Hinges. Surface mount the striker plate into position to align with the latch plate punching.



Door Rebate and Latch Plate Detail





RocYork

Door Hardware

Designed to complement the EzyJamb door jamb systems; RocYork® hinges are made from high quality stainless steel and can be utilised for various applications to complete your design story.

Surface Mounted Hinges



RocYork Herline Hinge

EJHINSS-LH/RH

Specially designed and manufactured to partner with the EzyJamb door jamb systems, the loose pin RocYork Herline Hinges are surface mounted with self-tapping screws, making them easy to install.

Finish	Stainless Steel Black
--------	--------------------------



RocYork Lift-off Hinge

EJHINSS-LIFT

For greater flexibility, the RocYork Lift-off hinges are ideal for doors that require a service gap, such as apartment bathrooms, as they can quickly be lifted and removed without the need for unscrewing the hinge; saving time in an emergency.

Finish	Stainless Steel Black
--------	--------------------------



RocYork 100mm Mortice Hinge

RY4312SS

Specially designed and manufactured to partner with the EzyJamb door jamb systems, the ball bearing, fixed pin, RocYork mortice hinge is designed to keep the knuckle closer to the wall than traditional mortice hinges.

Finish	Stainless Steel
--------	-----------------



RocYork 114mm Mortice Hinge

Specially designed and manufactured to partner with the EzyJamb door jamb systems, the ball bearing, fixed pin, RocYork mortice hinge is designed to keep the knuckle closer to the wall than traditional mortice hinges. This model is designed to be paired with heavier duty doors as it bears heavier weighting.

Finish	Stainless Steel
--------	-----------------

Concealed Hinges



RocYork RY60 Concealed Hinge

EJHIN-RY60

Adjustable on three axis for the perfect fit and with the ability to be used on right or left handing doors, the concealed hinges will help deliver minimalistic detail that sets your project apart.

Finish	Stainless Steel Black White
Capacity	60kg - 2 x RY60 Hinges 76kg - 3 x RY60 Hinges
Min Door Thickness	35mm



RocYork RY80 Concealed Hinge

EJHIN-RY80-SC/BF

Finish	Stainless Steel
Capacity	80kg - 2 x RY80 Hinges 103kg - 3 x RY80 Hinges
Min Door Thickness	35mm

Concealed

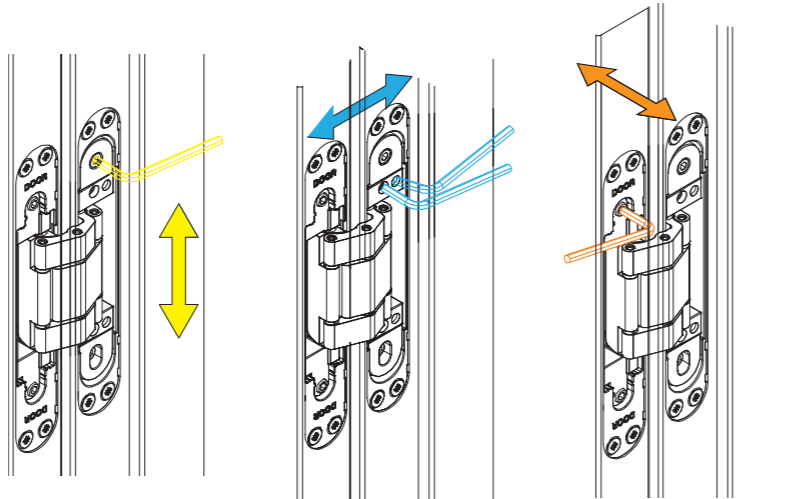
RocYork Concealed Hinges

Make your door hinges disappear with the all new RocYork concealed door hinge from EzyJamb. This revolutionary architectural breakthrough will allow uninterrupted clean lines around internal doors for the ultimate square-set interior.

Check out some of the features and benefits of the RocYork concealed door hinge from EzyJamb.

Features

- No visible barrel or pin
- Maintenance free bearing mechanism
- Aesthetically pleasing hinge covers



Hardware Accessories



EzyJamb Latchplate

EJLATCH-SS

Finish: Stainless Steel



EzyJamb Latchplate Insert

EJINSERT

Finish: Black Polyurethane

QuickShip

PROGRAM

Receive faster delivery with the EzyJamb QuickShip Program.

As part of our QuickShip Program, selected stock sizes of EzyJamb Classic Adjust - EZC frames and CavKit Cavity Slider Trim Kits are now available for dispatch in just 48 hours from receipt of order.

EzyJamb

- Latch Height = 1020mm
- All frames include Stainless Steel Herline hinges, a latchplate & screws.
- All Quickship items ready for shipment in 48 hours, quantity restrictions may apply.
- If your door sizes differ from the dimensions above please contact Studco for pricing.
- Lead times apply for all custom orders & will be advised by Studco upon receipt of order.
- Please contact Studco for any project specific pricing.



EzyJamb | Suits 35mm Doors - 106mm-116mm Wall

Part No.	Door Size	Door Thickness	Wall Thickness	Hand	Hinge	Hinge Qty
EJQS-2040820-D35-106/116-LHST	2040X820	35mm	106-116mm	LH	STD	2
EJQS-2040820-D35-106/116-RHST	2040X820	35mm	106-116mm	RH	STD	2
EJQS-2040720-D35-106/116-LHST	2040X720	35mm	106-116mm	LH	STD	2
EJQS-2040720-D35-106/116-RHST	2040X720	35mm	106-116mm	RH	STD	2
EJQS-2340820-D35-106/116-LHST	2340X820	35mm	106-116mm	LH	STD	3
EJQS-2340820-D35-106/116-RHST	2340X820	35mm	106-116mm	RH	STD	3
EJQS-2340720-D35-106/116-LHST	2340X720	35mm	106-116mm	LH	STD	3
EJQS-2340720-D35-106/116-RHST	2340X720	35mm	106-116mm	RH	STD	3

EzyJamb | Suits 35mm Doors - 81mm-91mm Wall

Part No.	Door Size	Door Thickness	Wall Thickness	Hand	Hinge	Hinge Qty
EJQS-2040820-D35-81/91-LHST	2040X820	35mm	81-91mm	LH	STD	2
EJQS-2040820-D35-81/91-RHST	2040X820	35mm	81-91mm	RH	STD	2
EJQS-2040720-D35-81/91-LHST	2040X720	35mm	81-91mm	LH	STD	2
EJQS-2040720-D35-81/91-RHST	2040X720	35mm	81-91mm	RH	STD	2

EzyJamb | Suits 38mm Doors - 110mm-120mm Wall

Part No.	Door Size	Door Thickness	Wall Thickness	Hand	Hinge	Hinge Qty
EJQS-2040820-D38-110/120-LHST	2040X820	38mm	110-120mm	LH	STD	2
EJQS-2040820-D38-110/120-RHST	2040X820	38mm	110-120mm	RH	STD	2
EJQS-2340820-D38-110/120-LHST	2340X720	38mm	110-120mm	LH	STD	3
EJQS-2340820-D38-110/120-RHST	2340X720	38mm	110-120mm	RH	STD	3

EzyJamb | Suits 38mm Doors - 85mm-95mm Wall

Part No.	Door Size	Door Thickness	Wall Thickness	Hand	Hinge	Hinge Qty
EJQS-2340820-D38-85/95-LHST	2340X820	38mm	85-95mm	LH	STD	3
EJQS-2340820-D38-85/95-RHST	2340X820	38mm	85-95mm	RH	STD	3

Completed Installation

The hinge is entirely concealed upon door closure. With no protruding elements, achieving simple clean lines around the door face.

For further information or assistance in installation of RocYork products, please visit:

www.ezconcept.com.au/installation





CavKit

Trims to suit cavity sliders

Transform standard cavity sliders into architrave-free cavity sliders with CavKit®; a flush finish system that trims and caps the plasterboard edges around the door penetration to transform a cavity slider that can be hidden when open and provide privacy when closed.



Specification Detail

CAVKIT FLUSH FINISH CAVITY SLIDER TRIM KIT#		ITEMS INCLUDED IN KIT
Door Height	2040mm / 2340mm	1x Closer Cap to Suit Height
Door Widths	720 - 920mm	2x EzyReveal to Suit Height* 2x EzyReveals to Suit Width*
Finished Wall Thickness	77/84/90/96/102/110/116/124	(Specify Door Width and Finished Wall Thickness)

* Custom RLA reveals with returns available on request.

Cavity Slider unit not included with trim kit. Refer to SlideSet on page 20.

QuickShip

PROGRAM

Receive faster delivery with the EzyJamb QuickShip Program.

- All slider trims are supplied with a rebated closer cap to suit 110-112mm walls & 35/38mm doors.
- All Quickship items ready for shipment in 48 hours, quantity restrictions may apply.
- If your door sizes differ from the dimensions above please contact Studco for pricing.
- Lead times apply for all custom orders & will be advised by Studco upon receipt of order.
- Please contact Studco for any project specific pricing.

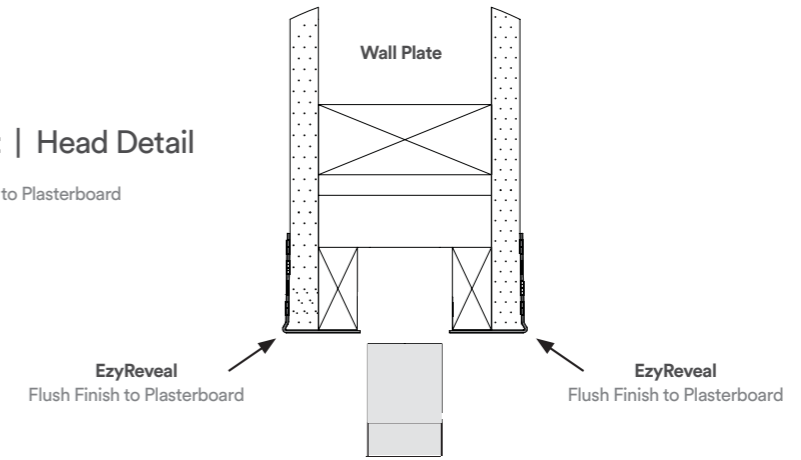
CavKit | Cavity Slider Trim Kit

Part No.	Door Size	Door Thickness	Wall Thickness
CCQS-2040720-D38-W112	2040X720	35/38mm	112mm
CCQS-2040820-D38-W112	2040X820	35/38mm	112mm
CCQS-2340720-D38-W112	2340X720	35/38mm	112mm
CCQS-2340820-D38-W112	2340X820	35/38mm	112mm

Installation Detail

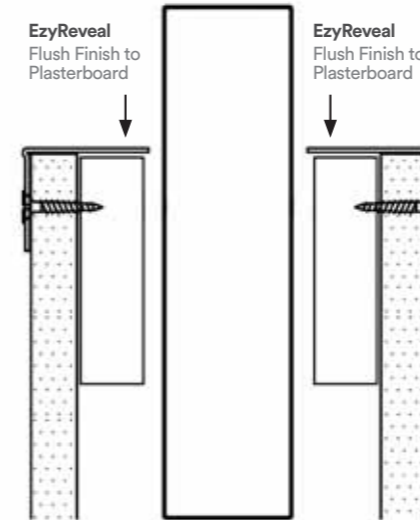
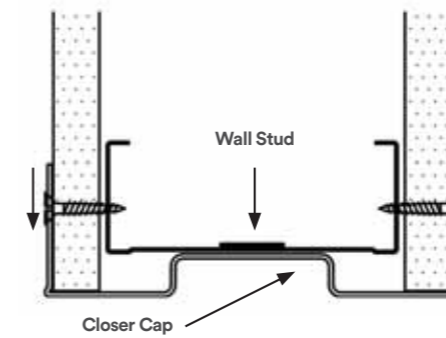
CavKit | Head Detail

EzyReveal
Flush Finish to Plasterboard



CavKit | Plan View

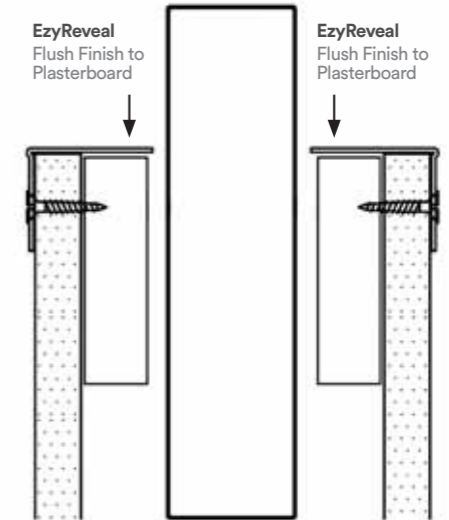
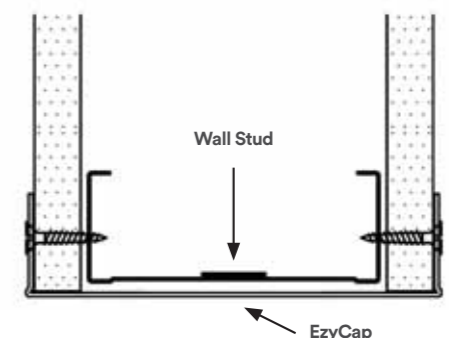
CavKit with Closer Cap as Standard



Standard Closer Cap

CavKit | Plan View

CavKit with EzyCap upon request



Optional EzyCap



SlideSet

The Flush Finish Cavity Slider Solution

Create fluidity between rooms with SlideSet®; the flush finish cavity slider system that gives the ability to completely conceal the door and give the impression that the door does not exist when open and complete privacy when closed.

The full height detail is designed to allow the underside of the track to be flush with the ceiling, providing a smooth continuous flow from room to room.

SlideSet Features

- Hardware concealed in door providing minimum gap between door/track
- Mounting plates allow for 'lift-up' installation
- Stoppers with retention device installed inside track will retain door
- Ball bearing high quality rollers and aluminium track will retain door

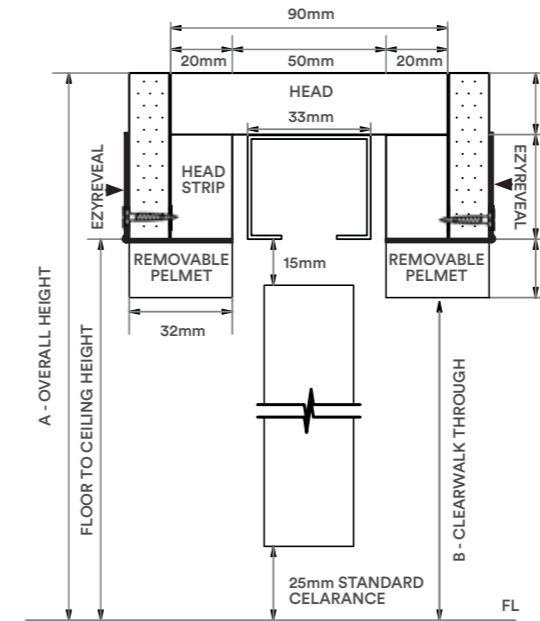
Specification Detail

EZ CONCEPT CAVITY SLIDER SYSTEM

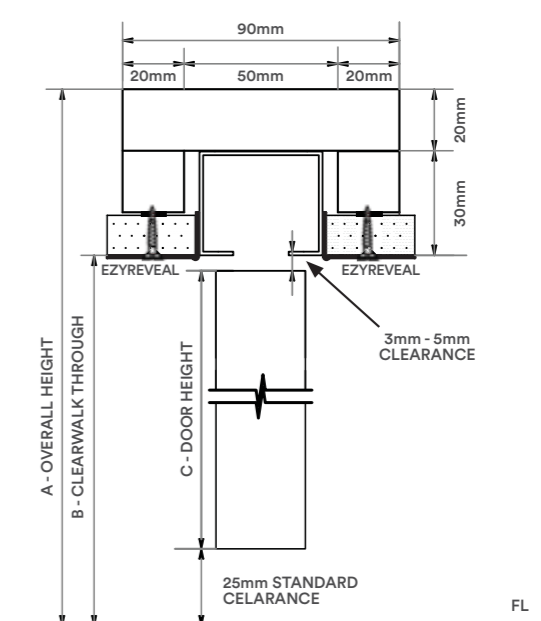
Door Height	2040mm, 2340mm	(Custom Sizes available on request)
Door Widths	520mm - 1220mm	(Single & Double available)
Door Thickness	35mm - 38mm	(Custom Sizes available on request)
Door Weights	80/120kg	(Custom Weights available on request)
Head Options	Standard / Full Height	

Installation Detail

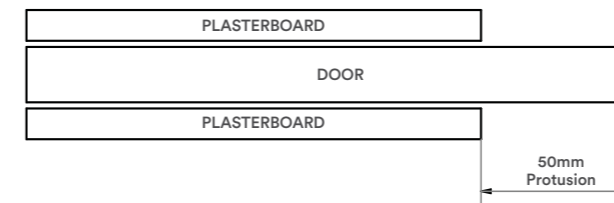
Standard Head Detail



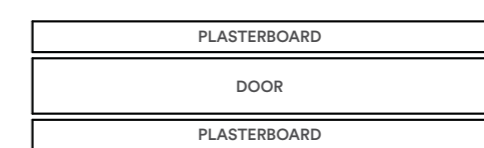
Full Height Head Detail



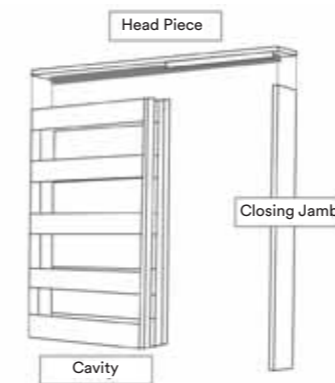
Door Opening Flush Pull Detail



Door Opening Flush Jamb Detail



Installation Instructions



Standard Height Detail

1. Unwrap and separate Cavity, Head Piece and Closing Jamb.
2. Attach Head Piece to the Cavity and the Closing Jamb and fix to studs.
3. Align the Cavity to the wall line and fix through metal base plate.
* Note: Due to the variety of floor types, plate fixings are not supplied.
4. Fix the hanger plate to the top of the door with the centre of the plate being 125mm from the door's edge.
5. If you have requested a 'T' Guide, fix to floor and insert a groove 20mm deep and 5mm wide into the base of your door.
6. Make sure that the door fits.
1. Insert the back hanger into the track
2. Slide along the Track
3. Insert the Front Hanger
4. Make sure the door moves freely and goes into the pocket.
* Note: At this time the door can be removed whilst the linings and finishing touches are made. Door can be refitted at a later time and the remaining steps can be completed.
7. Adjust the Hangers so the door closes flush against the Closing Jamb without any gaps.
8. Position the Pelmet and screw into place. Pelmet must be fitted before architraves. Do not fix architraves to pelmet.
9. If using the standard Door Guide, fit to Split Jamb and adjust for smooth operation.

Full Height Detail

1. Unwrap and separate Cavity, Head Piece and Closing Jamb.
2. Attach Head Piece to the Cavity and the Closing Jamb and fix to studs.
3. Align the Cavity to the wall line fix through metal base plate.
* Note: Due to the variety of floor types, plate fixings are not supplied.
4. Fix the hanger plate to the top of the door as per the diagram at right.
5. Unscrew 110mm piece of track.
6. If you have requested a 'T' Guide, fix to floor and insert a groove 20mm deep and 5mm wide into the base of your door.
7. Make sure that the door fits.
1. Insert the back hanger into the track
2. Slide along the Track
3. Insert the Front Hanger
4. Make sure the door moves freely and goes into the pocket.
* Note: At this time the door can be removed whilst the linings and finishing touches are made. Door can be refitted at a later time and the remaining steps can be completed.
8. With the door fitted, re-attach the 110mm piece of Track and screw in place.
9. Tighten the Screws in the exposed end of the track.
* Note: Do not tighten the screws concealed in the pocket.
10. Adjust the Hangers so the door closes flush against the Closing Jamb without any gaps.
11. If using a standard Door Guide, fit to Split Jamb and adjust for smooth operation.



AccessDor

Custom Access Panels

AccessDor® cleverly conceals the appearance of the access panel by creating a flush finish to the plasterboard and eliminating the need for trims and architraves around the door. AccessDor blends seamlessly into the wall or ceiling, resulting in a frameless access panel.

AccessDor can be custom made to fit your specifications. AccessDor Access Panels are flush finished to the wall, with only a 3mm reveal between the door and wall and a discrete cam latch to inconspicuously blend into its surroundings.



Specification Details

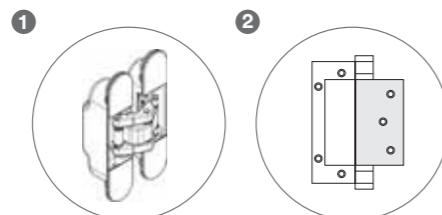
ACCESSDOR CUSTOM ACCESS PANELS

Max Frame Width 932mm (Single) 1864mm (Double)

Max Frame Height 2450mm

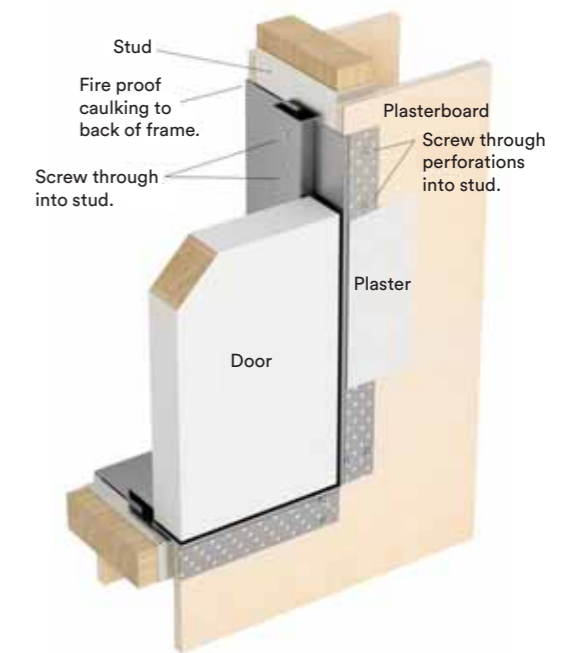
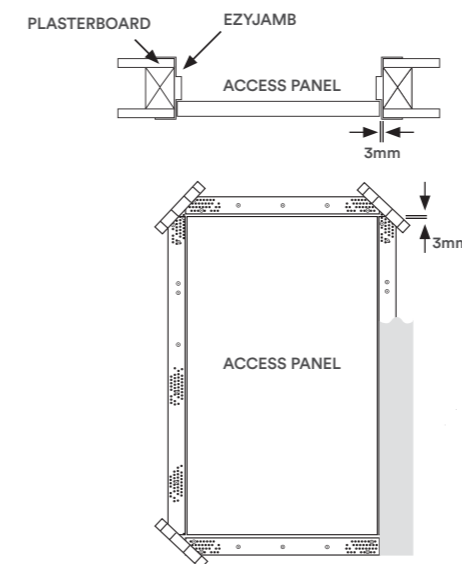
- Options
- Available with a single piece or split piece jamb
 - Acoustic ratings available on selected products
 - Single or double access panel options available

- Hinge Options
- 1 Concealed Hinges
 - 2 Herline Hinges

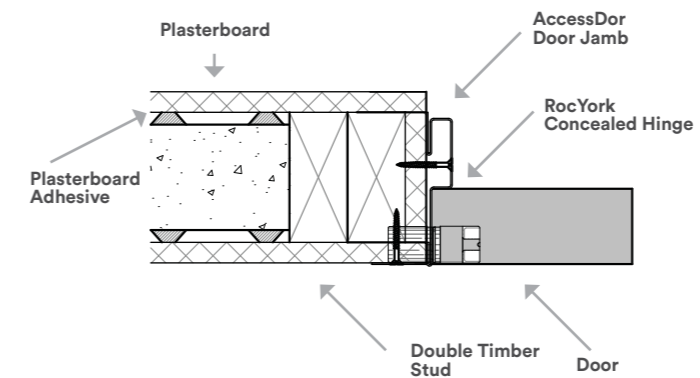


i Door and Hardware Sold Separately

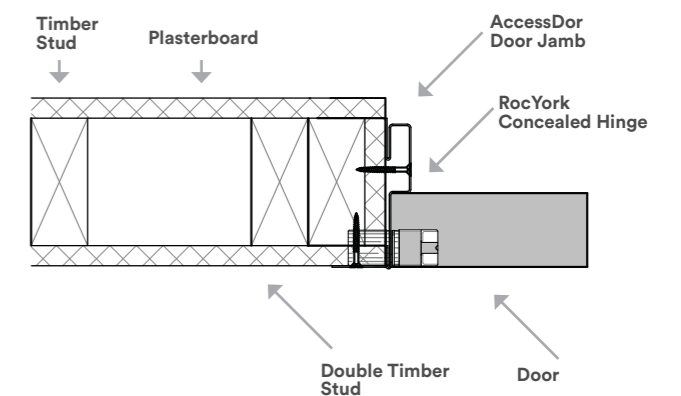
Installation Detail



Masonry Wall Details



Timber Stud Details



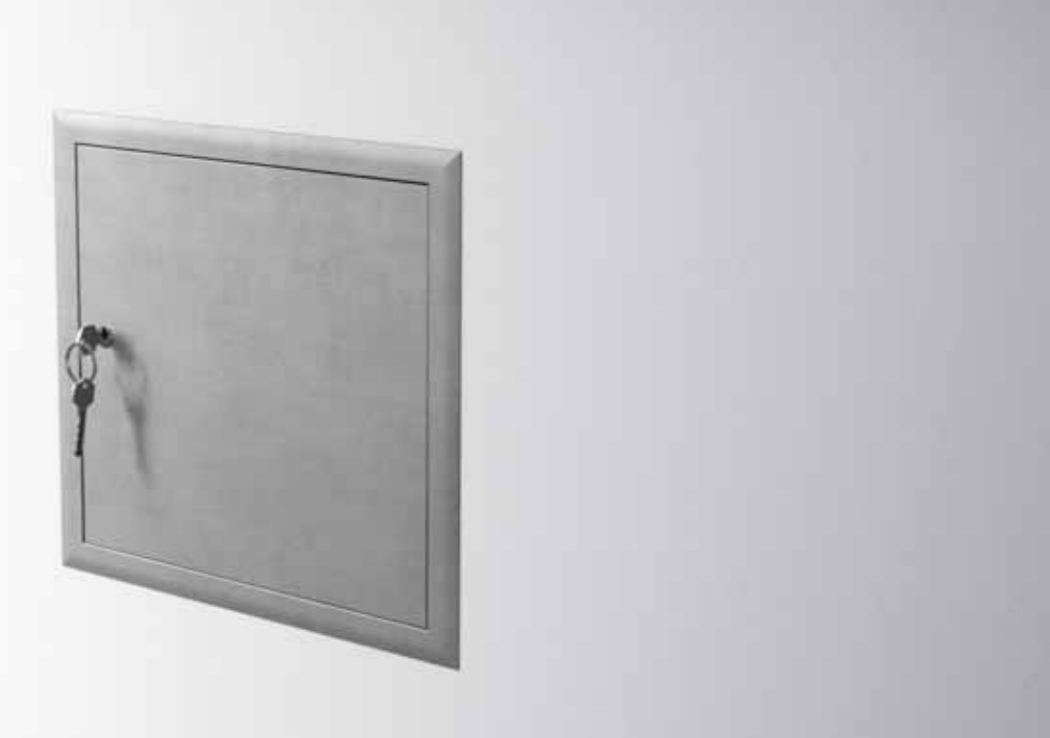
Completed Installation

The AccessDor forms a seamless frame around the access panels for an inconspicuous finish.

For further information or assistance in installation of AccessDor products, please visit:

www.ezconcept.com.au/installation





AccessDor

Standard Access Panels

EZ Concept offer a range of access panels with picture frame or beaded frame options to suit various installation purposes, acoustic ratings and fire rating requirements. AccessDor Standard Panels are suitable for wall and ceiling applications and come with a variety of locking mechanism options to meet your security requirements.

Product Features

- Standard sizes available to fit your project needs.
- Various latch options to suit your security requirements.
- A selection of picture frame options are available (Set Bead or Flange)

Frame Options



Set Bead



Flange

Locking Options



Budget Lock

Access panels available with budget lock. Does not require any special tools to open.



Key Lock

Access panels available with a key lock for added security. A number of panels can be keyed alike.



Touch Latch

Access panels available with a Touch Latch, providing a clean finish. Simply press the door to open.

Completed Installation

AccessDor Standard Access Panels suit a wide range of requirements whilst completing a minimalist interior look.

For further information or assistance in installation of AccessDor products, please visit:

www.ezconcept.com.au/installation



Product

Finishing



EzyPelmet

Fast, Economical Recessed Window Pelmet Systems

Adding a new dimension to the internal perimeter of square-set interiors, EzyPelmet® is a two-piece steel pelmet system that makes window blinds disappear, cleverly conceals feature lighting and opens vast panoramas before your eyes. EzyPelmet offers a simple and discrete transition between the interior ceiling and external windows, curtain wall facades or the building structure.

The two-piece, pre-finished steel construction of EzyPelmet makes installation simple, compared to traditional pelmet systems that require time consuming construction methods.

EzyPelmet Features

- Contemporary, clearview design.
- Completely concealed fixings.
- Install from below after ceiling.
- Flush-finish edge for square-set interiors.
- Does not require fixing from the top.
- Fastest method for creating window pelmets.
- Suitable for blinds, curtain, lights & more.

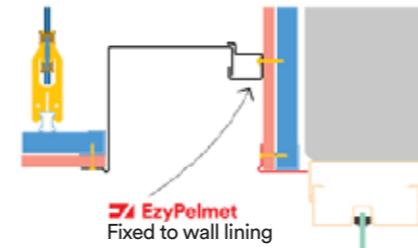
Specification Detail

PART NO.	DESCRIPTION	LENGTH	
EP150W-30	EzyPelmet 150mm x 0.8mm - White	3000mm	(Custom Sizes Available)
EPT40W-30	EzyPelmet Wall Track - White	3000mm	(Custom Sizes Available)
EP150Z-30	EzyPelmet 150mm x 0.8mm - Zinc	3000mm	(Custom Sizes Available)
EPT40Z-30	EzyPelmet Wall Track - Zinc	3000mm	(Custom Sizes Available)
EP15003W	EzyPelmet End Cap - White		
EP15003Z	EzyPelmet End Cap - Zinc		
EP15004	EzyPelmet Main Joiner		
EP15005	EzyPelmet Wall Track Joiner		

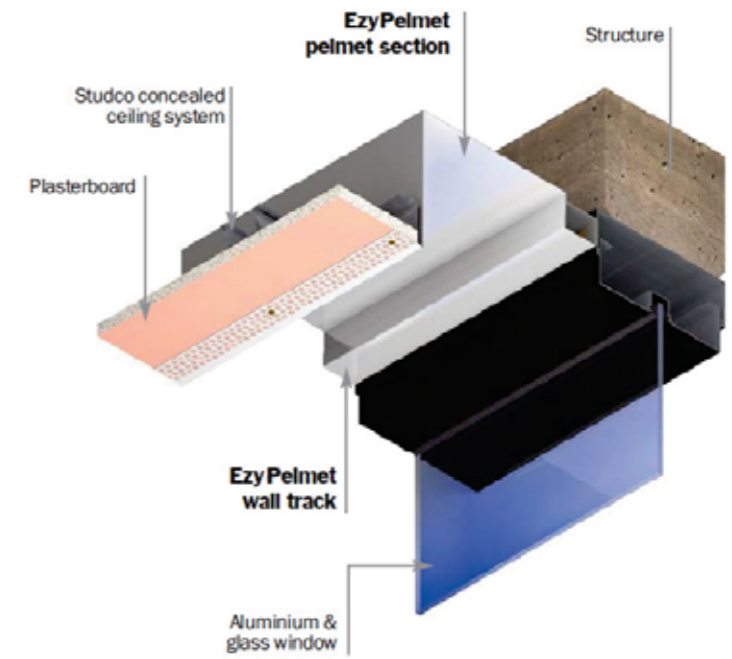
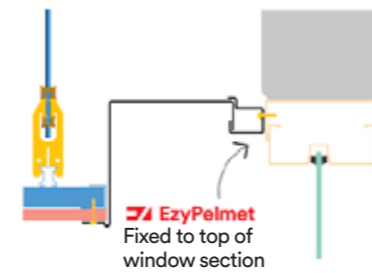


Installation Detail

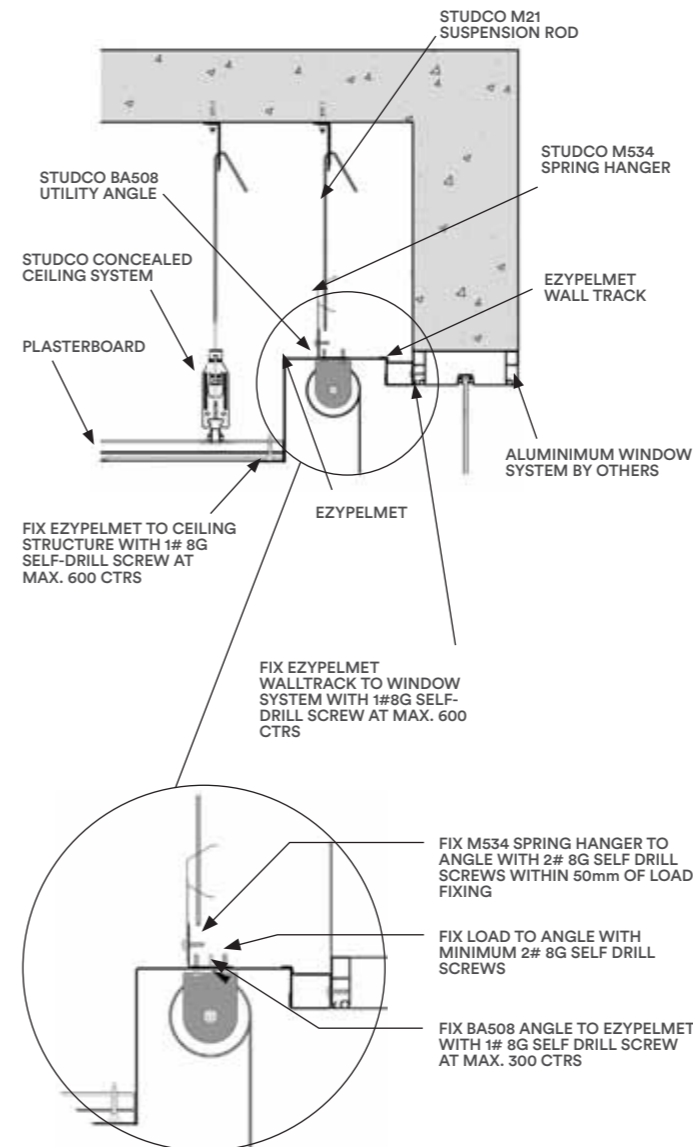
Wall Mount Installation Method



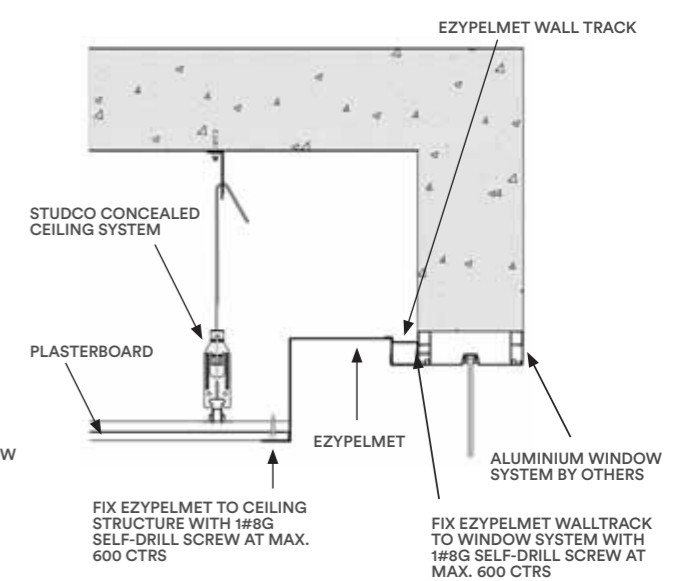
Clearview Installation Method



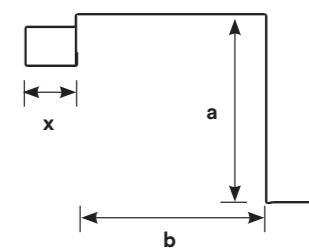
Load Bearing Fixing Detail



Standard Fixing Detail



Custom Pelmets



Custom size pelmets are available, please specify sizes when ordering.

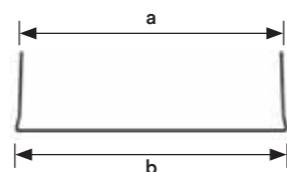


EzyCap

The Strong and Versatile Stop End

Capping of internal balustrades, window openings and internal partition wall ends are all made easy using EzyCap®. Using a slip-fit fixing method, EzyCap simply slides onto the end of the plasterboard and doesn't require preparation to paint in with the rest of the wall, significantly reducing time and effort during installation and presenting a crisp finished wall end.

As the strong and versatile alternative for stop ends, EzyCap is an economical way to cap wall ends and prevent damage from wear and tear in high traffic areas over time, keeping masterpiece designs intact for years to come. Available as Standard Cap or with Shadowline detail.



Specification Detail

Part No.	Section Width a	Section Width b	Stud/ Lining Thickness	Length mm
EC79	79mm	84mm	51 Stud + 13 + 13	2700 / 3000 / 3600#
EC86	86mm	91mm	64 Stud + 10 + 10	2700 / 3000 / 3600#
EC92	92mm	97mm	64 Stud + 13 + 13	2700 / 3000 / 3600#
EC98	98mm	103mm	76 Stud + 10 + 10	2700 / 3000 / 3600#
EC104	104mm	107mm	76 Stud + 13 + 13	2700 / 3000 / 3600#
EC112	112mm	116mm	92/90 Stud + 10 + 10	2700 / 3000 / 3600#
EC118	118mm	125mm	92/90 Stud + 13 + 13	2700 / 3000 / 3600#
EC127	127mm	132mm	92 Stud + 16 + 16	2700 / 3000 / 3600#

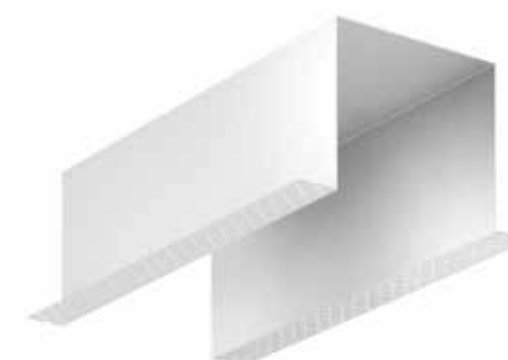
3600 length available on special request.

FastCap

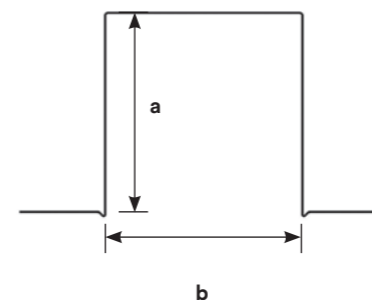
Custom Rebates and Capping Made Easy

Inspired ceiling designs command attention using Fastcap®; this innovative solution easily inserts between two sections of plasterboard to make light work of difficult rebates, plasterboard profiles and large oversized shadowlines.

Ideal for recessing feature lighting or hardware, custom finishing and capping of plasterboard is made easy with the FastCap range of custom made finishing sections.

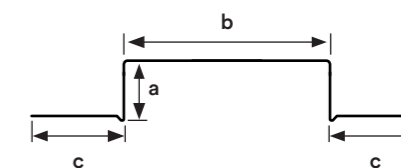


Custom FastCap



Custom size FastCap profile. Please specify sizes when ordering.

Shallow FastCap



Custom size shallow FastCap profile. Please specify sizes when ordering.

Custom Sizes available on request



EzyReveal

Premium Square Set Architrave Free Window Reveals

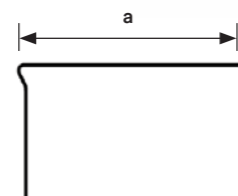
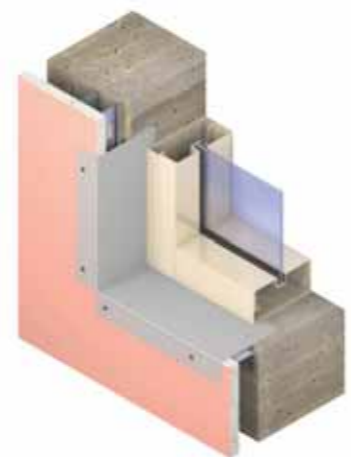
Eliminate architraves and create pure clean lines for square set interiors using EzyReveal®. Manufactured from cold rolled steel EzyReveal® provides a strong and secure reveal eliminating warping, twisting, cracking and damage from UV rays. Installation is simple. The strong and durable metal rollformed EZ Concept sections have pre-punched perforated sides for fixing and have a specially formulated surface finish for a seamless plasterboard connection.

EzyReveal Features

- Designed for quick and economical finishing of reveals from 20mm to 250mm.
- 20 width variants to suit various applications.
- Specially formulated surface finish for seamless connection with plasterboard.
- EzyReveal can be used with PVC finish trim to create custom size reveals.

Specification Detail

Part No.	EzyReveal	'a' Section Width	Length mm
RA20	20mm x 0.8 Reveal Angle	20mm	3000 & 3600
RA25	25mm x 0.8 Reveal Angle	25mm	3000 & 3600
RA30	30mm x 0.8 Reveal Angle	30mm	3000 & 3600
RA35	35mm x 0.8 Reveal Angle	35mm	3000 & 3600
RA40	40mm x 0.8 Reveal Angle	40mm	3000 & 3600
RA45	45mm x 0.8 Reveal Angle	45mm	3000 & 3600
RA50	50mm x 0.8 Reveal Angle	50mm	3000 & 3600
RA60	60mm x 0.8 Reveal Angle	60mm	3000 & 3600
RA65	65mm x 0.8 Reveal Angle	65mm	3000 & 3600
RA75	75mm x 0.8 Reveal Angle	75mm	3000 & 3600



Part No.	EzyReveal	'a' Section Width	Length mm
RA80	80mm x 0.8 Reveal Angle	80mm	3000 & 3600
RA90	90mm x 0.8 Reveal Angle	90mm	3000 & 3600
RA100	100mm x 0.8 Reveal Angle	100mm	3000 & 3600
RA110	110mm x 0.8 Reveal Angle	110mm	3000 & 3600
RA120	120mm x 0.8 Reveal Angle	120mm	3000 & 3600
RA135	135mm x 0.8 Reveal Angle	135mm	3000 & 3600
RA150	150mm x 0.8 Reveal Angle	150mm	3000 & 3600
RA180	180mm x 0.8 Reveal Angle	180mm	3000
RA200	200mm x 0.8 Reveal Angle	200mm	3000
RA250	250mm x 0.8 Reveal Angle	250mm	3000

Custom lengths and widths available on request

AluBase

Anodised Aluminium Skirting Board Trim

AluBase® Skirting board is a modern alternative to traditional timber skirting boards. Available in flat skirting or shadowline skirting options, AluBase is equipped to suit modern interior finishes and commercial office environments.

AluBase Shadowline Features

- One piece profile manufactured from high quality aluminium.
- Designed and approved for use with EzyJamb Classic Adjust (EZC) door jamb system only.
- Different profiles available to suit 10mm and 13mm plasterboard.
- Concealed fixing system.
- Crisp 12 x 12mm shadowline recess.
- Perforated bead for trowelled finish.
- Excellent resilience to wear and impact.
- Supplied in natural anodised finish.
- Perfect joins are easy with optional joiners.
- Eliminates cracking (common with MDF profiles and multiple sections, ie P50 with aluminium skirt)

AluBase Options



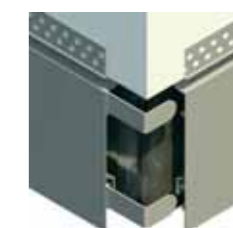
Flat Skirting
SK80 / SK100



Shadowline Skirting
SLS1090 / SLS1390



Straight Joiner



Corner Joiner



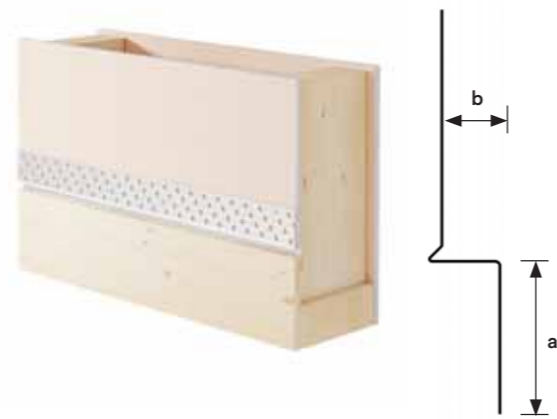
SLS Fixing Clip



Custom Shadowline

Clean Contemporary Lines

Modern interior design is characterised by clean lines and flush finishes. Shadowline sections provide simple yet effective details to interior spaces, such as ceiling perimeters, doorways and skirting boards, amongst other applications. To create a unique profile for your project EZ Concept presents Custom Shadowline; made to meet your specific size requirements for the perfect fit in your design.



Custom size profile. Please specify sizes when ordering.

Shadowline Features

- Create the exact shadowline you need.
- Allow for variations in floor height or plaster thickness using a custom formed section.
- Heavy duty material to create a perfect straight and cleanline.

Custom Finishing Sections

Create Harmonious Finishes

The clean line and square set look can now be achieved throughout your complete project. Contact the team at Studco to assist you with creating a custom flush finish section to suit your needs. Here at Studco we can provide a whole finishing package that will enable you to deliver the flush finish look.



Custom Sizes available on request

Environmental Awareness

Our commitment to environmental responsibility Studco Greensmart is an industry-leading initiative based on two simple principles.

Sustainable building technology innovation; and Practical sustainability leadership.

We are great believers in environmentally responsible business practises and in genuine investment for developing products that save energy and protect the environment. Our commitment to environmental responsibility and corporate accountability is evident in our ongoing certification to the internationally recognised benchmark standard ISO14001:2004 Environmental Management System.

When you build with Studco products, you can earn Green Star points for Green Star certified buildings.

Earn Green Star points with EZ Concept.

Architects and interior designers have a unique opportunity to use EzyJamb flush finish door jamb to achieve a modern square-set interior without compromising the Green Star credentials for the building.

- EZ Concept products are made up from up to 30% recycled content in steel material.
- It's shipped in 100% recyclable packaging.
- There is no wastage generated on site.
- Manufactured under ISO14001 EMS policy.
- Talk to us today about earning Green Star points for your EZ Concept range.

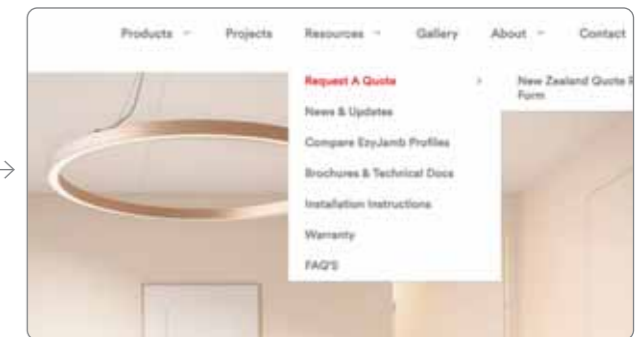


Ordering Guide

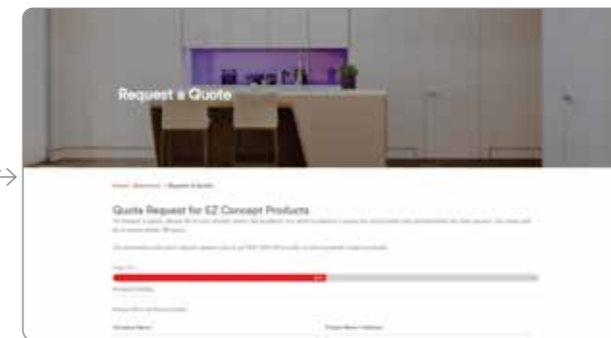
To request a quote or place an order with EZ Concept, visit ezconcept.com.au/quote-request/ or email sales@ezconcept.com.au for a request form. If you require assistance with placing an order, please call our team on 1300 399 526



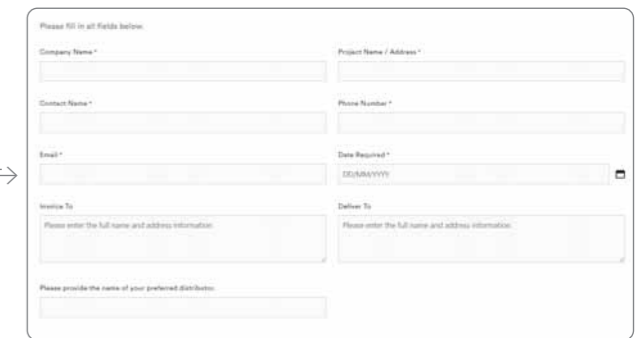
Website Main Page



Navigate Resources > Request a Quote through Menu Bar



Quote Request Page



Fill in Project Details



For Sales and Technical Enquiries, please contact EZ Concept Australia.

T: 1300 399 526
W: www.ezconcept.com.au
E: sales@ezconcept.com.au

Head Office - VIC
130 - 140 Merrindale Drive,
Croydon South, VIC, 3136

New South Wales
Queensland
Western Australia

11 Avalli Road, Prestons NSW 2170
17 Telford Circuit, Yatala QLD 4207
11 Beete Street, Welshpool WA 6106

