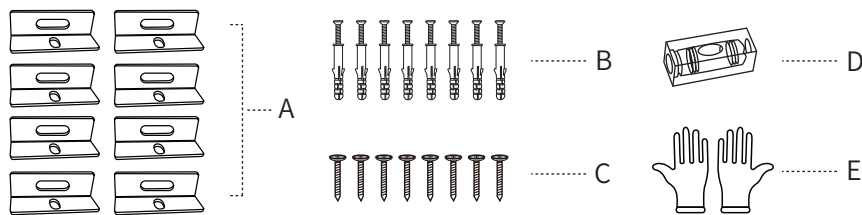


Wall Mounted Glassless Mirror Installation Instruction

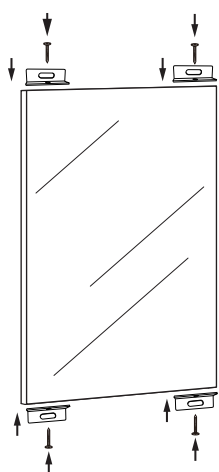
Accessories List:

- A: L-shaped Brackets x 8 pcs
- B: Expansion Screws x 8 pcs
- C: Self Tapping Screws x 8 pcs
- D: Square plastic horizontal bubble x 1 pc
- E: Gloves x 1 pair

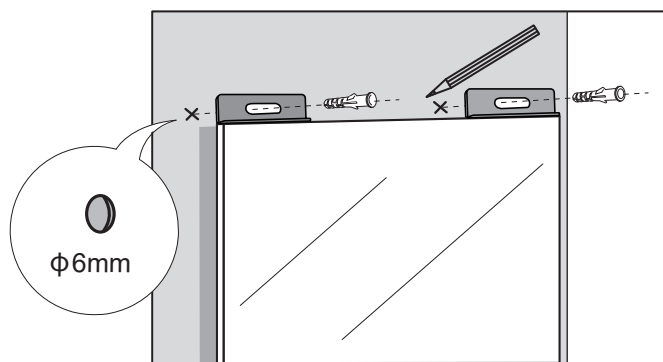


Installation Steps

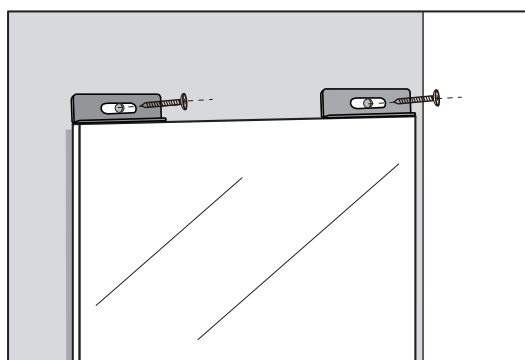
1 Fixing the L-shaped brackets on the four corners of the mirror by self tapping screws as shown in the figure.



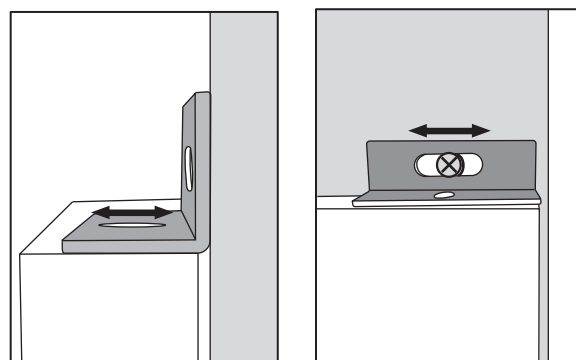
2 According to the position of the L-shaped bracket installed at the four corners of the mirror, fixing the ϕ 6mm holes position on the wall, and placing the expansion tube into it.



3 Then place the glassless mirror on the wall, using expansion screws to fix the brackets on the wall.



4 The glassless mirror can be moved backwards and forwards slightly in L-shaped brackets, and the left and right glassless mirrors are adjusted to the same line, then tighten the self-tapping screws.



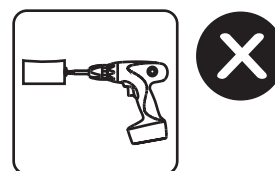
Notes



1. Do not touch the glassless mirror with hard objects.



2. Do not press the glassless mirror surface.



3. That self-tapping screws achieve the function of fixing is fine. Do not tighten the screws excessively to avoid the distortion of Aluminum frame.