



ITALIAN MADE

4N1 AMBIENT

Instant filtered boiling & ambient water, plus regular hot and cold water available from a single multifunctional tap.



The Multitap™ 4N1 Ambient dispenses boiling water for instant hot drinks and helping with countless kitchen tasks. Its innovative illuminated touch button control also gives you instant filtered ambient drinking water. Perfect for reducing the need for bottled water or cumbersome water jugs.

FEATURES

- Single multifunctional tap design
- Designed & manufactured in Italy
- Instant filtered ambient water
- Instant filtered boiling water
- Regular mains hot & cold water
- 2 modern tap designs – J Shape and L Shape
- Innovative, illuminated touch button control releases ambient water
- Available in 3 finishes chrome, brushed steel & matte black
- Durable PVD matte black finish, less susceptible to abrasions
- Auto-lock, multi-step boiling water lever
- Swivel spout
- 5 year tap warranty & 2 year tank warranty



All of our Multitap products are protected by a push lock safety lever.

4N1 AMBIENT L SERIES



Pictured in Brushed Steel finish



FUNCTIONALITY



Filtered Boiling Water

Adjustable temperature from 88°C to 98°C



Filtered Ambient Water

Filtered water ready to drink



Regular Hot & Cold Water

Mains hot & cold water from a high quality, Italian designed kitchen mixer

AVAILABLE FINISHES



Chrome



Matte Black (PVD)



Brushed Steel

4N1 AMBIENT J SERIES



Pictured in Chrome finish



FUNCTIONALITY



Filtered Boiling Water

Adjustable temperature from 88°C to 98°C



Filtered Ambient Water

Filtered water ready to drink



Regular Hot & Cold Water

Mains hot & cold water from a high quality, Italian designed kitchen mixer

AVAILABLE FINISHES



Chrome



Matte Black (PVD)



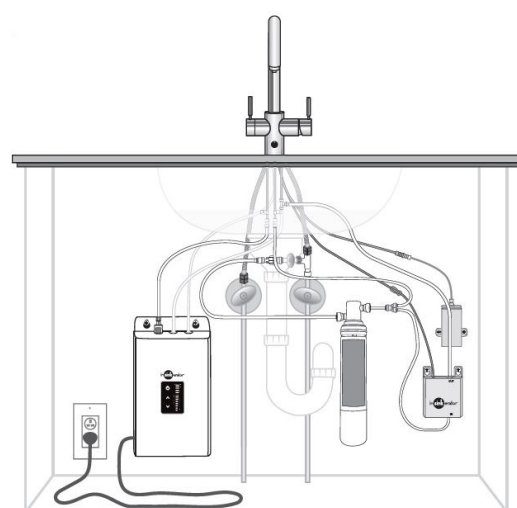
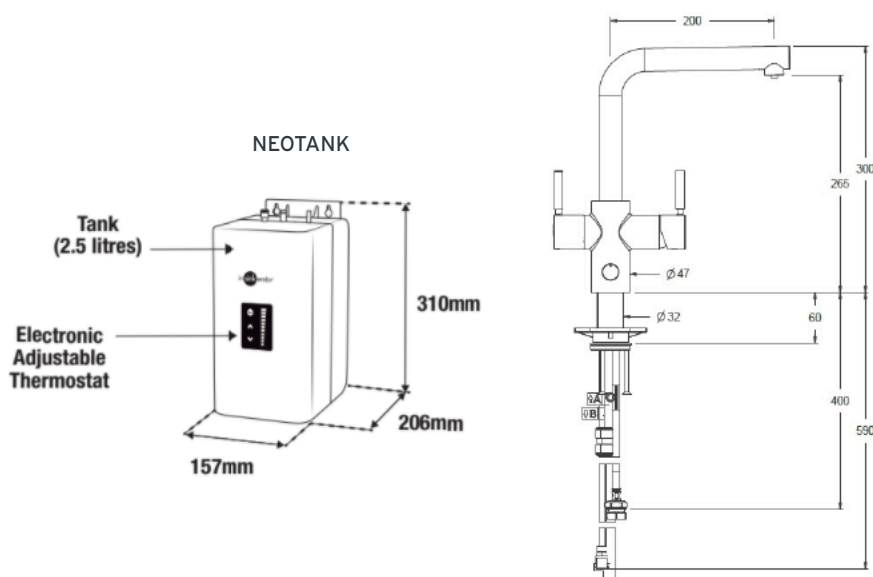
Brushed Steel

MULTITAP™ 4N1 AMBIENT

L SERIES SPECIFICATION SHEET

Tap	InSinkEerator Multitap 4N1 L Series
Product Code	Chrome - 4004LCA / Matte Black - 4004LBA / Brushed - 4004LBRA
Water Supply	Hot & Cold mains supply
Required Supply Pressure (cold)	172 - 862 kPa (1.7-8.6 bar) 25-125 psi)
Required Supply Pressure (hot)	50xPa (0.5 bar) (7psi)
Required Hole Diameter	35 - 38mm
Power Supply	1 x 10amp GPO
NeoTank Capacity	2.5L Stainless steel tank
NeoTank Dimensions	310 x 206 x 157mm
Warranty	5 Years (tap) / 2 Years (tank)
WELS Rating	5 Stars
WaterMark Certified	Yes

TECHNICAL DRAWINGS



For full installation details,
please visit www.insinkerator.com.au

MULTITAP™ 4N1 AMBIENT

J SERIES SPECIFICATION SHEET

Tap	InSinkEerator Multitap 4N1 J Series
Product Code	Chrome - 4004JCA / Matte Black - 4004JBA / Brushed - 4004JBRA
Water Supply	Hot & Cold mains supply
Required Supply Pressure (cold)	172 - 862 kPa (1.7-8.6 bar) 25-125 psi)
Required Supply Pressure (hot)	50xPa (0.5 bar) (7psi)
Required Hole Diameter	35 - 38mm
Power Supply	1 x 10amp GPO
NeoTank Capacity	2.5L Stainless steel tank
NeoTank Dimensions	310 x 206 x 157mm
Warranty	5 Years (tap) / 2 Years (tank)
WELS Rating	5 Stars
WaterMark Certified	Yes

TECHNICAL DRAWINGS

