

Vehicle Lifts



Architecturally sensitive design, value for your investment

Locally Designed & Manufactured Lifts

Why Choose Safetech

Australia's widest range of vehicle lifts.



For more than 30 years Safetech has been lifting Australian business with our award-winning range of lifting products and solutions.

From huge 30 tonne truck lifts in shopping centers to custom car lifts that complement your home and your lifestyle. We make them all.

Our Vehicle Lifts are built with the same engineering excellence and tradesman's care that is trusted by almost every Australian retailer, factory and warehouse.



Lifts that work for you, not the other way around

Many Vehicle Lifts are industrial relics. But a Safetech lift is simple, intuitive and modern.

Riding one of our lifts requires as much skill as any commercial or residential personnel lift.

We have one touch/no touch controls schemes and automatic sensing units.

Creating Value



Lifts that increase your investment

Investing in property is one of the biggest decisions of a person's life. Buying either a house or an apartment, all aspects of a potential property will be assessed for livability as well as buying and re-sell value.

So, when it comes to the transport and security of your precious, and in some cases, expensive motor vehicles, look no further than Safetech.



Lifts that raise your professional profile

All our vehicle lifts compliment the quality and finish expected of a buyer.

It elevates the image and perception of the builder, and in most cases, it aids in raising the value of the property for the developer.

Safety & Security



Lifts that keep you safe

Security and safety are at the core of any Safetech design.

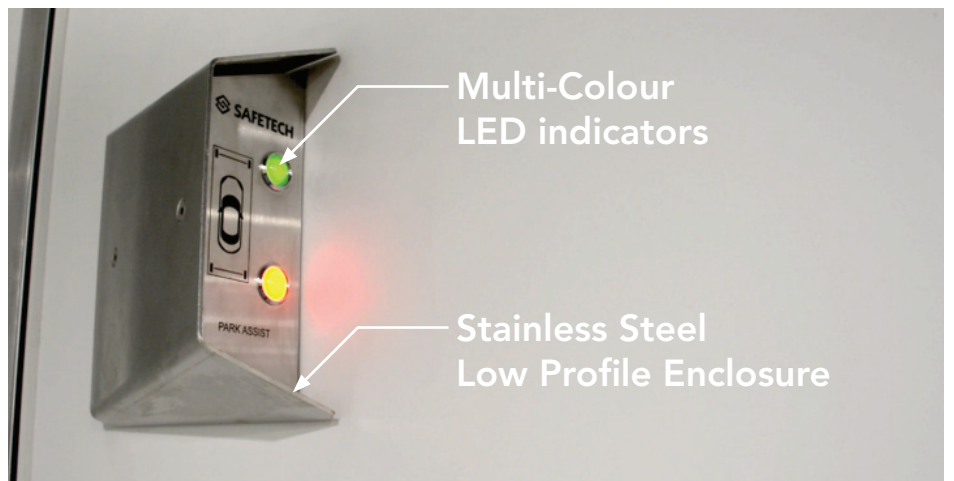
Passengers feel secure in the well lit Safetech cabin. Refined controls provide instant feedback on the lifts progress.

- ❖ Non-powered descent
- ❖ Optional onboard phone support
- ❖ Control panel feedback during travel
- ❖ Landing Lock Pins
- ❖ Warning lights and alarms
- ❖ Manual override controls to prevent intruders

Park Assist

The Safetech Park Assist system provides intuitive feedback about the position of your vehicle.

Various integrated mounting options are available upon request.



Buyers Guide To Car lift Selection

Making the Right Decision

Choosing a vehicle lift is one of the most important decisions you will make for your building. The lift should be easy to use, reliable, efficient, safe and add value to the property.

Standardised Australian Design

- Is the car lift locally manufactured and supported?
- Does it comply with Australian mechanical, electrical, hydraulic and controls standards?

A Single Trusted Supplier

- Does the manufacturer make the lift, doors and controls?
- Who do you call? Managing multiple suppliers reduces accountability.

Safety & Security

- Is the lift WorkSafe compliant?
- Can you safely exit in a power outage? Any risk of entrapment?
- Can strangers use it to enter the building?

Performance & Reliability

- Check the suppliers history. Ask other customers for a reference.
- Does the lift run smoothly?
- What is the lift cycle time?
 - Including door opening/closing?

Quality Finishes

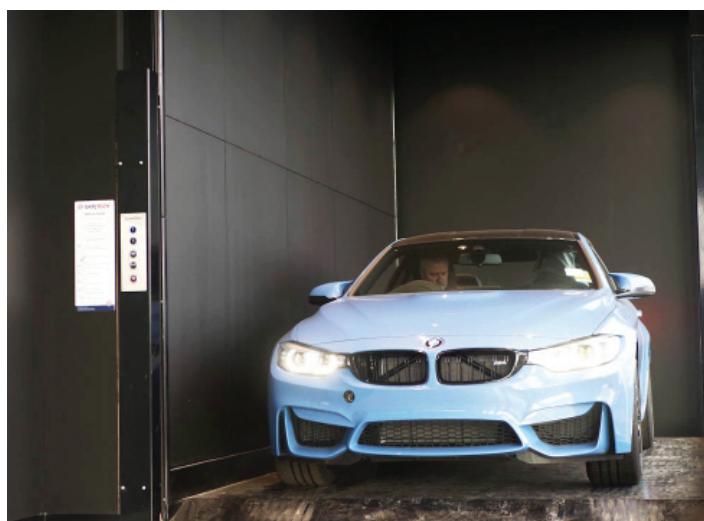
- Does the lift design match the finish of your building?

User Experience

- Are the controls modern and attractive?
- Is it easy to use?
- Can you stay in your car?

Support & Service

- Is 24/7 local support available? Are design and controls engineers in Australia or overseas? Are parts available locally?



Configurations

A Lift for every space

AutoMate

Our refined vehicle lift package has been designed with existing industry specifications in mind, combined with Safetechs proven quality lifting components.



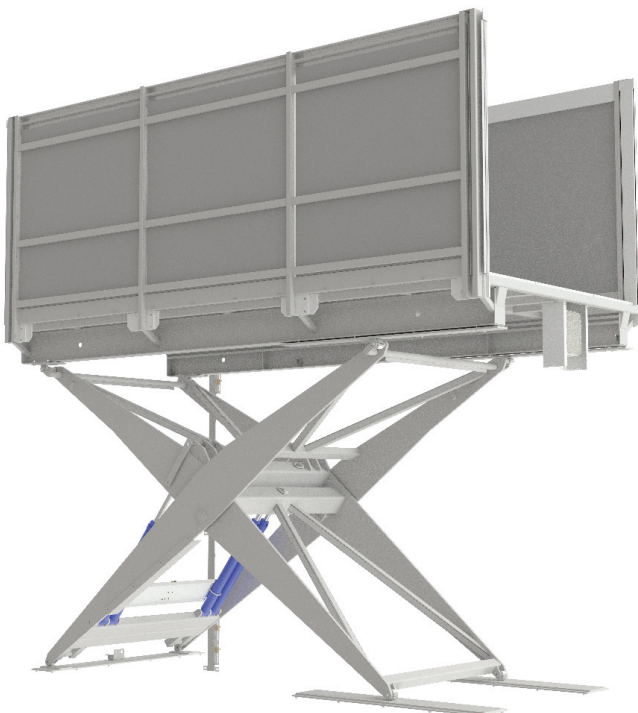
Dual Rail

Our Dual Rail system provides all the benefits of the Automate, with higher capacity and versatility.



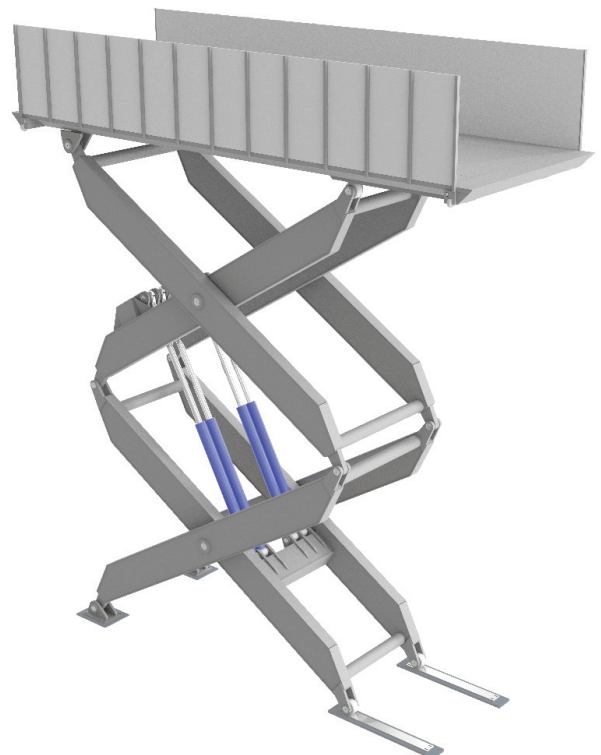
Scissor Lift

Scissor options in general allow for minimum shaft width, maximising floor space for the rest of the building, but requires a pit to house the legs when lowered.



Double Scissor

Double scissors allow for longer travel, but a deeper pit is required.



Lifts that match your style

Vehicle lifts may be hidden from the street but that doesn't mean they should be dark and industrial.

Users shouldn't feel like they are riding a rubbish chute when they arrive home.

Safetech offers you quality finishes and custom touches.



Non Slip Paint

Matte finish enamel paint in our standard colours

Grid Mesh

Low maintenance and durable. Available on scissor lift variants

Checkerplate

Standard Treatment in our standard colours

Sand Grit Enamel

For a non-slip gloss finish

Versaboard Paneling

Versatile, easy to maintain and replace

Laminex Board

Wide range of colour options and finishes

Stainless Steel

For the modern high end look

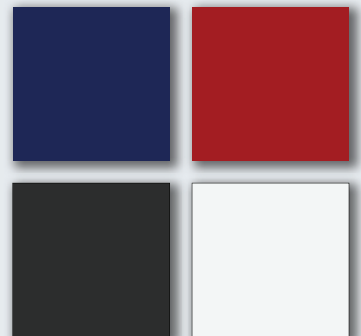
Checkerplate

Aluminium reflective finish

Paint

Standard colour options.

Custom colours available upon request.



Control - Residential System

Controller: Safetech Designed Control Access



	Vehicle Access	Pedestrian Access
Ground Level	2 BUTTON ELSEMA REMOTE	No Controls as Standard
Onboard	For all vehicle based travel. Including opening doors	KEYPAD & RFID READER To enable Controls
Other Levels		CALL BUTTON Where security is not an issue inside the building.

Options



4 BUTTON ELSEMA REMOTE

To separate door and lift raise lower control.



GROUND LEVEL KEYPAD & RFID

For pedestrian access

Controls can be setup to have the hoist waiting at ground level. So as you approach home simply press the up control and drive in like any other garage.

Close the door behind you and proceed to your basement or mezzanine level without the need to reach outside of your vehicle.

Control - Multi User System

Controller: Industry Standard Access Controller




	Vehicle Access	Pedestrian Access
Ground Level	 <p>RFID 4 BUTTON REMOTE For destination input</p>	 <p>KEYPAD & RFID READER To enable Landing Control Panel</p>
Onboard	<p>No Input required Destination is pre-programmed</p>	 <p>KEYPAD & RFID READER To enable Onboard Control Panel</p>
Other Levels	 <p>PHOTOELECTRIC SENSOR For automatic return to ground</p>	 <p>CALL BUTTON Where security is not an issue inside the building.</p>

Drivers simply press their destination level, wait for the door to open and proceed onto the platform.

The onboard controls will illuminate to confirm its destination and the occupied lift will automatically proceed to the level and open the level door.

Safetech Multi User controls are web based and provide building administrators with control over access, default levels and help improve cycle times.



Options

RFID TAGS/FOBS

For pedestrian Travel. Enables use of onboard controls

Lifts that don't keep you waiting

DuraFast™

High speed roller door

Our DuraFast™ door has been designed from the ground up.

They are faster, quieter and tougher. Tested to more than 100,000 cycles



Amarr Doors





Sectional doors

Amarr, a trusted partner of Safetech.

Insulated, transparent and ventilated sectional door options available in various colours for all applications.



Custom Doors

-  **Recessed Roller Doors** - Roof integrated housing to maximise headroom
-  **Sliding Doors** - Hotel personnel lift style doors
-  **Swing Doors** - For extremely low roof scenarios
-  **Personnel Door Interlock** - Recessed lock for secure pedestrian access

Contact Safetech for more information and advice on what may suit your needs best.

Service & Support

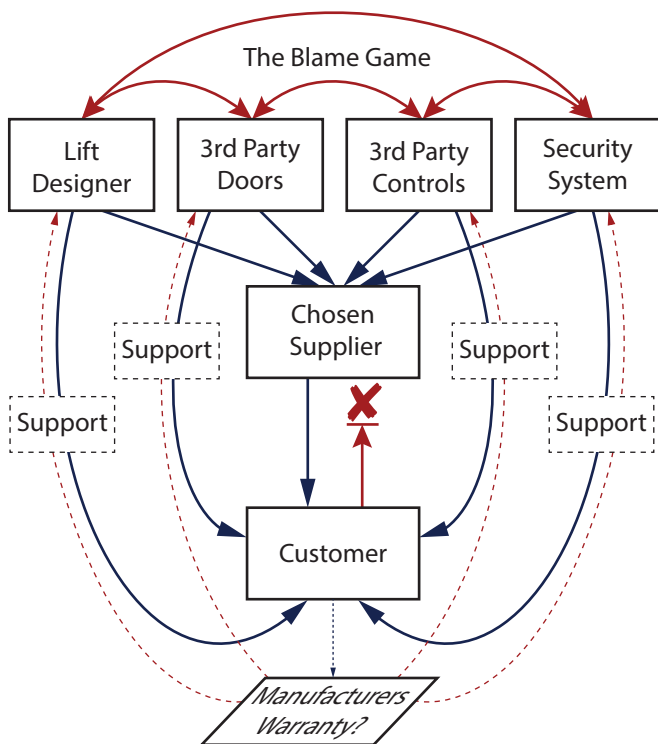
A single trusted supplier that supports you before and after the sale

The only company to supply a fully integrated vehicle lift solution

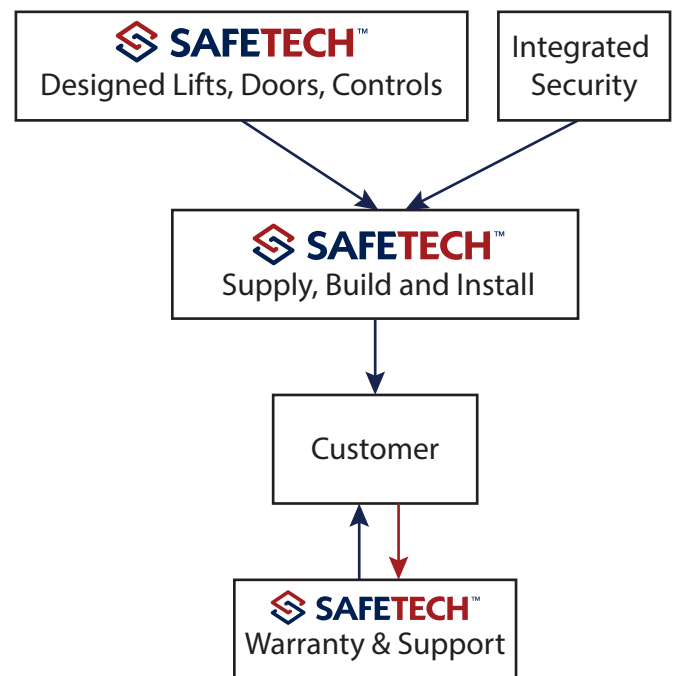
Safetech is a local company with a long history of designing and building mission critical equipment for customers throughout Australia.

Which Pipeline Serves you best?

EXTERNAL OPTION



THE SAFETECH OPTION



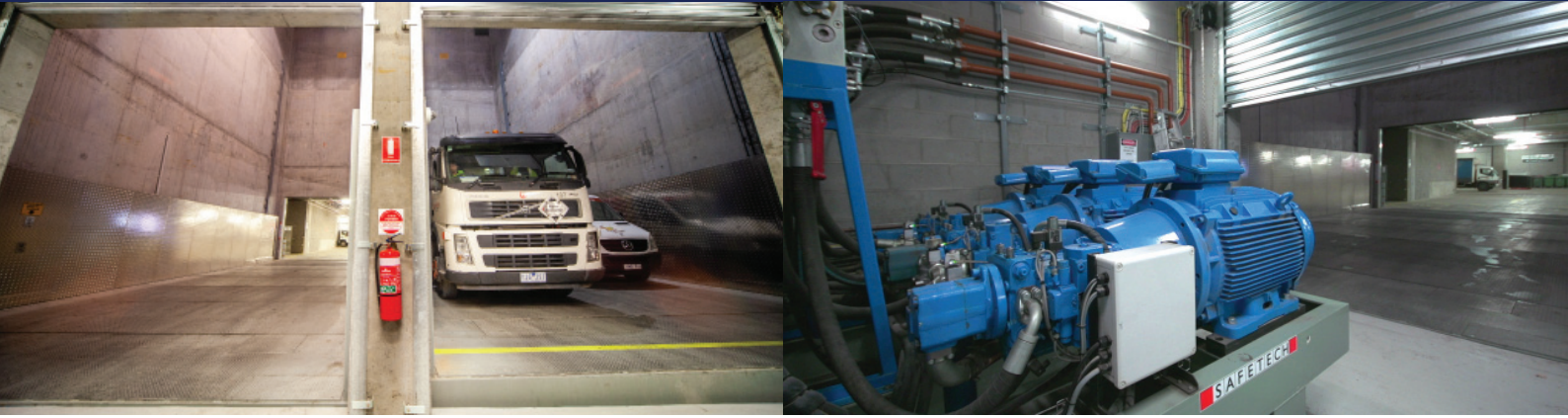
What we don't do;

- ❏ Sell cheap, substandard imports
- ❏ Fail to meet Australian Worksafe standards
- ❏ Rely on 3rd party suppliers
- ❏ Disappear after the sale
- ❏ Blame others when issues arise

What we provide;

- ❏ The Lift
- ❏ Doors
- ❏ User Controls
- ❏ Electrical components
- ❏ Security System
- ❏ Custom Sizes
- ❏ A Selection of Booth Finishes
- ❏ Ongoing Servicing
- ❏ 24/7 Breakdown Support
- ❏ Emergency Assistance
- ❏ A Suite of Optional Extras

Performance & Reliability



Emporium Melbourne Truck Lifts

Our largest installation, the twin 25 tonne Truck Lifts in the heart of the Melbourne CBD, have run over 150,000 lifting cycles combined so far without issue.



Save Time and Money

- ❖ 100% Duty Cycle
- ❖ Reduced Service Intervals
- ❖ Minimal downtime.
- ❖ Custom servicing and warranty agreements.

By monitoring cycles and use, Safetech can tailor servicing and warranty contracts to ensure best value.