



# CEWOOD

ACOUSTIC  
PANELS

SOUND  
PROFILE

NRC 0.55  
-0.80



CONTENTS	
Cewood in Use	02
Edge Options	05
Fibre Profile	06
Recommended Fixing Method	07
Compliance	07
Build Your Specification	08

Cewood panels are the ideal choice for the environmentally ambitious. Now you can create architectural places people love in harmony with sound, space, and sustainability. These innovative cementitious wood-fibre panels create calm inviting spaces, using sustainable practices that drive better environmental outcomes. They're available in a wide selection of sizes and natural hues.



ÉTÉ RESTAURANT  
FOOLSCAP STUDIO



VSBA BUNDLE A SCHOOLS - VIC  
ARM ARCHITECTURE



ONE SCHOOL GLOBAL GYMNASIUM  
WESTERN CEILINGS



PURRUNA SPENCER NEWTON CENTRE, SA  
HAMES SHARLEY



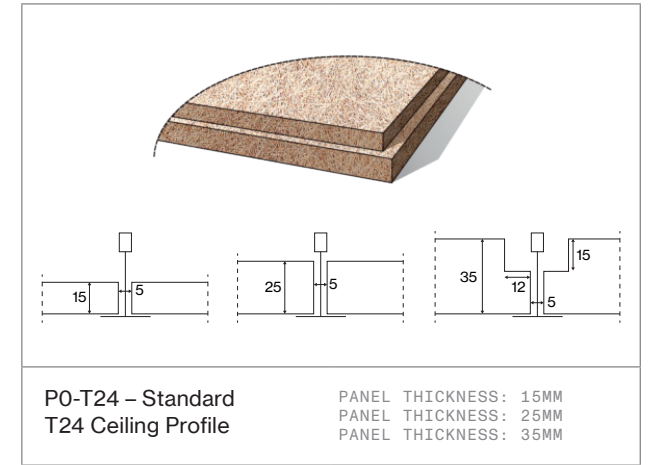
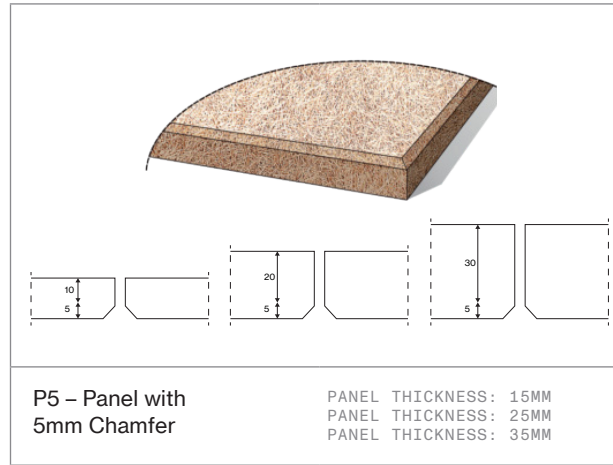
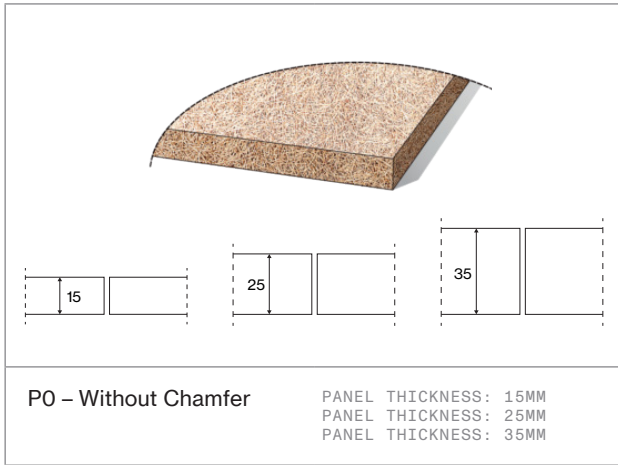
SKYE PRIMARY SCHOOL GYM, VIC  
AOA CHRISTOPHER PECK

# CEWOOD OPTIONS

SOUND  
PROFILE

NRC 0.55  
-0.80

## 01 – EDGE OPTIONS



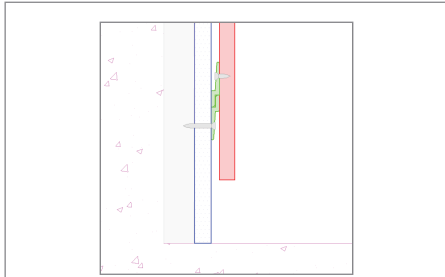
## 02 – FIBRE PROFILE



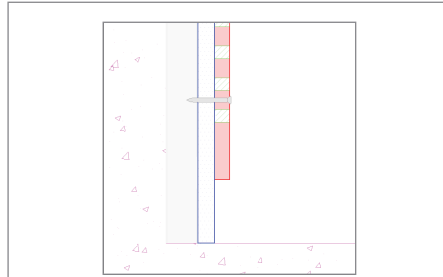
01 S – Super Fine, 1mm



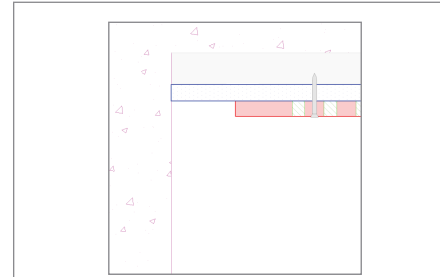
### 03 – RECOMMENDED FIXING METHOD



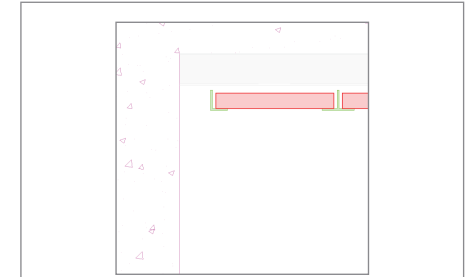
Wall  
Concealed BJT



Wall  
Visible - Face Fixed/ Direct Fix



Ceiling  
Visible - Face Fixed/ Direct Fix



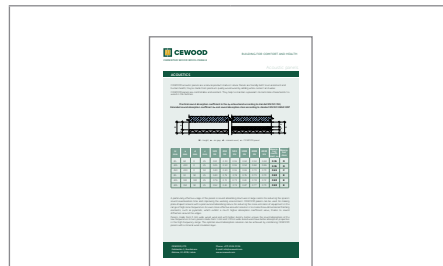
Ceiling  
Ceiling Grid - Drop-in Tile

View the installation guidelines for each fixing system on online: [decorsystems.com.au](http://decorsystems.com.au)

### 04 – COMPLIANCE



Fire Rating      GROUP 1



Acoustic Rating      0.55 - 0.80



Environmental Accreditation      GECA



Social Responsibility      AUSTRALIAN TRUSTED TRADER

View Certificates Online

\*Environmental accreditations may vary depending on the exact specification.

# CEWOOD -BUILD YOUR SPECIFICATION

Complete the table and use the details in your project specification.

PRODUCT	CEWOOD	SUPPLIER	DECOR SYSTEMS - PH: 1800 835 035	
FIBER PROFILE	SUPER FINE, 1MM			
EDGE OPTION	(CHOOSE AN EDGE PROFILE FROM THE LIST ABOVE)			
COLOUR	NATURAL	RAL COLOUR	(ENTER RAL COLOUR CODE ABOVE)	
FIXING METHOD	WALL CONCEALED - BJ2	WALL VISIBLE - FACE FIXED/DIRECT FIX	CEILING VISIBLE - FACE FIXED/DIRECT FIX	CEILING CEILING GRID - DROP-IN TILE
JOINT	EXPRESS (RECOMMENDED)	BUTT JOINT		
EDGING	MATCHING	BLACK	N/A	
BIOPANEL ZAP-X	YES	NO		
DECORINSUL	YES	NO		
FIRE CERTIFICATION	CEWOOD COMES WITH A GROUP 1 FIRE RATING.			
NOTES	(ANY EXTRA INFORMATION YOU WOULD LIKE TO ADD?)			
<p>Close collaboration between Decor Systems, the project architect and the client has taken place to develop this specification. Cewood cannot be substituted unless agreed by Architect and Acoustic Engineer.</p> <p>Panels should be allowed to acclimatise on site for at least five days before installation. Decor Systems certificate # (Contact your Decor Systems project consultant for your individual project number) to be supplied upon completion.</p> <p>Panel installation to be as per manufacturer's instructions and AS/NZS 2785. - Installation to be done by an approved ceiling and partition contractor.</p> <p>Product guarantee to be 99 years as per Decor Systems guarantee. Please contact Decor Systems for your project specific completion number.</p>				

# GET IN TOUCH