

# XS4 One - EU

The SALTO XS4 One is the evolution of the Original model with a built-in, totally new reader available in two colours. This version is compatible with most European mortise locks and cylinders.



---

## Finish



---

## Reader finish



---

## Features

- Simple installation is possible on any type of door, including those with narrow frames.
- Body and escutcheon made of steel.
- Available with mechanical cylinder cut outs for key override or access lock outs (override European and Cam profile cylinder) with audit trail facility available.
- Mechanical or electronic privacy option.
- The lock can always be opened from the inside (single action panic feature works in conjunction with the relevant mortise lock).
- Complementary escutcheons without reader available to maintain the aesthetics of doors that do not need to be controlled.

---

## Technical characteristics

- Covers door thicknesses: From 32mm up to 120mm.
- Dimensions: 285mm x 42mm x 19,5mm.
- Reversible handle left or right escutcheon.
- Clutch mechanism escutcheon; when unlocked handle moves freely.
- Handle rotation: 45°.
- Distance from the handle to the cylinder: 47mm to 110mm.
- Compatible with DIN and European mortise locks, mortise locks with Swiss profile cylinder, Australian standard mortise locks and narrow style mortise lock.
- Compatible with European profile and Swiss profile cylinders.
- Square spindles available: 7mm, 7.6mm split (Australia), 8mm, 8mm split, 9mm and 9mm split.

---

## Technology platforms

### SALTO SPACE

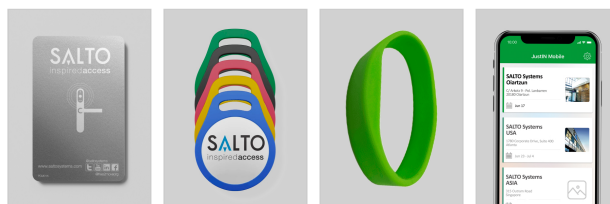


### SALTO KS



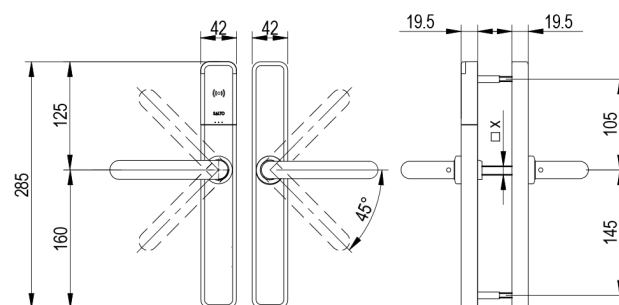
---

## Carriers



---

## Technical drawing



---

## Certifications



(\*) External escutcheon