

# DG100 GLASS OPERABLE WALLS

Unifold Holdings Pty. Ltd.

Head Office:  
26-28 Chetwynd Street, Loganholme QLD 4129  
PO Box 3440 Loganholme 4129  
Tel: (07) 3806 2899 Fax: (07) 3806 2855  
Email: sales@unifold.com.au

[www.unifold.com.au](http://www.unifold.com.au)



## About us

Unifold is an Australian owned company with decades of experience in the design and manufacture of acoustic movable partitions and accordion doors. We are proud to serve a national and international customer base, working with some of the best tier 1 and 2 builders all around Australia. Our customers can count on our accessibility and willingness to assist, from their first enquiry right through to installation and onwards.

We've been making acoustic dividing products since 1984. Fast forward to today and our culture is very much the same although we're not just talking folding doors. We now have a range of high quality operable wall and glazed products. Over the years we have evolved to become more than just a manufacturer. We design, consult, engineer, install and maintain. We look forward to being of service to established and new customers seeking a quality, custom solution to their partitioning and acoustic management needs for many years to come.

## Values



### RESPECT

We respect and value our customers and team mates alike, and the contribution that they make.



### INTEGRITY

We act fairly, ethically and professionally in all we do.



### TEAMWORK

We combine our energy, skills and resources to deliver the best achievable results.



### PERSERVERANCE

No matter how difficult or challenging the task, we finish what we started.



### CONSISTENCY

Constant effort and continuous improvement to providing only the best quality workmanship and customer service.



### CULTURE

We check our egos at the door, committed to supporting our customers whilst creating a healthy, fun and productive work environment.

## The Unifold Difference

We are proud to serve a national and international customer base, supplying our products throughout Australasia. Many of our customers have utilised our products for years over multiple projects, appreciative of the Unifold culture for customer service excellence. This commitment includes offering flexible lead times, rapid turnaround time for quotations and delivery, expert advisory, a solid factory warranty and prompt service and repairs. Our customers can count on our accessibility and willingness to assist, from their first enquiry right through to installation and onwards.

Unifold is positioned to manage small and large projects. Our broad scope of works means our customers can procure a diverse range of complete products from the one supplier, all manufactured and installed to equally high standards.

As a testimony to the Unifold difference, the company has been a finalist for Progressive Australian Business Awards and has been awarded Australian Design Awards. In 2009 we were nominated as an outstanding supplier for the National Public Building Awards. In an effort to do our part for a more sustainable future, we have become members of the Green Building Council of Australia.

Unifold intends to continue on our proven path to longevity and success.

We provide high quality operable wall, folding door and glazed products combined with exceptional customer service.

From the design and manufacture stages through to installation and support we promise to be professional, honest and customer focused.

Our aim is to build a great business on a great reputation.



## CONTENTS

SPECIFICATIONS	3	PANEL FRAMES	5
STACKING	3-4	CLOSURES	6
SEALS	5	TRACKS	7



## Specifications

Panels are 100mm thick and can be manufactured to a maximum size of 1200mm wide by 3000mm high. The panels incorporate an 80mm trim around the perimeter of the frames with dual 20mm interlocking stiles. These stiles also include three vertical rubber bulb seals and two vertical PVC seals to provide a complete airtight seal.

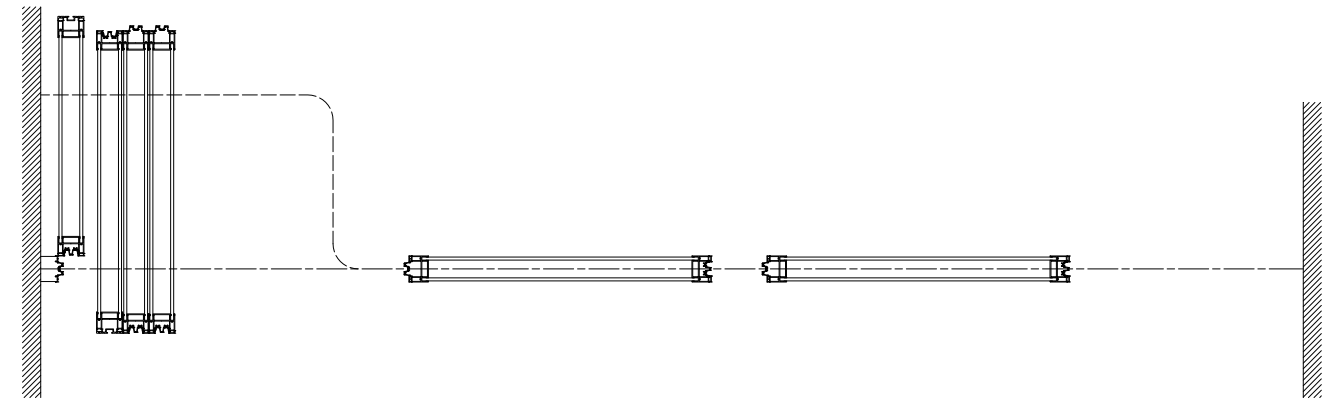


## Stacking

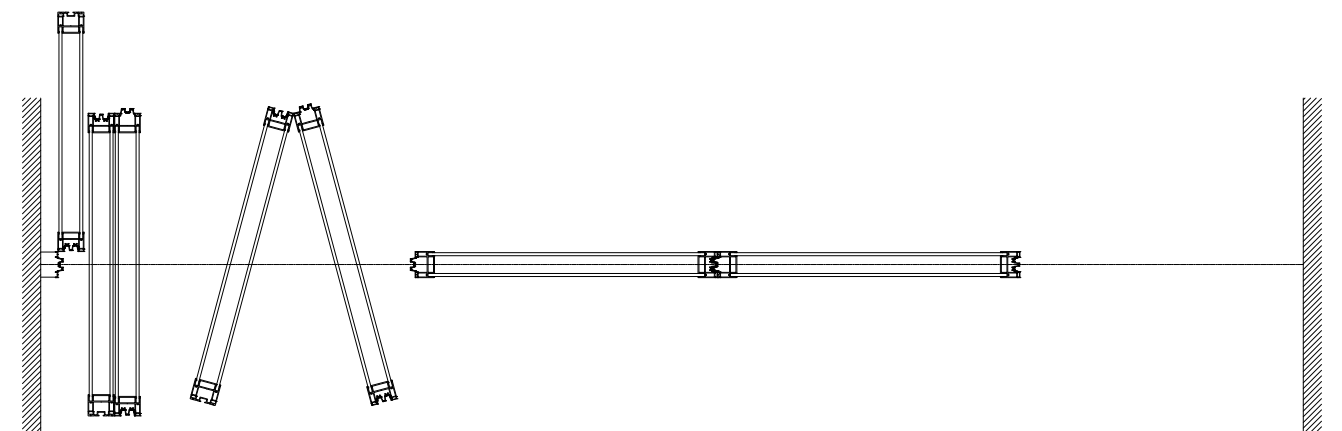
Side stacking is preferred with the DG100 as it enables ease of operation for moving panels. Like our Operable Wall system, when your operable wall is retracted, there are several options for storing your panels. A center stack is the most simple and basic stacking option available. A side stack allows you to store the panels slightly off to the side of the main track, which would keep the panels from protruding into a hallway, for example. Lastly, a remote stacking option allows you to store the panels wherever you wish, such as a cupboard or stacking bay, which both protect the panels while also keeping them out of view.



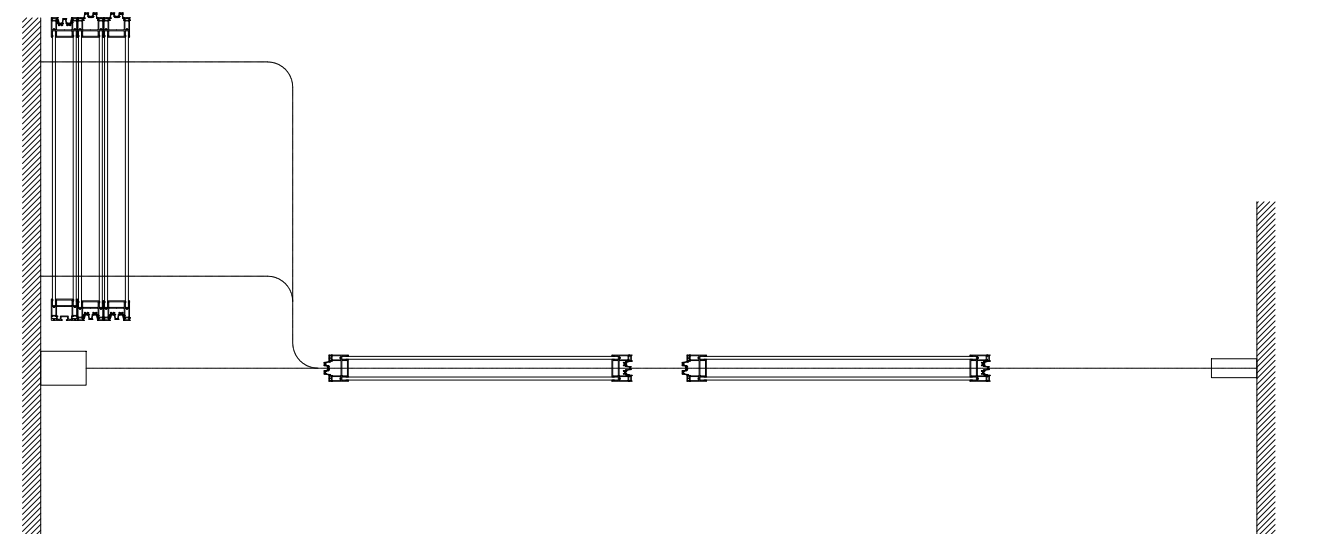
### Side Stack



### Centre Stack



### Remote Stack



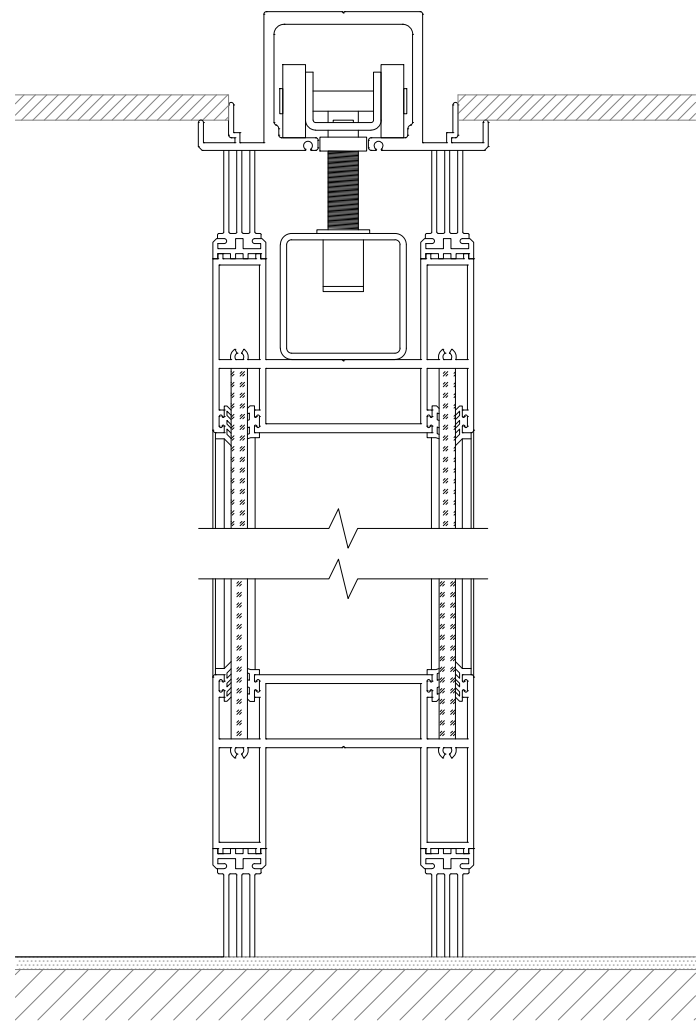
### GLASS OPERABLE WALL SPECS

Panel Thickness	100mm
Panel Width	1200mm maximum
Acoustic Rating	RW49
Weight	45kg/m <sup>2</sup>

## Seals

**Horizontal seals:** The standard seal option for the DG100 operable wall is the three fingered rubber sweep seal. This seal is designed to make contact with the track and floor creating an acoustic barrier above and below the panels.

**Glazing seals:** Panels consist of captive wedge PVC rubber extruded seals enclosing glass panes and providing an airtight seal.

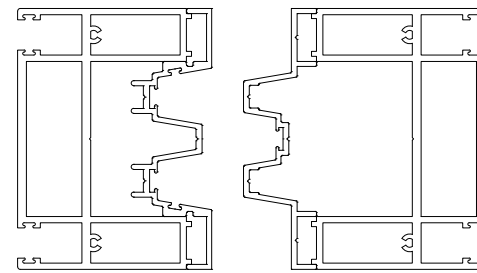


## Panel Frames

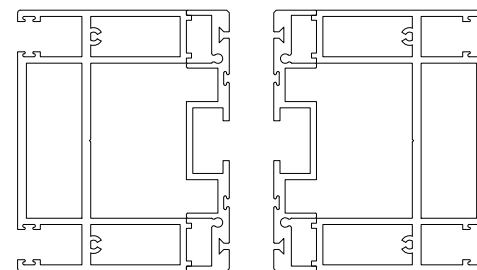
### Stiles

The aluminium panel and door stiles are designed to achieve superb sound isolation qualities. Using an interlocking male-to-female principal, the stiles lock the panels together and become airtight with the use of rubber seals. The glass panel faces are protected within the aluminium frame leaving around 80mm exposed aluminium surrounds when the panels are closed.

### Male and Female Stiles



### Door Stiles

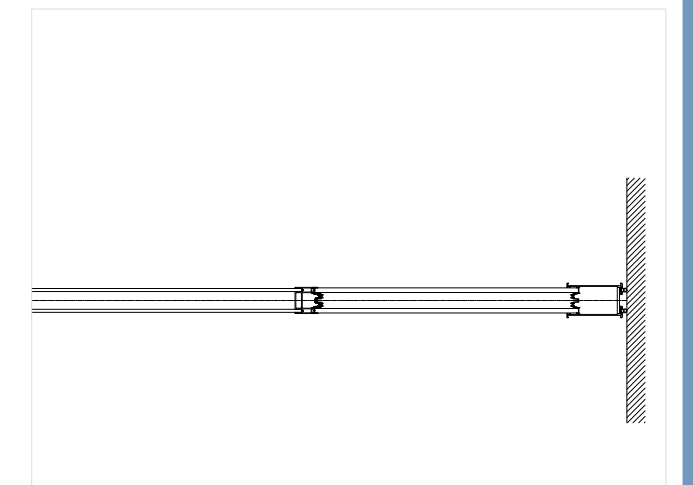
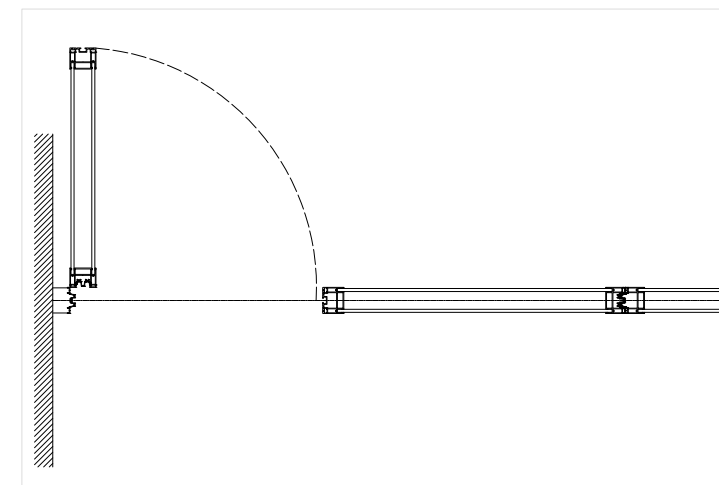


## Closures

A full height pass door is used to acoustically close the DG100 Operable Wall. This is positioned as the last panel and is hinged off a fixed jamb. Both ends of the wall have aluminium jambs and a concealed foot bolt is incorporated in the panel adjacent to the pass door. This is the preferred option when maximum acoustic flanking reduction is required.



Another option is an expanding panel with rubber bulb seals. This is the standard closure when no pass door is required and incorporates vertical rubber seals at both ends of the wall to acoustically seal the opening. In the case of requiring a higher Rw rating, it is preferred this panel sits inside a cupboard.





# Tracks

Full self guiding four wheel carriers. All Unifold operable walls are supplied standard with nylon tyred ball bearing four wheel carriers. Depending on the desired stacking, these carriers have the capability to guide themselves into the stacking bays for ease of operation. For custom stacking, heavy duty counter rotating track and carriers may be required.

## OW 55 Tracks

## Counter Rotating Tracks

