

SV-X110



Compact Glass Sliding System

Technical Details

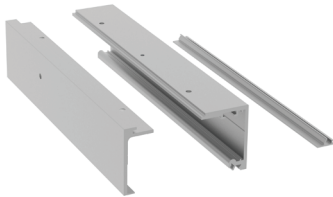
- Compact sliding door system
- Suitable for 10, 12 and 13.52mm glass
- Can support up to 110kg glass doors
- System has been tested to 100,000 cycles
- Variety of braking systems
- Tracks can be mounted to the wall, ceiling or recessed into the ceiling
- Tracks available with a glazing pocket for fixed panels.

Available Finishes

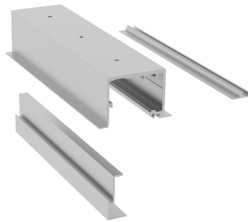
- Satin Anodised Aluminium



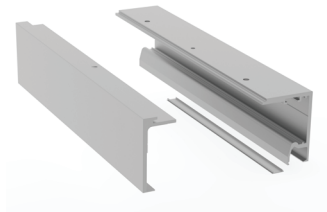
TRACK OPTIONS



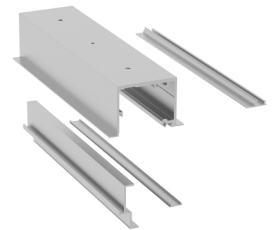
SV-X110-TRACK-1
Wall/Ceiling Mount



SV-X110-TRACK-2
False Ceiling Mount



SV-X110-TRACK-3
Wall/Ceiling Mount
With Fixed Panel



SV-X110-TRACK-4
False Ceiling Mount
With Fixed Panel

BRAKE OPTIONS



Soft Pro
SV-X110-SET-10
(Double Soft Pro)



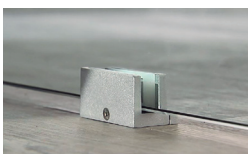
Retaining Brake
SV-X110-SET-1
(Double Retaining Brake)



Anti-Shock
SV-X110-SET-3
(Double Anti-Shock)

OTHER OPTIONS

- SV-X110-SET-2 - 1 x Anti-Shock & 1 x Retaining Brake
- SV-X110-SET-7 - 1 x Retaining Brake & 1 x Soft-Pro
- SV-X110-SET-8 - 1 x Anti Shock & 1 x Soft-Pro



SV-X-FG
Floor Guide



SV-X-GF
Glass Mount



SV-X-WB
End Wall Fixing Brackets



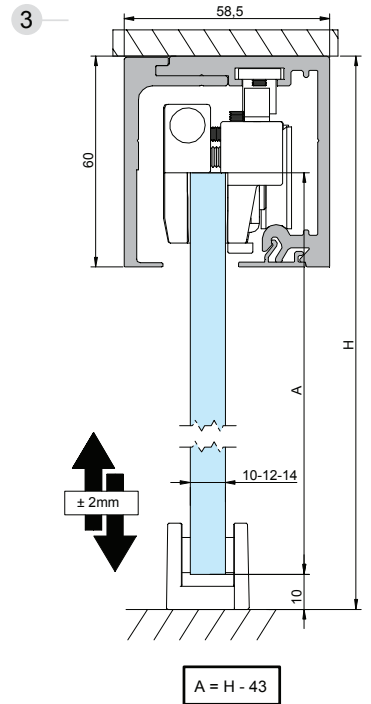
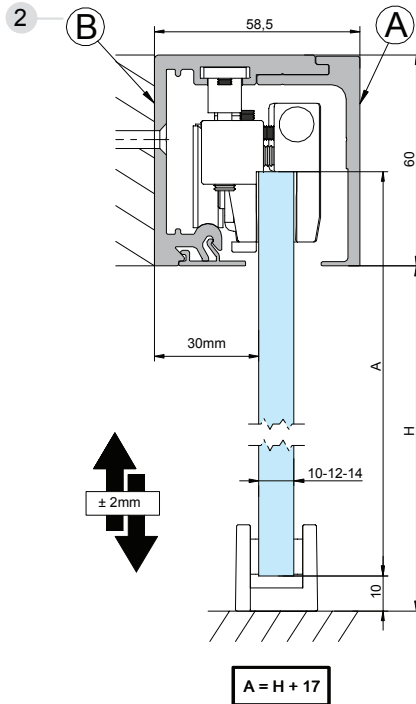
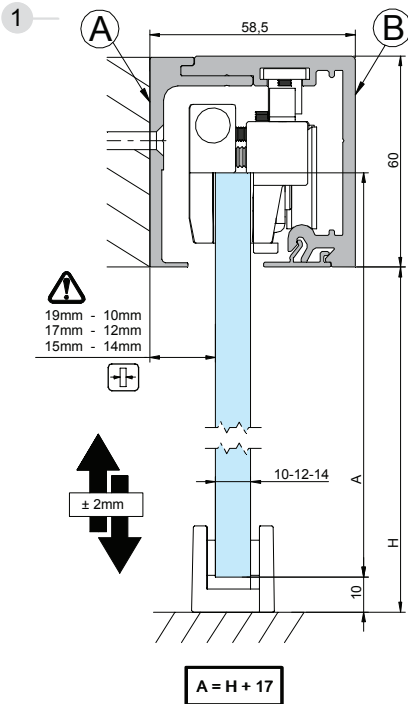
End Caps

SV-X110

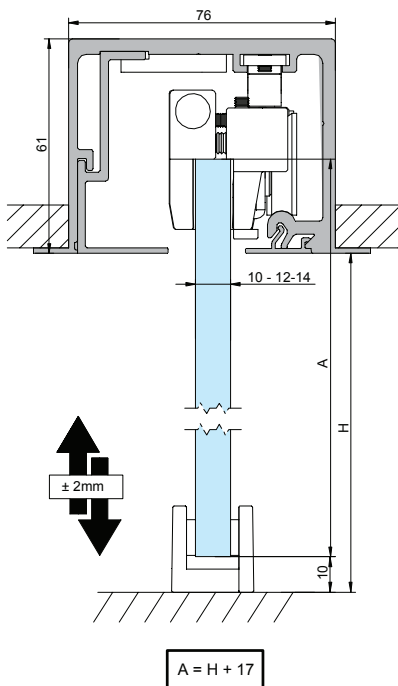


Track 1

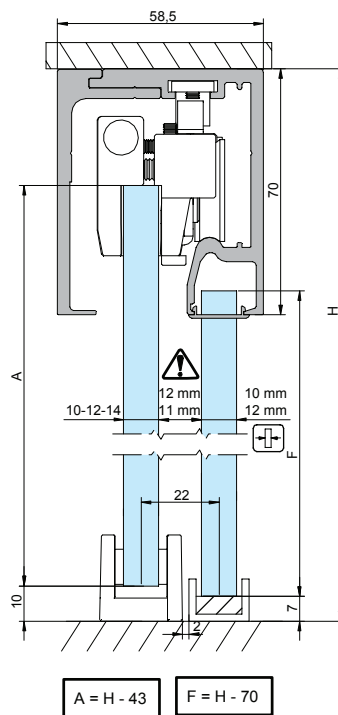
Can be fixed to the wall through either side depending on desired clearance to wall.
 Can also be mounted to the ceiling



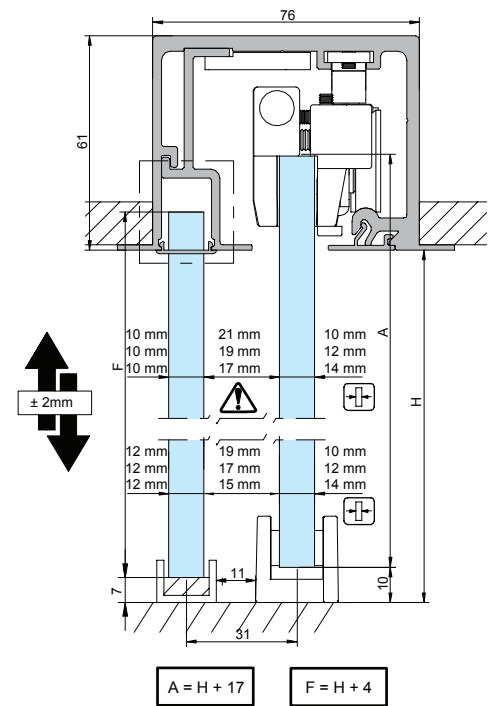
Track 2 False Ceiling



Track 3 Fixed Panel Adaptor



Track 4 False Ceiling Mount w/ Fixed Panel



Installation Possibilities

