



# ProBuilder™ Series

---

## Linear Gas Fireplaces



**We are proud to announce the ProBuilder™ Series of gas fireplaces by Lopi. The ProBuilder™ series represents Lopi's entry level linear gas fireplace models. Available in 3 models of 42", 54" or 72" wide.**

The ProBuilder™ range does not compromise on Lopi's renowned quality. The range is built with a heavy gauge 16-18 steel construction, and featuring a large viewing area through crystal clear tempered glass capturing a sleek linear style and beautiful flame presentation.

Each model is equipped as standard with a wall switch or an optional thermostat remote. The range also includes quiet variable twin blowers that can be independently operated from the flame and even be switched off completely.

### 3 Sizes Available



**ProBuilder™ 42"**  
1067mm Wide



**ProBuilder™ 54"**  
1372mm Wide



**ProBuilder™ 72"**  
1829mm Wide

# ProBuilder™ Models, Specs & Framing

## ProBuilder™ 42



Viewing Area:	Heating Capacity	Mj Input (NG or LPG)
1067mm x 380mm	Up to 100Sqm*	25Mj (high)
Media Options	Weight	Max Kw Output
Glass, Stone, Log	75 Kg	Horizontal 5.68 Vertical 4.62

## ProBuilder™ 54



Viewing Area:	Heating Capacity	Mj Input (NG or LPG)
1372mm x 380mm	Up to 150Sqm*	33Mj (high)
Media Options	Weight	Max Kw Output
Glass, Stone, Log	95Kg	Horizontal 6.55 Vertical 5.98

## ProBuilder™ 72

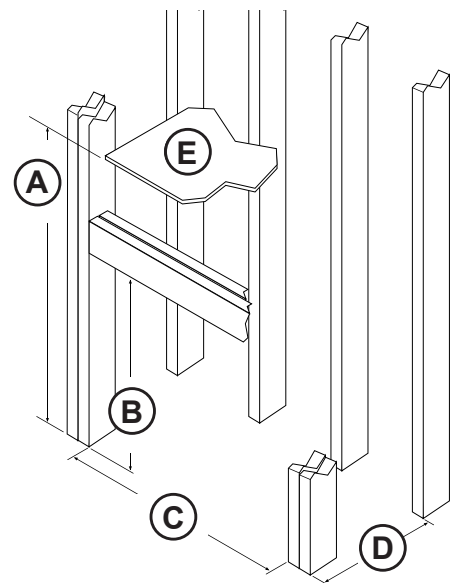


Viewing Area:	Heating Capacity	Mj Input (NG or LPG)	Media Options	Weight	Max Kw Output
1829mm x 380mm	Up to 200Sqm*	45Mj (high)	Glass, Stone, Log	125Kg	Horizontal 8.83 Vertical 8.07

## Framing Dimensions

	42	54	72
(A)	1150mm	1384mm	1727mm
(B)	877mm	877mm	1092mm
(C)	1197mm	1502mm	1959mm
(D)	404mm	404mm	404mm
(E)	The fireplace enclosure must be a min 1150mm tall	The fireplace enclosure must be a min 1384mm tall	The fireplace enclosure must be a min 1727mm tall

See back page for firebox dimensions.  
Refer to installation manual for full details - [www.lopi.com.au](http://www.lopi.com.au)



\*Heating capacity varies according to the size of closed off area, ceiling height, floor plan, insulation and outside air temperature.

# Features

- GreenSmart® Basic 2 (GSB2)
- Tempered glass viewing area
- Glass barrier screen is flush to wall
- Easy access gas controls
- Sleek linear style with beautiful flame presentation
- Heavy gauge 16-18 steel construction
- Can operate in a power outage
- Standard Wall Switch
- Quiet Dual 90 CFM Fans

## Options

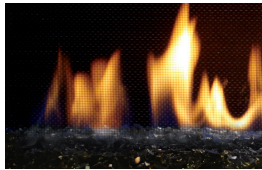
Wall mounted GreenSmart® Basic Remote (*upgrade from wall switch*)



Choice of Rock Embers & 4 Glass Colours for burner base (One Option Required)



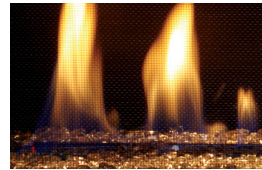
Rock Embers



Black Reflective Glass



Platinum Reflective Glass



Bronze Reflective Glass



Cobalt Reflective Glass

Optional Traditional Log or Tumbled Stone Media



Traditional Log



Close-up - Traditional Log



Tumbled Stone



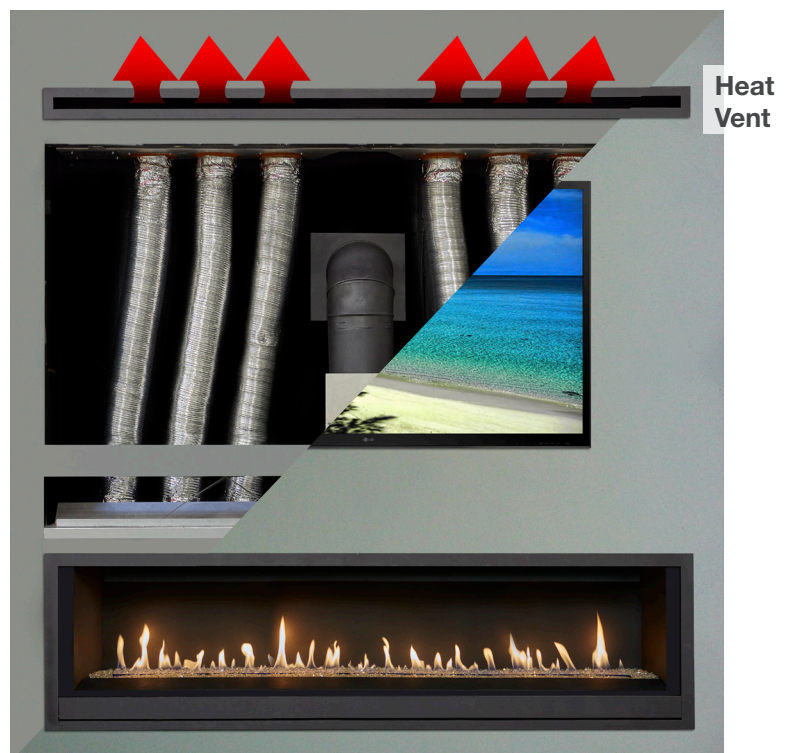
Close-up - Tumbled Stone

## CoolSmart™ Wall

The cool wall system is designed to redirect the convective heat of the ProBuilder fireplaces from the front of the unit, just above the glass, to a location higher on the wall.

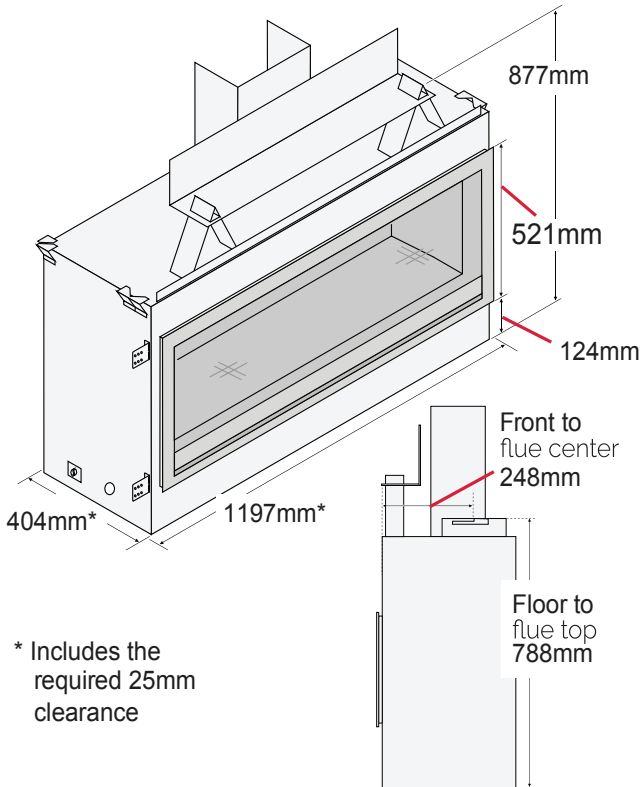
The use of this kit allows for reduced clearance to combustibles and accommodates TV installations closer to the fireplace or in recessed cavities above the fireplace. If using this kit, disregard the framing dimensions in the appliance manual and follow the framing instructions included in this kit. All other installation requirements for the fireplace must be followed as detailed in the appliance installation manual.

The optional CoolSmart™ Wall Kit is available on all ProBuilder™ Linear Fireplaces, which moves the heat outlet high on the wall to create a relatively cool zone to allow for safe television installs.

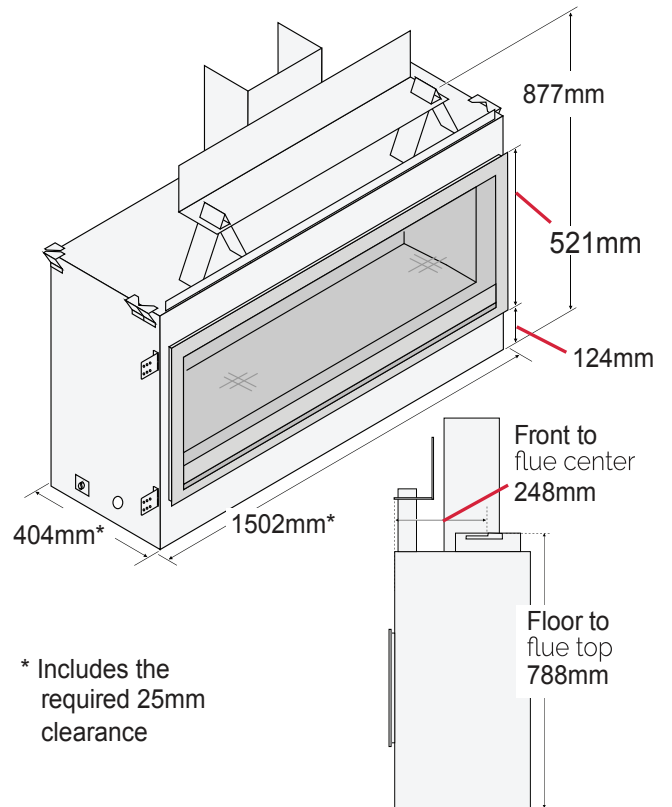


# Firebox Dimensions

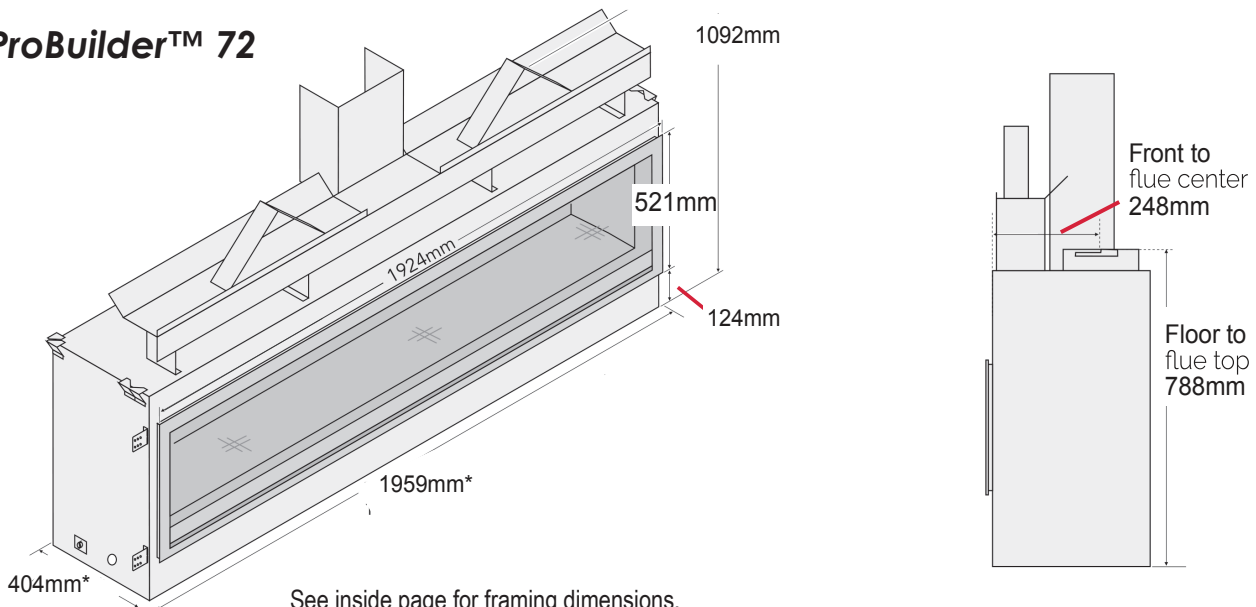
## ProBuilder™ 42



## ProBuilder™ 54



## ProBuilder™ 72



See inside page for framing dimensions.  
Refer to installation manual for full details - [www.lopi.com.au](http://www.lopi.com.au)

Authorised Lopi Dealer:



Proudly Supporting



[www.stevewaughfoundation.com.au](http://www.stevewaughfoundation.com.au)



Distributed in Australia  
by Dragon Wholesaling Pty Ltd  
Ph. 1800 064 234  
[www.lopi.com.au](http://www.lopi.com.au)

**Note:** Improper installation of your gas appliance or failure to operate it in accordance to the guidelines detailed in the installation manual may negate warranty and endanger your home and family. Installation information is available on our website at [www.lopi.com.au](http://www.lopi.com.au). We recommend all Lopi appliances be installed and maintained on an annual basis by your local authorised Lopi dealer.