

Pull-out shelf lock

Secure hold for pull-out shelves



 **blum**[®]

Pull-out shelf lock for MOVENTO and TANDEM

Quality of living is not only determined by design but also by convenience. That is why we have developed a practical lock-open stop for pull-out shelves with full extension. The discreet and space-saving mechanism securely holds the open pull-out shelf in place.



Contents

- 04 Pull-out shelf lock applications
- 08 Easy to use
- 10 Easy to install
- 12 Ordering and planning information
- 16 moving ideas

Pull-out shelf lock applications

Be it in kitchens, bathrooms, living or utility rooms, pull-out shelves come in handy throughout the home and stay securely open thanks to the lock-open stop. They create additional space for placing things, provide a sturdy worktop for kitchen gadgets and appliances, and quickly disappear into the cabinet when no longer needed.

Make your life easier with clever applications

Pull-out shelves with a lock-open stop provide extra space in bathrooms. You can quickly load and unload the washing if a laundry basket is placed directly in front of the machine. The open shelf is held securely in place for as long as you need it.

Mechanical
soft
close

BLUMOTION
by Blum

Every pull-out shelf closes softly and effortlessly no matter how hard you slam it shut.

Extra space for documents

Every inch counts in a home office. There's no point in squeezing in an extra desk that you'll never use. This is where a pull-out shelf with a lock-open stop comes in useful. It's ideal for placing any documents you need to reference while working. Unlock the pull-out shelf with one hand and the worktop disappears into the furniture. Just like that.

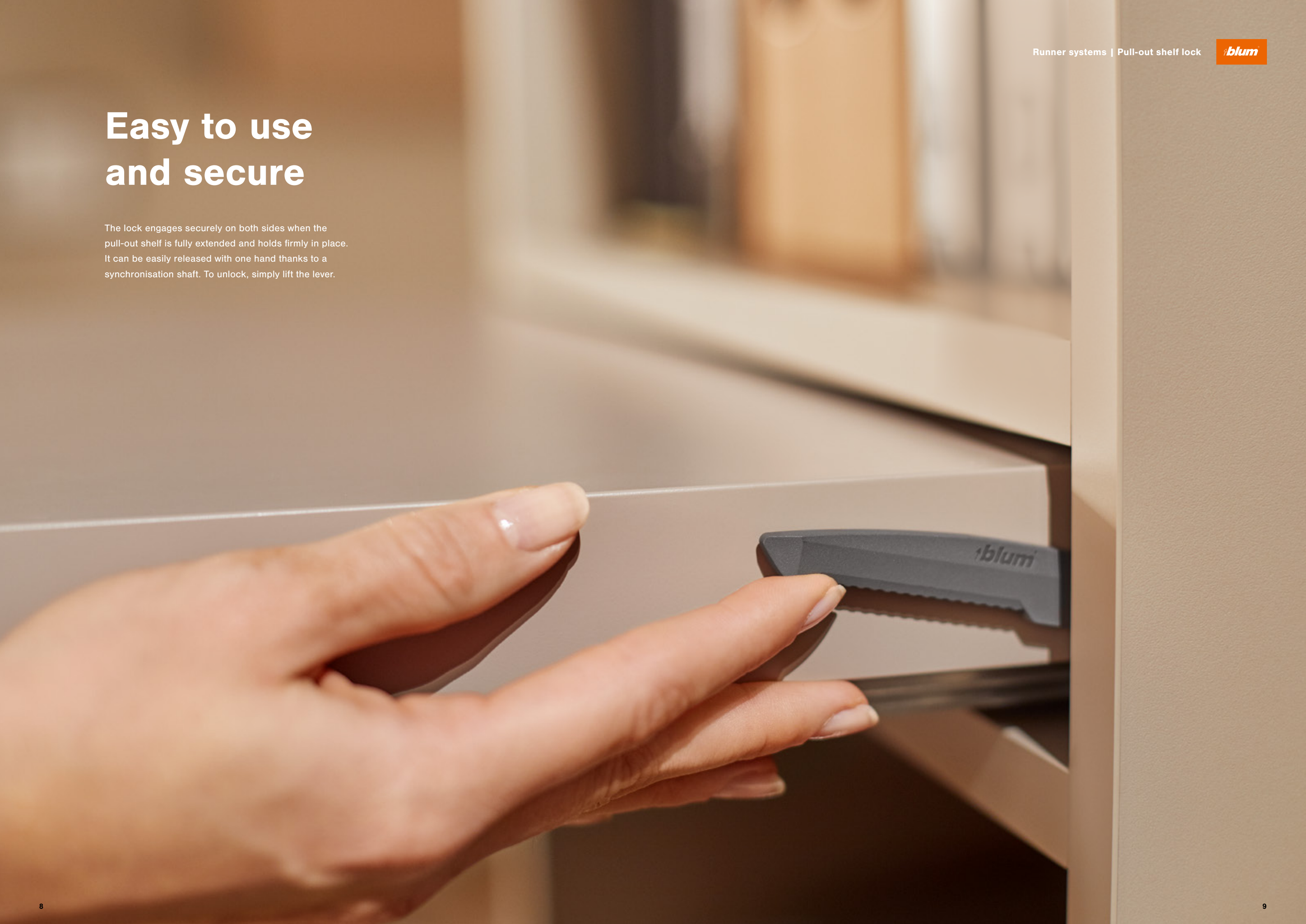
**Mechanical****opening & soft close**

**TIP-ON
BLUMOTION**
by Blum

Enhanced convenience. Press the front to open. To close, release the lock and close the pull-out shelf with a gentle push. It closes softly and effortlessly thanks to integrated BLUMOTION.

Easy to use and secure

The lock engages securely on both sides when the pull-out shelf is fully extended and holds firmly in place. It can be easily released with one hand thanks to a synchronisation shaft. To unlock, simply lift the lever.



Easy to install

You can upgrade your pull-out shelf with a pull-out shelf lock in just a few steps.



Locking unit and synchronisation shaft

Attach the locking unit to the synchronisation shaft. It has to be flush with the pull-out shelf.



Fitting and template rolled into one

The locking unit and latching element also serve as a template. Place the screws in the predefined fixing positions. You can use either chipboard or system screws for fixing the latching element.

Ordering and planning information

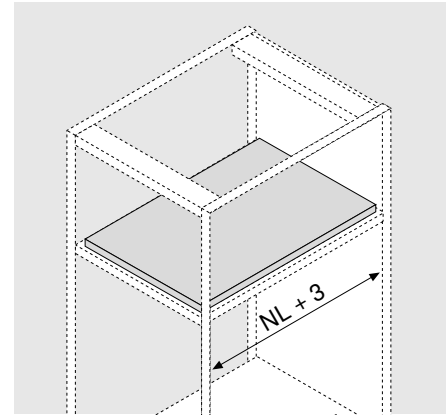
Product



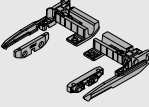
Description

- Can be used with MOVENTO and TANDEM full extensions; cannot be used with TANDEM single extensions or base fixings
- Can be combined with BLUMOTION and TIP-ON BLUMOTION
- Two-sided locking mechanism
- Secure hold
- Pull-out shelf lock can be released with one hand thanks to synchronisation
- Easy assembly – fittings serve as template
- Runners are attached in standard fixing positions
- Max. cabinet width 1200 mm

Space requirements

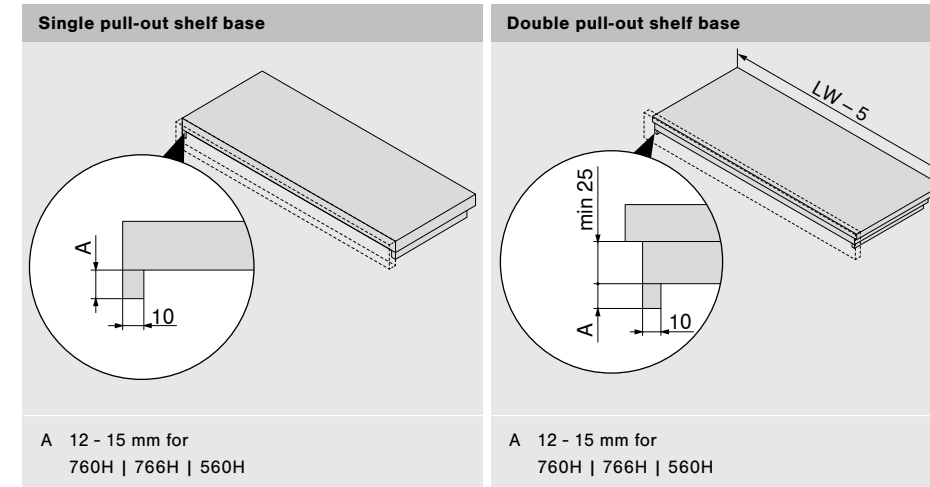
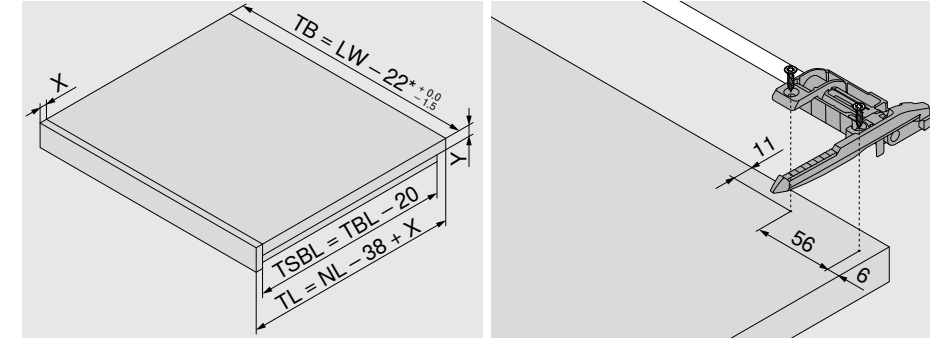


Ordering information

Pull-out shelf lock for MOVENTO and TANDEM	
	Material Nylon
	Colour Orion grey matt
	Consisting of: 2x locking unit* 2x latching element 1x installation instructions
	295H5700
	Fixing with chipboard screws Ø 3.5 x 15 mm, part no. 609.1500 or system screws, part no. 661.1450.HG
	* Fixing only possible with chipboard screws
During assembly of the pull-out shelf lock, make sure that you leave the tilt adjustment at the factory setting	
We recommend using a side stabiliser with wide pull-outs and short nominal lengths. This improves the engagement of the locking unit	

Synchronisation shaft	
	Material Aluminium
	Colour Natural
	For cutting to size ZST.1160W
	MOVENTO and TANDEM Cutting dimensions: LW - 87 ± 1 mm
	Pull-out shelf lock can be released with one hand thanks to synchronisation

Pull-out shelf assembly



MOVENTO 760H | 766H

Space requirements in the cabinet	Pull-out shelf	Pull-out shelf	Inset pull-out shelf
<ul style="list-style-type: none"> * + 1 mm if cabinet profiles are installed before cabinet is assembled ** Minimum 25 mm if installed in compartment 	Limited side adjustment	* Additional 12 mm for side stabilisation	* Additional 4 mm for TIP-ON or additional 3 mm for depth adjustment

TB Shelf width
LW Internal cabinet width
NL Nominal length
TL Pull-out shelf length
X Pull-out shelf front piece
Y Pull-out shelf base thickness
TBL Pull-out shelf base length
TSBL Pull-out shelf side panel length



moving ideas

We believe that ideas can move the world. We offer innovative fittings, inspiring furniture concepts and appropriate services so that you can turn your creative ideas into reality. We are driven by your needs, international trends and our shared vision of a better quality of living. Let us work together to create moving ideas.



Quality of living

We would like you to enjoy greater convenience and functionality when using furniture.



Product range

Everything from a single source: our wide range of products allows you to keep up with today's and tomorrow's trends.



Inspiration

We monitor global trends and strive to create the solutions of tomorrow. We like to share our insights with you.



Innovation

We stay in motion. Curiosity and pioneering spirit drive us to develop new products and services for you.



Services

We support your daily operations with customised services tailored to your processes.



Quality

We continuously strive to improve our products, services and ourselves.



Trust

We take responsibility for partnerships, our employees, society and the environment.

Julius Blum started our journey in 1952 with horseshoe studs. Today we supply innovative fittings to customers in over 120 countries.

 **Houzz** PRO:
Blum Australia

 **Instagram:**
@blumaustralia, #blumaustralia

 **Facebook:**
facebook.com/blumaustralia

 **LinkedIn:**
linkedin.com/company/blum-australia

 **Android App on Google Play:**
Easy Assembly App

 **Available on the App Store:**
Easy Assembly App

 **Tag Us:**
#blumaustralia

**Blum Showrooms
Sydney (Head Office)**

10 Blackbird Close
Len Waters Estate NSW 2170
Ph: 02 9612 5400

Adelaide

179 Railway Terrace
Mile End SA 5031
Ph: 08 8118 6070

Brisbane

6/39-45 Compton Road
Underwood QLD 4119
Ph: 07 3135 9490

Melbourne

245 Ferntree Gully Road
Mount Waverley VIC 3149
Ph: 03 9982 1720

Perth

3/425 Scarborough Beach Road
Osborne Park WA 6017
Ph: 08 6467 0110

Blum Australia Pty Ltd
PO BOX 1615
Green Valley, NSW, 2168
Australia
Toll Free: 1800 179 186
E-mail: info.au@blum.com
blum.com

