

Aquablend[®] Safety TMV



SUITABLE FOR SAFETY
SHOWERS & EYEWASHES



TEPID WATER SOLUTION
FOR AS4775 COMPLIANCE



Aquablend® 9000 Thermostatic Mixing Valve

WORKFORCE SAFETY IS AT THE HEART OF OUR DESIGN

In an emergency situation, every second counts when it comes to minimising the impact of workplace injuries.

Delivering water to emergency showers and eye washes within the recommended temperature guideline of 15.6°C to 37.8 °C (as per AS4775) can be challenging. The Aquablend® 9000 thermostatic mixing valve has been designed to provide a solution to this challenge.

The system is designed to mix hot and cold water which feeds the emergency shower and eye wash. In the case where the hot water shuts down, there is a cold water by-pass function which allows cold flushing fluid to continue to be delivered to the emergency shower or eye wash.



FEATURES

- System includes Aquablend® 9000 TMV (ATMV9000ES - WaterMarked)
- Fully assembled ready to install
- Cold water bypass in the event of hot water supply failure
- Designed for combination emergency shower, eye wash, eye/face wash
- Mounting bracket included
- Stainless steel cabinet option available

Product Codes

- ATMV9000ES** Aquablend 9000 TMV
- ATMV9000CAB** Aquablend 9000 TMV in 316 Stainless Steel Cabinet with Lid

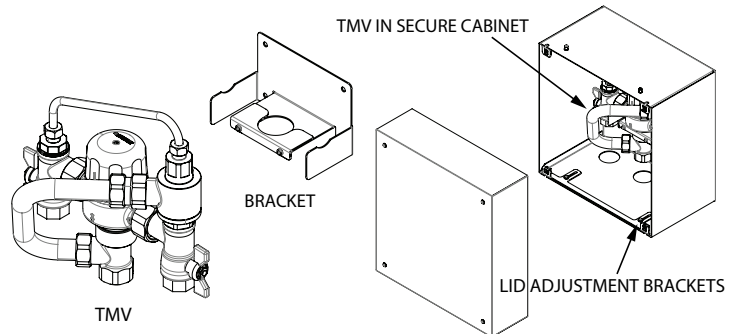
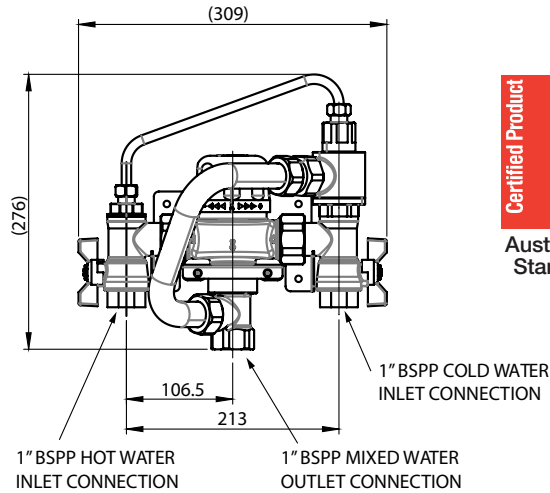
Also available to complement Enware's Safety TMV Range:

Thermal Relief Valves, Anti-Freeze Valves, Thermal Insulation, Alarms and Lighting

Technical Information

Hot Temperature Supply Range	Min. 55°C Max. 85°C
Cold Temperature Supply Range	Min. 5°C Max. 25°C
Adjustable Temperature Range	Full Cold - Max. 37.8°C
Maximum Supply Pressure	1000 kPa
Permitted Supply Pressure Variation * Between hot and cold supply pressures	80 kPa (A larger supply pressure variation can result in the cold water bypass activating)
Operating Temperature Set during installation/ commissioning	15.6 °C - 37.8 °C (+/- 2 °C)
Factory Set Temperature Range	36 °C +/- 2 °C
Minimum Temperature Differential Between hot supply and outlet temperature	15 °C (At outlet temperature greater than 33 °C)
Minimum Flow Rate	15 L/min
Maximum Flow Rate At factory set temperature	112 L/min @ 210 kPa
Maximum Flow Rate - Cold Water Bypass	115 L/min @ 210 kPa

*AS3500.4 clause 1.9.4.2 - The dynamic pressure differential between hot and cold supplies when mixed at a thermostatic mixing valve shall not exceed 10%.



Enware products are to be installed in accordance with the Plumbing Code of Australia (PCA) and AS/NZS3500. Installations not complying with PCA and AS/NZS3500 may void the product and performance warranty provisions.

NOTE: Enware Australia advises: 1. Due to ongoing Research and Development, specifications may change without notice. 2. Component specifications may change on some export models

AUG21V1