



FSS1

HIGH SECURITY SENSORS

The FSS1 Series of high security door monitoring sensor are designed to provide a true high security solution door door positioning monitoring.

It is an award winning, state-of-the-art monitoring solution with a flush mount version for new construction, and surface mount version for new construction, and surface mount version as a superior replacement for traditional magnetic balanced reed sensors.


Specifically developed for high security applications in government, high risk and defence installations, the FSS1 Series high security door monitoring sensor consist of seven magnetic sensors that are used to detect a unique magnetic footprint from an array of magnets on the magnetic face plate. One sensor is used to detect the position of the magnetic face plate in relation to the device, while the other six sensors are used to determine the polarity, size, strength and position of the magnets on the unique magnetic face plate in relation to the memorised pattern.

The sensor is designed to operate on a hinged door swinging in one direction. The FSS1 is equipped with sophisticated anti-tamper facilities. The product is listed in the Australian Government Security Equipment Evaluated Product List (SLEEPL) and UL listed to UL 634.2.

Warranties	
Mechanical	5 years
Electronic	5 years

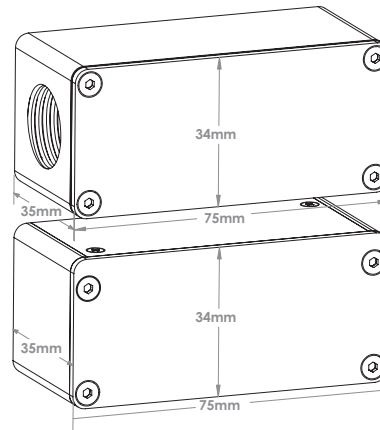
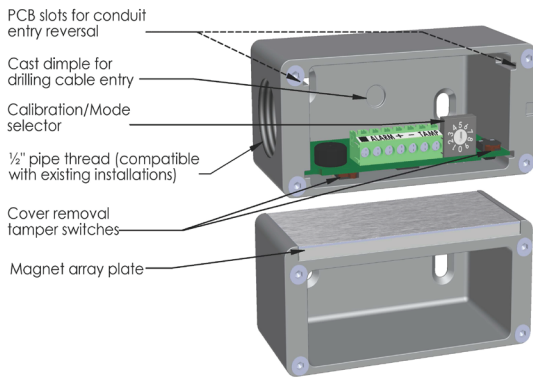


Technical specifications

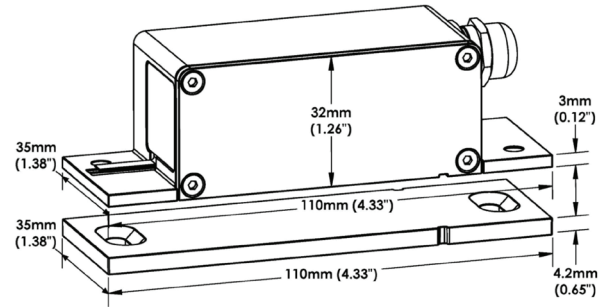
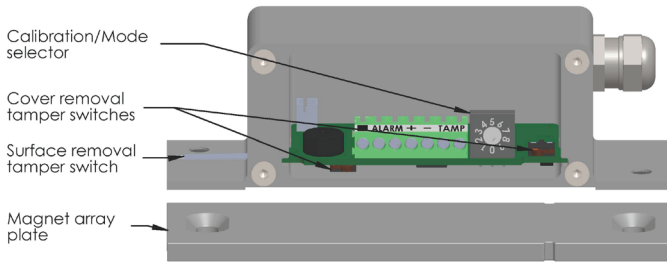
PART NO.	FSS1-S / FSS1-S-NC	FSS1-F
FUNCTION	FSS1-S - Surface mount conduit version FSS1-S-NC -Surface mount no conduit version	Flush mount version (morticed)
VOLTAGE/CURRENT	10 – 30VDC/<10mA - Can now be powered by Type 1/1A and Class 5 E.O.L Modules	
SECURITY LEVEL	SCEC Security Level 4 (SL4) Approved	U.L. 634 Level 2,
ALARM CONTACTS (2)	Circuit board x 1 for alarm, flying lead x 1 for access control etc., both N.O. & common, 0.25A @ 30V	
TAMPER CONTACT (1)	N.C. & common, 0.2A @ 30V	
DOOR GAP	1.5 - 7mm vertical door gap, and up to 15mm door movement for alarm to trigger	
END OF LINE	Space for end-of-line encryption modules, or resistor/s	
APPROVALS	SCEC Security Level 4 (SL4) Approved	 U.L. 634 Level 2 Rated to IP67 RCM Compliant
ARRAY MAGNETS	Up to 8 magnets for unique magnetic footprint	
HALL EFFECT SENSORS	7	
PATENTS	Patents granted and pending worldwide based on PCT/AU2014/000210	
MANUFACTURE	Designed & Manufactured in Australia	

Mounting details

FSS1-S SURFACE MOUNT CONDUIT VERSION FSS1-S-NC SURFACE MOUNT NON CONDUIT VERSION



FSS1-F FLUSH MOUNT VERSION



FSS1 INSTALLATION AIDS

To aid the installation of the FSS1 range FSH has developed a range of brackets and adapters :

- FSS1-L "L" bracket to allow Surface mounted sensor to be mounted on outward opening door
- FSS1-Z45 "Z" for outward opening door equipped with an acoustic seal
- FSS1-ADAPTMAG Adapter plate to suit Sentrol style surface mount reeds
- FSS1-ADAPTSM3 Adapter plate to suit Wells Fargo SM3 balanced reed
- FSS1-ADAPTSM3L "L" adapter plate to suit outward opening SM3 balanced reed