

VON DUPRIN®

88 Series

Exit devices



The Von Duprin 88 Series is a range of push bar exit devices designed to suit single and double door applications. The 88 Series can be used on aluminium, hollow metal or wood swinging commercial doors. Available as rim and surface mounted vertical rod devices.

The 88 Series has an architectural look, differing from the push-pads and has the added advantage of being field sizeable to suit doors as narrow as 600mm.

Features

- Non-handed
- Field sizeable to accommodate a range of door openings
- Rim device has latch with 19mm throw and suitable for doors 600mm to 1220mm wide
- Vertical rod device has latch with 16mm throw and suitable for minimum door width of 600mm
- Optional external trims available for key access



Warranties	
Mechanical	10 years

Specification guide

Code prefix	Model	Length	Finish
VD	Rim device..... 88EO Vertical rod device8827EO	1220mm 1200	Satin chrome plate SCP

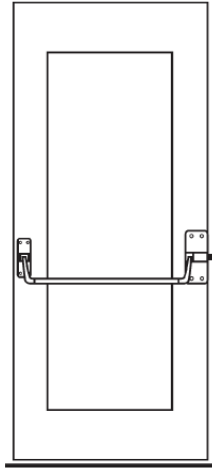
- Code prefix
All codes are prefixed with VD
- Model
Select the desired model e.g. Rim device VD88EO
- Length
Select the desired length e.g. 1220mm VD88EO-1220
- Finish
Select the desired finish e.g. Satin chrome plate VD88EO-1220SCP

Applications

Single door VD88EO

88 Rim device

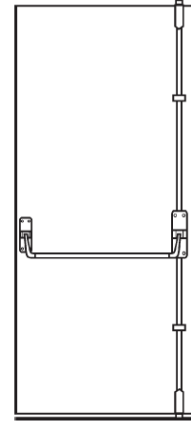
Minimum stile width 111mm with standard 299 strike



Single door VD8827EO

8827 Vertical rod device

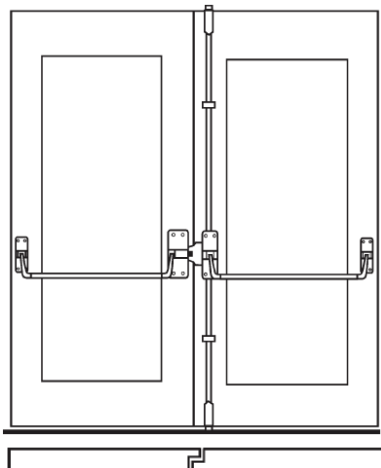
Minimum stile width 71mm



Double rebated door VDDR88

88 Rim device, 8827 vertical rod device, 1609 strike

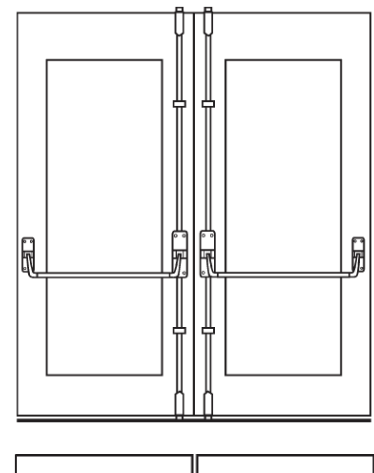
Minimum stile width 117mm



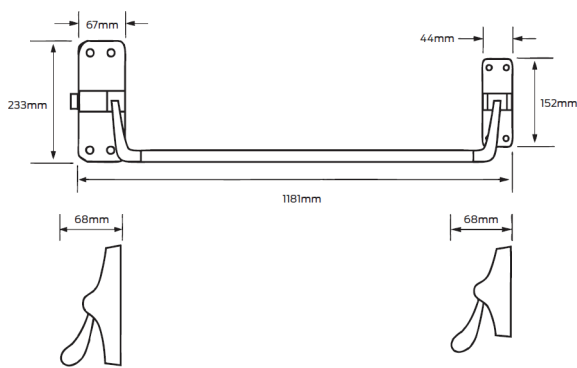
Double non-rebated door VDDD8827

2 x 8827 Vertical rod device

Minimum stile width 64mm



VD88EO Exit Only Rim Device



Features

- Suitable for all types of single doors
- Can be used in conjunction with an 8827EO surface mounted vertical rod device and 1609 strike for double rebated door applications
- When 88EO is used in conjunctions with 8827EO and 1609 strike on double rebated doors, the minimum stile width is 117mm
- Field sizeable to accommodate a range of door openings
- Single point locking device, with a 19mm throw latch
- The hex key dogging allows the latch to be held in a retracted position
- A dull black 299 strike is furnished with the device
- Device supplied with all fixing hardware and hex dogging key

Finish



SCP

Satin Chrome
Plate

Specifications

Device projection	121mm (102mm depressed)
Crossbar length	1067mm - field sizeable
Lock style case	233mm x 67mm x 24mm
Hinge style case	152mm x 44mm x 24mm
Crossbar tubing	25mm diameter
Door thickness	Combination of fasteners are furnished for surface mounting or through bolting Surface mounted - 19mm minimum Through bolt - 44mm to 57mm
Stile width	111mm minimum with standard 299 strike 100mm minimum with optional 1606 strike
Door width	600mm minimum
Door height	2134mm standard. Extension rods available for door heights up to 3050mm.
Handing	Reversible
Latch	19mm throw
Dogging	Hex key dogging

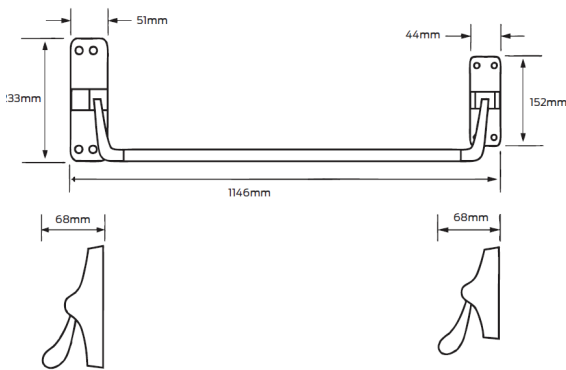
Testing and Compliance



Fire rated: Tested on fire door assemblies in accordance with Australian Standards, refer fire door manufacturer for specific approval details.

VD8827EO Exit Only Surface Mounted Vertical Rod Device

Features



- Suitable for all types of single doors
- Can be used in conjunction with an 8827EO surface mounted vertical rod device and 1609 strike for double rebated door applications
- For rebated double door applications, the 8827EO should be used in conjunction with an 88EO rim device and 1609 strike
- When 88EO is used in conjunctions with 8827EO and 1609 strike on double rebated doors, the minimum stile width is 117mm
- Field sizeable to accommodate a range of door openings
- Multi-point locking device, with a 16mm throw top and bottom latch
- The hex key dogging allows the latch to be held in a retracted position
- Supplied with 248L-4, 299, and 304L strikes as standard
- Optional outside trim available

Finish



SCP

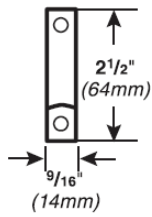
Satin Chrome
Plate

Specifications

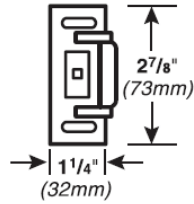
Device projection	121mm (102mm depressed)
Crossbar length	1067mm - field sizeable
Lock style case	233mm x 67mm x 24mm
Hinge style case	152mm x 44mm x 24mm
Crossbar tubing	25mm diameter
Door thickness	Combination of fasteners are furnished for surface mounting or through bolting Surface mounted - 19mm minimum Through bolt - 44mm to 57mm
Stile width	71mm minimum on single door 64mm minimum on double non-rebated door set
Door width	600mm minimum
Door height	2134mm standard. Extension rods available for door heights up to 3050mm
Handing	Reversible
Latch	19mm throw
Length	1146mm
Dogging	Hex key dogging

Suitable strikes for VD8827EO

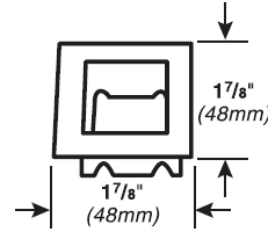
248L-4



299

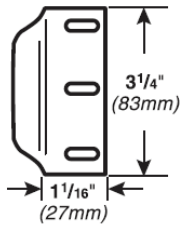


304L

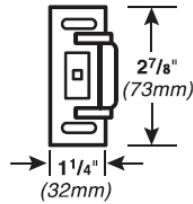


Suitable strikes for VD88EO

1609



299



88 Series accessories

Vertical extension rods

For doors over 2134mm high. Available in either 305mm or 914mm lengths. Rods are field sizeable

Finish: Satin chrome plate



Rod Extension Assembly

Hex dogging key

Dogging key supplied standard with all exit device with dogging feature.

