

Platinum Series[®] Aluminium Cladding System



Platinum Series[®] is a premium solid aluminium cladding solution which is designed, engineered and fabricated to enhance any building exterior. This highly versatile series requires early engagement with Louvreclad's design consultants to ensure a successful outcome that is detailed to suit your design concept.

Distinctive Features:

- Standard or bespoke designs available
- Solid Aluminium Plate
- Concealed fixing options available
- Powdercoat or anodise finish
- Bespoke sub-framing and fixing systems
- Compatible with Louvreclad Ascot and Polaris Series[®]

Attention to Detail:

- 3mm-8mm aluminium plate - curved or straight
- Rain Screen Cladding System
- Designed, engineered and certified
- Non Composite
- Non Flammable
- Non Combustible
- AS 1530.3 Test Certificate
- Corrosion resistant
- Low Maintenance



NON COMBUSTIBLE CLADDING



Thinking outside for inside performance



visit louvrecld.com phone 1300 165 678

DRAFT SPECIFICATION

Louvreclad Platinum Series® 3mm-8mm Premium Solid Aluminium Cladding which is designed, engineered and fabricated to suit the intent.

The rain screen cladding system is suited to Government, Health, Education, Community and Public Commercial buildings.

Bespoke Design

Sub-framing and fixing system are designed and engineered to suit each project.

Custom applications can include folded, welded, laser cut, punched, prefabricated and modular construction.

Installation and Mounting

Installation and mounting details will be designed in accordance with proprietary systems and recommendations as designed and manufactured by Louvreclad Pty Ltd.

Phone: 1300 165 678 Email: sales@louvrecad.com

Base Material Options

- Aluminium available in various grades to suit the finish

Finishes Available

- complete powder coated range
- complete anodised range

Typical Detail

Aluminium Panels custom designed to suit the project. [WxH] with fixings at centres. Proprietary cladding support system will be fixed to structural steel support posts [By others]

Warranties & Certification

- Powder coat / Anodise manufacturer's warranty
- Louvreclad standard one-year workmanship warranty.
- Extended Warranty available (POA)
- Engineering Certificate to be supplied (Form 15+16)
- Non-combustible AS 1530.3 Test Certificate

EARLY CONTRACTOR INVOLVEMENT

Early Contractor Involvement (ECI) can save time and money, while ensuring the best outcome.

Whether it is a highly bespoke & complex brief that requires testing & prototyping or a simple design needing clarification around detailing, to achieve a high-end premium finish, attention-to-detail is essential.

Get in touch with one of our experts at design stage and guarantee the success of your project.

RE-CLADDING SOLUTION

Flammable cladding is a global concern amongst the construction industry and the general public. Re-cladding is about all about safety and replacing any flammable cladding with a safer non-combustible solution that complies with the Australian safety standards and legislations. Louvreclad Platinum Series® is a bespoke solid aluminium plate non-combustible cladding system that complies with these standards.

How can I trust that it is fire-safe cladding?

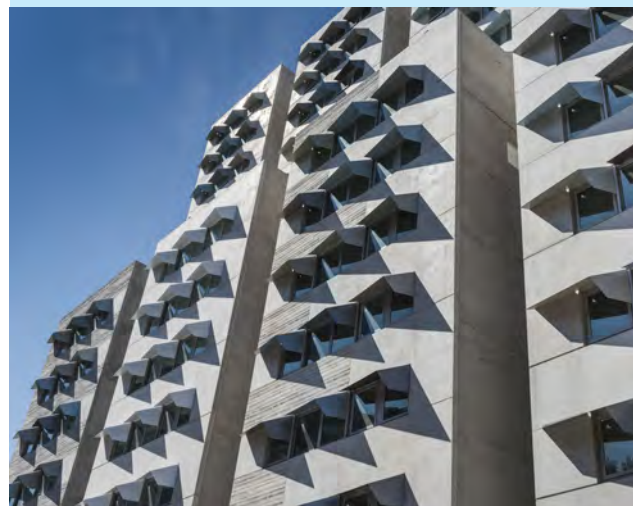
The Building Code of Australia NCC 2016 C1.9 states:

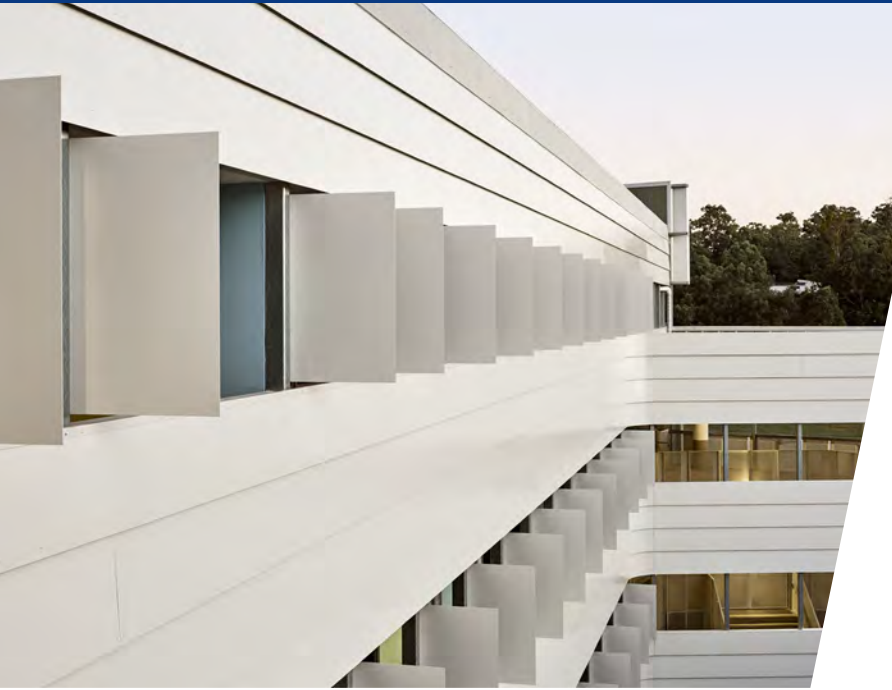
(e) The following materials may be used wherever a non-combustible material is required:(v) Pre-finished metal sheeting having a combustible surface finish not exceeding 1 mm thickness and where the Spread-of-Flame Index of the product is not greater than 0.

All trusted solid aluminium cladding suppliers should provide AS1530.3 test certificate from their powder coating manufacturer confirming spread of flame as zero.

Let Louvreclad help with your next façade rectification project

Louvreclad's design team would love to discuss the design potentials and benefits of Platinum Series®, certified non-combustible solid aluminium cladding with you. With a passion for pre-fabrication and modular construction, we will team you up with the right set of experts to ensure the most economical solution for your project.





INDOOROOPILLY STATE HIGH SCHOOL SECONDARY LEARNING CENTRE

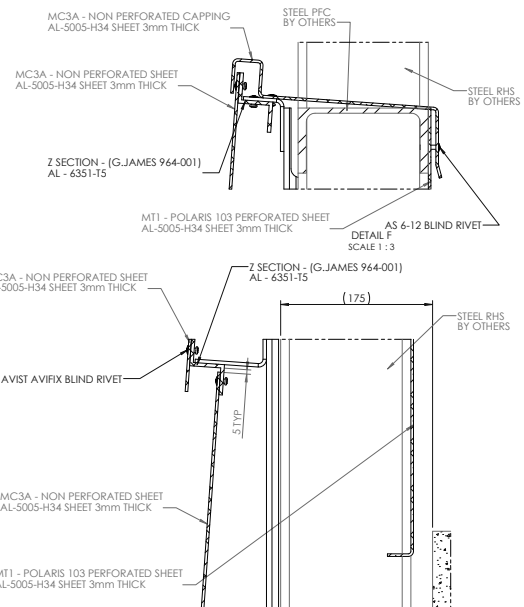
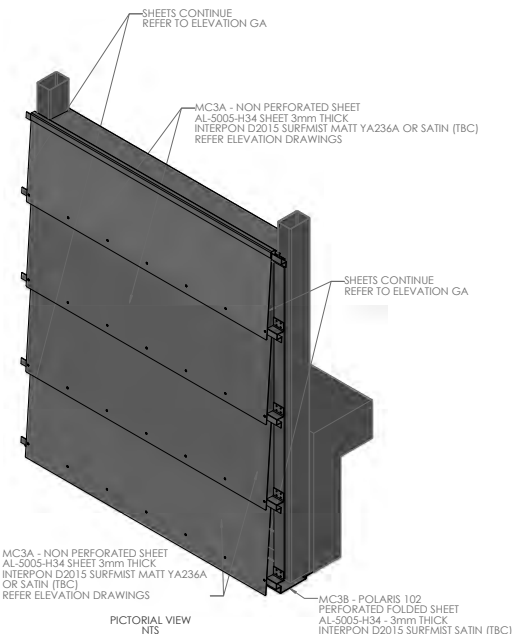
Louvreclad Platinum Series® 3mm solid aluminium custom fabricated rain-screen cladding system.

Designed, engineered and certified cladding and vertical sun shades to suit the architectural design intent.

A horizontal linear aesthetic, referencing the weatherboard language synonymous with the heritage of schools in Queensland.

Builder: Adco Constuctions

Architect: Hayball Pty Ltd



General Assembly Drawings available on request



GEOFF HANDBURY SCIENCE AND TECHNOLOGY HUB, MELBOURNE GRAMMAR SCHOOL

Louvreclad Platinum Series® 4mm solid aluminium custom fabricated rain-screen cladding system.

These powder coated aluminium panels were designed and fabricated to suit the concept referencing the bluestone walls found on the original site. The undulating façade included multiple radius's, varying reveals and nearly 10,000 individually fabricated straight, folded and curved panels manufactured in our QLD factory to be packed and shipped to Victoria.

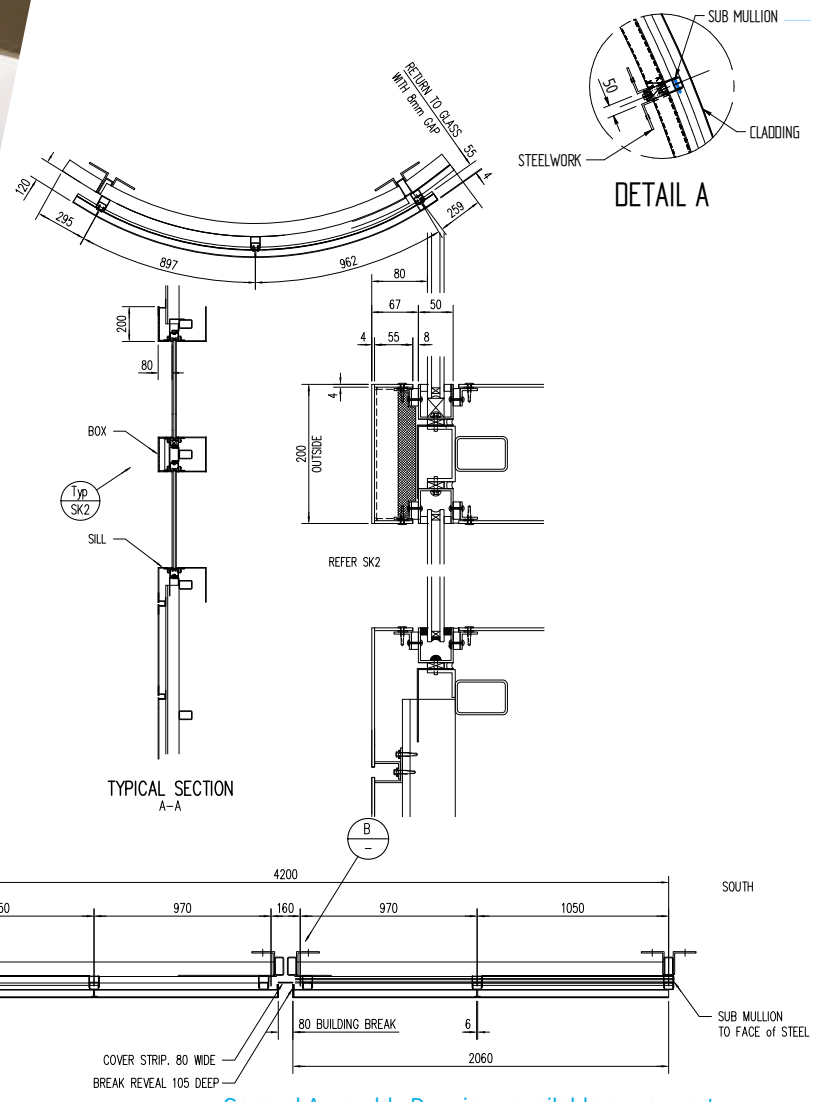
- 4mm Solid Aluminium Cassette Cladding
- Rainscreen cladding system
- Bespoke design to create a floating aesthetic
- Non-Combustible

Finish: Interpon D3020 – Fluro carbon 'Dark Storm'

Builder: KANE

Architect: Denton Corker Marshall

Facade Engineer: BG & D Facade Consultants





UOW STUDENT ACCOMMODATION NORTHFIELDS

Louvreclad's investment of time and energy in assisting Hutchinson Builders has paid off, resulting in the design and development of bespoke sunhoods that have been seamlessly integrated into the facade.

Though building prototypes and providing key design input in collaboration with the cladding and window subcontractor; Engineer, architect and builder, were able to successfully achieve the design intent and produce this successful outcome at UOW Northfields.

The 3mm aluminium custom designed window hoods were installed across 7 storeys of the building creating visual impact and delivering effective sun control, shading and delivering an effective bird deterrent.

Two-tone colours were used on each windowhood to reflect the innovative vibrant culture of the University.



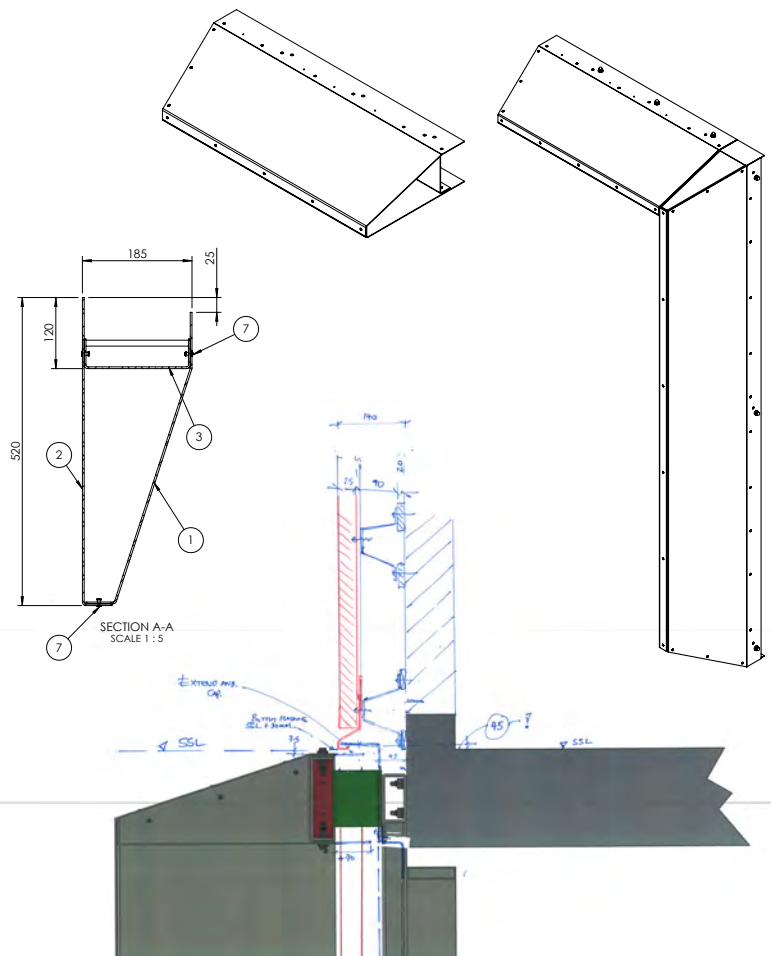
Finish: Dulux Monument Satin 9007307S

Intensity Moonlight Satin 9002004S

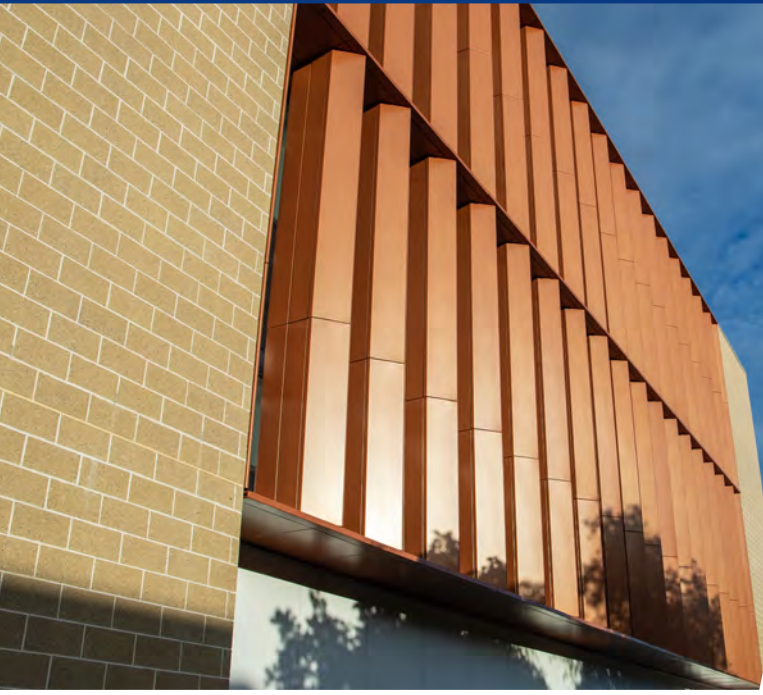
Precis Natural Shimmer Matt GY21AA

Builder: Hutchison Builders

Architect: Group GSA



General Assembly Drawings available on request



ST AUGUSTINE GOULD & LECCETO EXTENSION, BROOKVALE NSW

Louvreclad Platinum Series® 3mm solid aluminium custom fabricated rain-screen cladding system.

FJMT's design concept called for a 750mm deep bespoke aluminium vertical fin fixed between 1m deep horizontal sunshades with a very solid aluminium aesthetic.

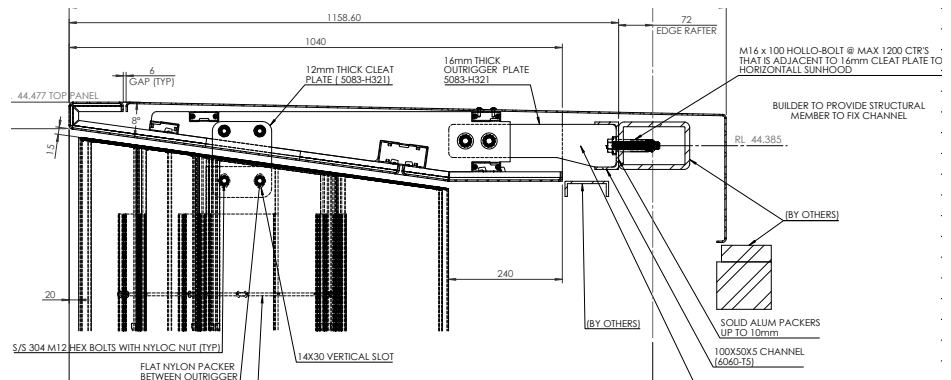
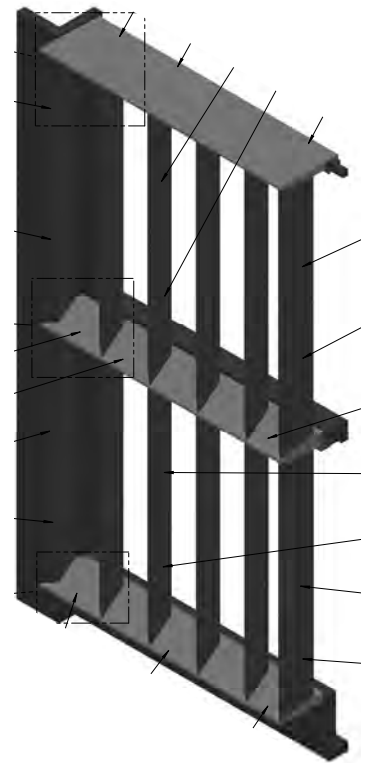
Our bespoke solution included an engineered aluminium structural rib cage, clad in 3mm powder coated folded aluminium with no visual fixings or open joints.

Concealed fixings were ensured by folding the aluminium to form a hook that hooked and snapped securely into the allocated slot in the rib structure.

Finish: Interpon D2015 Copper Penny Matt

Builder: Novati Constructions

Architect: FJMT



General Assembly Drawings available on request



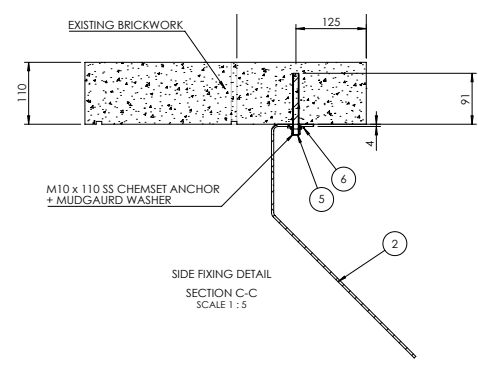
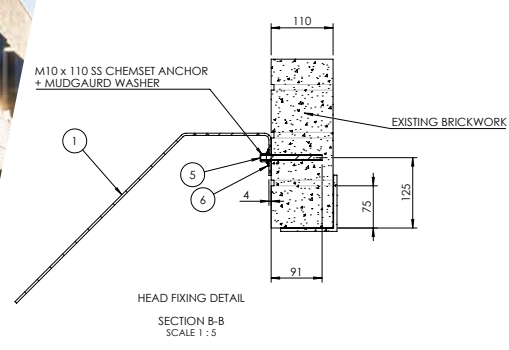
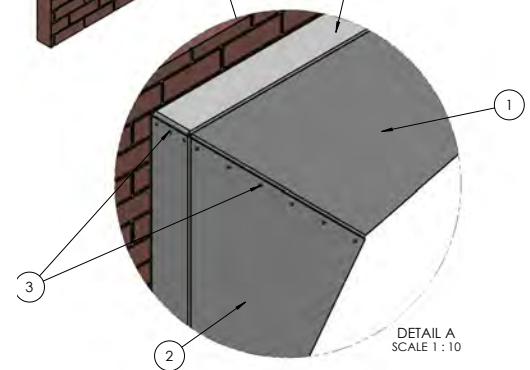
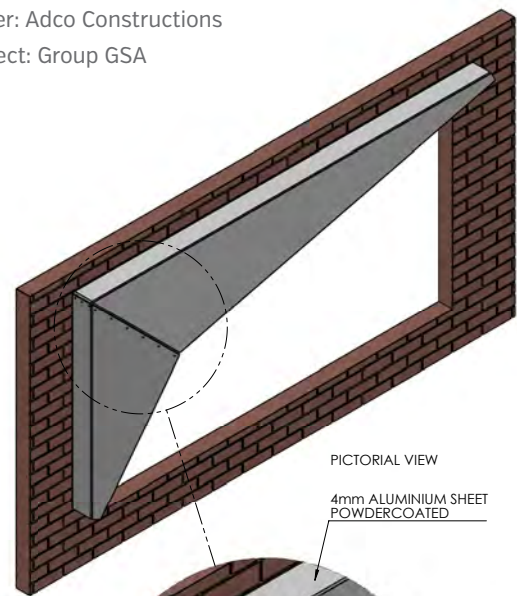
BUPA AGED CARE, QUEENS PARK NSW

Platinum Series[®] 4mm Solid Aluminium custom fabricated Sun Hoods

Powder coated aluminium was folded to create these origami like window hoods with discreet fixings to ensure a floating aesthetic.

- Finish: Interpon Monument Matt
- 4mm folded Aluminium Sunhoods
- Bespoke design to create a floating aesthetic
- Non-Combustible

Builder: Adco Constructions
Architect: Group GSA





WAURN PONDS POLICE & SES COMPLEX, VIC

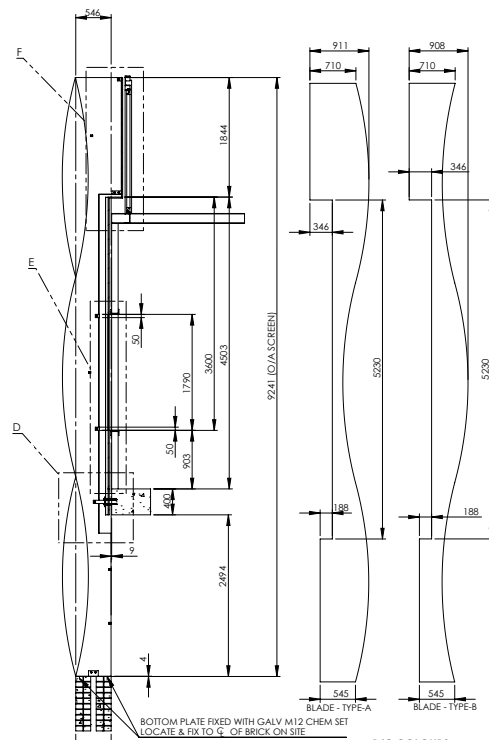
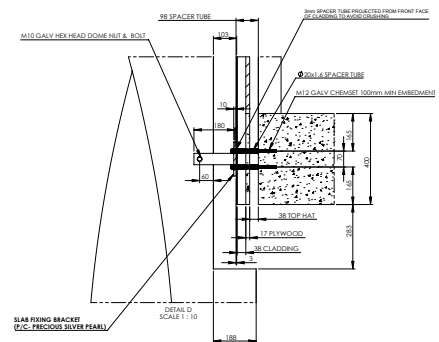
Louvreclad Platinum Series® 6mm solid aluminium laser cut vertical sun blades.

Spanning over 9m up the building and fixed with alternate curves to produce a twisted fin aesthetic.

These extra-large vertical sun blades were designed and engineered to include a discreet support structure that ensured rigidity while maintaining the continuous look up the building. Powder coat finished in Dulux Alphatec, Navy, Pommel Blue, Blaze blue, French Blue, and Bright White to match the brand of the Victorian Police Force.

- 6mm Solid Aluminium Laser Cut Sun Blades
- Bespoke design to create a floating aesthetic
- Non-Combustible

Builder: Lyons Constructions
 Architect: STRATA PNA Architects

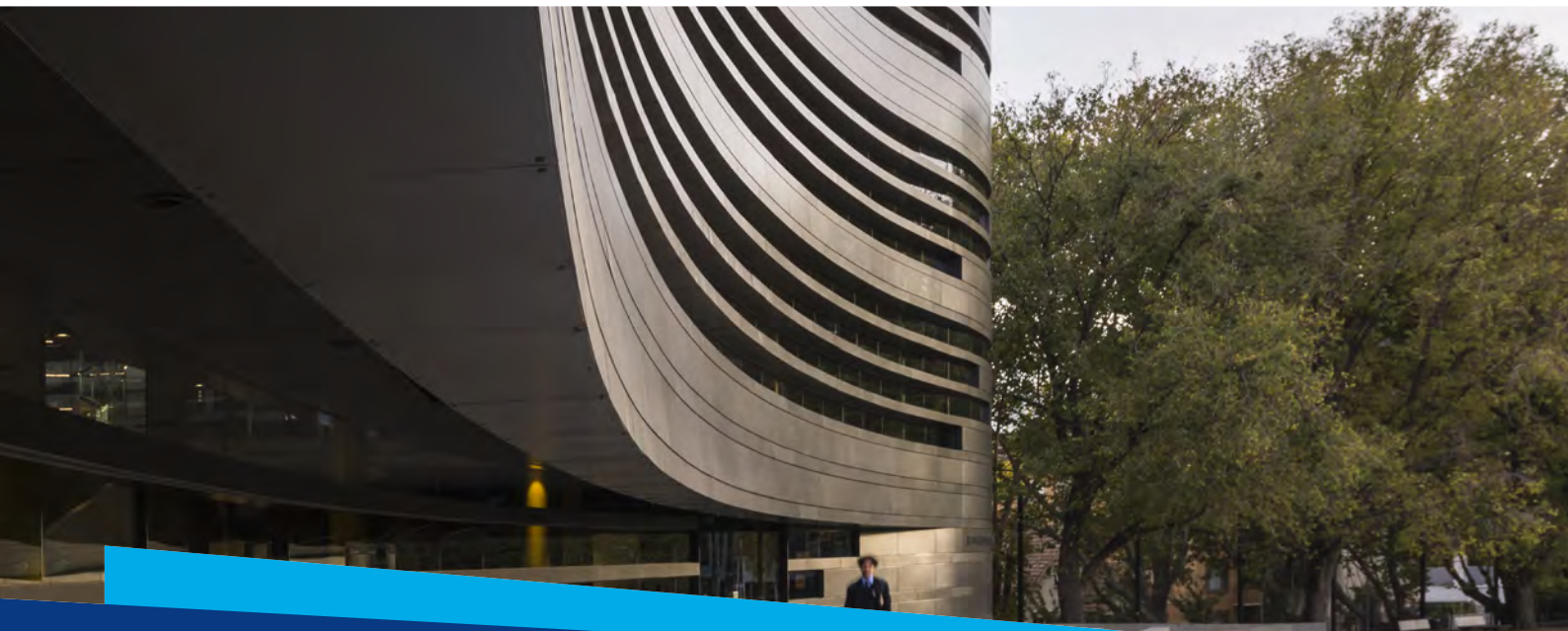


P/C COLOURS:
 1. DARK BLUE.
 2. MID BLUE.
 3. VIVID BLUE.
 4. LIGHT BLUE.
 5. WHITE.





CLADDING



i WOULD YOU LIKE TO KNOW MORE?

If you have any questions about this product, or if you would like to speak to a member of our expert team about how we can tailor a solution for you, call: **1300 165 678** or visit: **louvreclad.com**