



# Kemlan XL

A Powerful Performer



Proudly manufactured in Australia by Kemlan Industries

With a peak heat output of 21.6kw and average high burn output of 14.6kw the Kemlan XL is sure to impress with its powerful performance pedigree. The large viewing area which remains clean throughout the length of the fire, large firebox with 6mm and 8mm steel robust construction, ensures your Kemlan XL will keep you warm and cosy for many years to come.

### Features

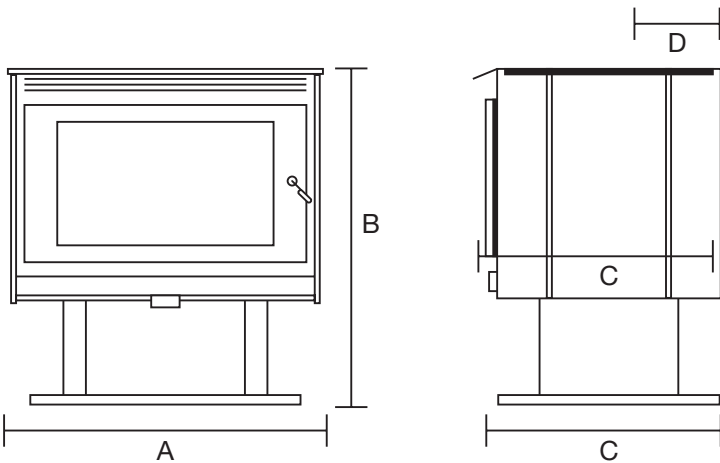
- Clean burning 2.0gms/kg emissions
- High efficiency Average 61%
- Firebrick-lined floor with ceramic sides and baffle plate and 8mm steel back plate for a robust and durable firebox
- The large clean ceramic glass-viewing area features a preheated primary airwash system which ensures a clean view of the fire
- Heating capacity 25-35 squares
- Comes in standard colours: Black and Charcoal  
Optional colours are: Metallic Black and Titanium at an additional cost
- Complies with AS 4013 and AS 2918
- Proudly made in Australia
- 10 year warranty\*

Decromesh heat shield. Choose from stainless steel or a range of colour options.

Semi circle black granite hearth.

Pictured on front page:  
Corner cut black granite hearth.

\*Excludes rust damage

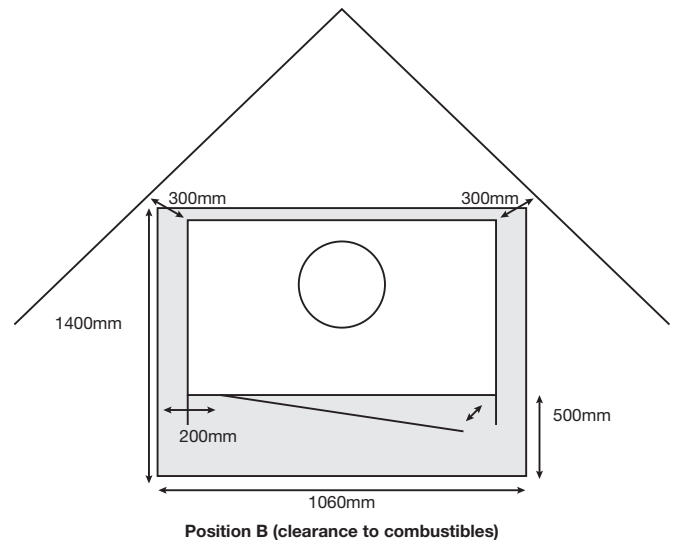
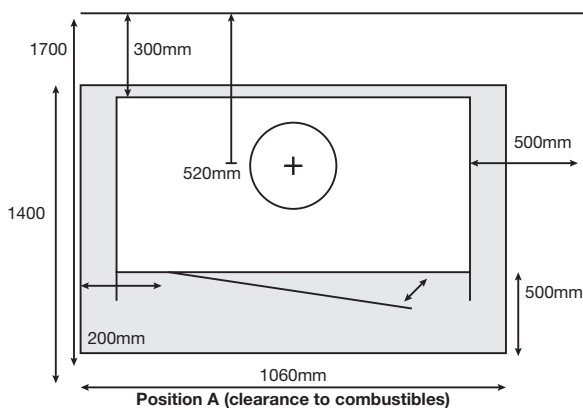


A = Width 785mm      C = Depth 603mm  
B = Height 838mm    D = Depth (Centre of Flue to back) 216mm  
Viewing area 602mm W x 302mm H

### Performance Table for Kemlan XL (Tested by HRL Laboratories)

BURN	AVERAGE POWER (kw)	AVERAGE PEAK (kw)	FUEL CONSUMPTION (kg/hr)
HIGH	14.1	21.6	4.4
MEDIUM	11.2	NA	3.3
LOW	8.8	NA	2.5

Average efficiency 61%. Average emission 2.0gms/kg



Call into your local Kemlan Dealer



Proudly manufactured in Australia by Kemlan Industries  
13 French Ave, Brendale Qld  
Phone 07 3263 8488  
sales@kemlan.com.au

[www.kemlan.com.au](http://www.kemlan.com.au)

Kemlan is a subsidiary of Jetmaster Fireplaces Australia P/L  
Kemlan Industries Pty Ltd ABN 43 003 209 961