

ARCHITECTURAL GRATES + DRAINS



Stormtech

™



Grate innovation.



Slimline **by Stormtech.**

WELCOME

The Slimline series is a patented, Australian designed and made linear grated drain system that can be used anywhere a high performance, high quality contemporary style drainage solution is needed.

Stormtech grates are made of stainless steel and are manufactured in Australia to ensure consistent high quality and timely supply.





**Grate
versatility.**

ARCHITECTURAL AND RESIDENTIAL

Balconies

Bathrooms

Courtyards

Doortracks

Driveways

Paved Areas

Patios

Pools

Suspended Slabs

Thresholds

Wet Areas



A narrow profile and high efficiency lineal drainage system that creates an aesthetically pleasing solution to the traditional grated drain.

The quality finish, blends well with designed contours and suits a variety of surfaces including pavers, tiles, concrete and vinyl.



**Grate
versatility.**

COMMERCIAL PROJECTS

Airports

Carparks

Parks and Playgrounds

Public Areas

Sporting Grounds

Gymnasiums

Thresholds

The range of Stormtech Slimline products are suitable for many commercial purposes and large-scale outdoor applications.

Aesthetically pleasing, they provide extreme efficiency and ease of access in high traffic areas.





**Grate
simplicity.**

HOSPITALS AND AGED CARE

Bathrooms

Doortracks

Dining areas

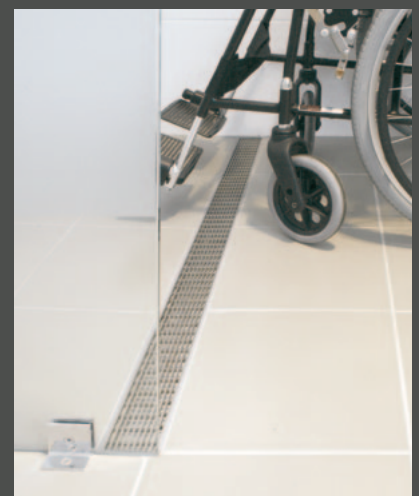
Outdoor areas

Showers

Thresholds

Originally designed for those with special needs, Stormtech Slimline grates allow hobless entry to the shower and more room to manoeuvre in the bathroom. The shower floor falls in one direction, giving greater stability to a wheelchair or stool, and avoids rocking.

Stormtech Slimline grates allow disabled people a greater self-sufficiency in the bathroom.



**Grate
innovation.**

HOSPITALITY

Bars and Restaurants

Bathrooms and Showers

Hotels and Resorts

Kitchens

Pools

Thresholds

Unique in their efficiency and versatility, Stormtech grates are ideal for new construction as well as retrofitting during renovation.

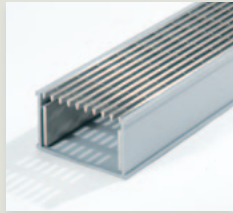
Providing a beautiful finish and ease of access for architectural requirements.



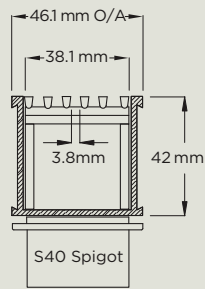
PRODUCT RANGE

ARG Series

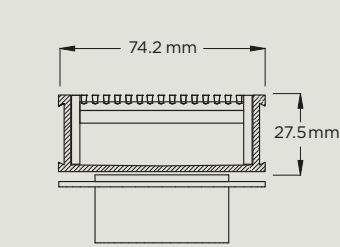
Modular site finish system, wedge wire grate, manufactured from 316 grade stainless steel combined with a UPVC channel.



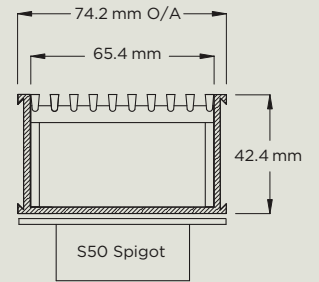
Available in kits or individual components.



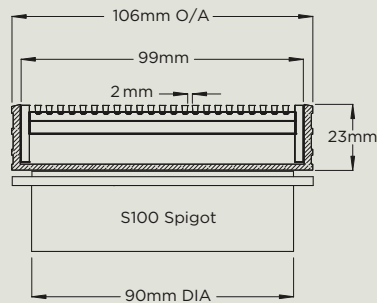
38ARG



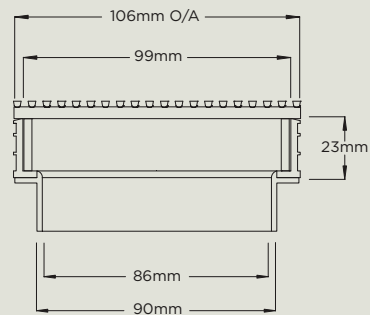
65ARG25



65ARG40



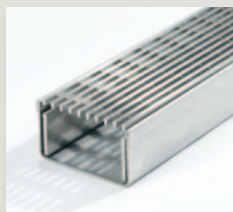
100ARG20



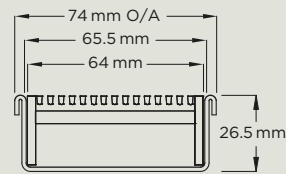
100ARG30

ARI Series

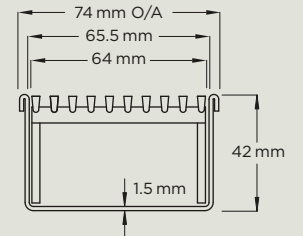
All stainless steel, modular product. Featuring a stainless steel grate and stainless channel.



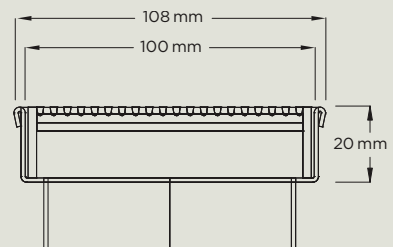
Available in kits or individual components.



65ARI25



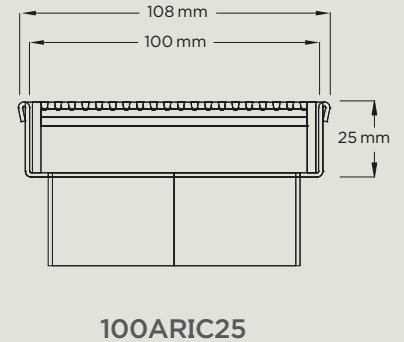
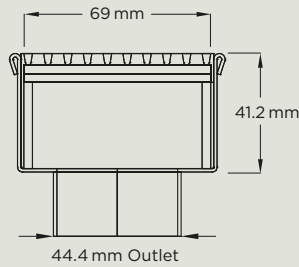
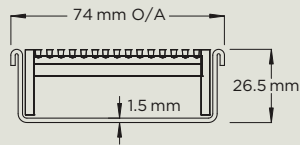
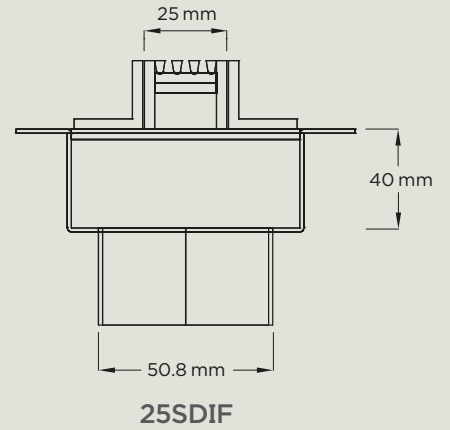
65ARI40



100ARI20

ARIC Series

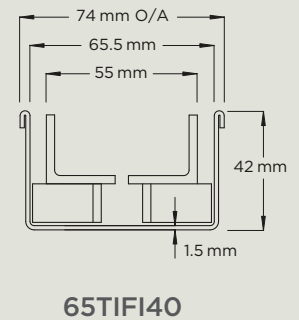
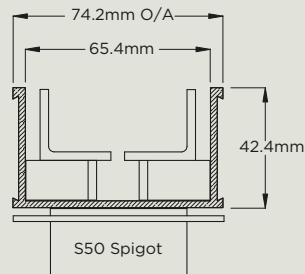
The ARIC Series is a fully finished ready to install all stainless featuring a wedge wire architectural stainless steel grate and channel manufactured from 316 marine grade. Available in 25mm, 65mm and 100mm wide.



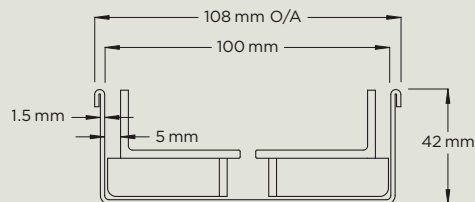
Available in kits or individual components.

TIF Series

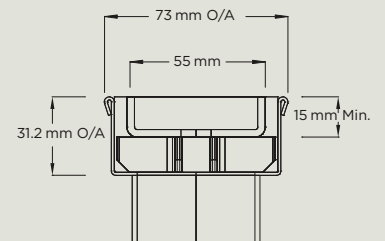
Featuring a 316 grade stainless steel tile insert frame, the TIF series is designed to blend the drainage system perfectly with your chosen solid surface finish.



65TIFG40



100TIFI40
(Custom Fabrication)



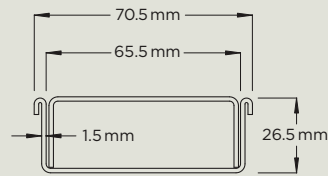
65TIFI30

Available in kits or individual components.

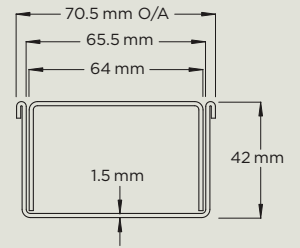


PS Series

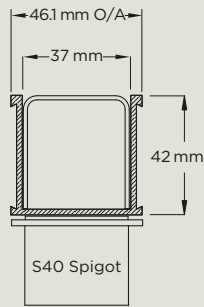
Featuring a stainless steel slot perforated grate combined with a UPVC or stainless channel.



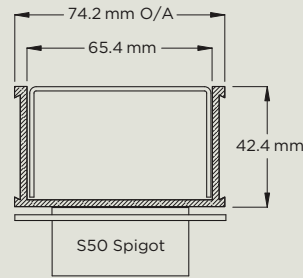
65PSI25



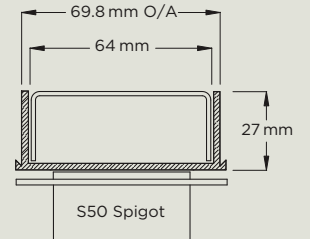
65PSI40



38PSG



65PSG40

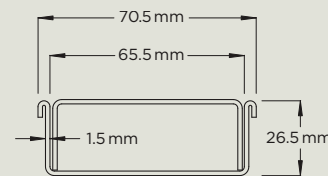


65PSG25

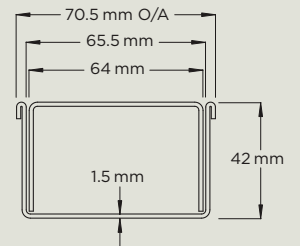
Available in kits or individual components.

PH Series

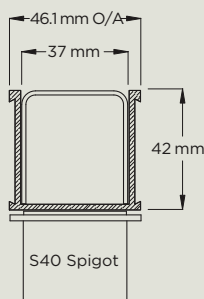
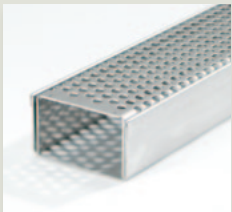
Featuring 316 grade stainless steel circular hole punched grate, combined with a PVC or stainless steel channel.



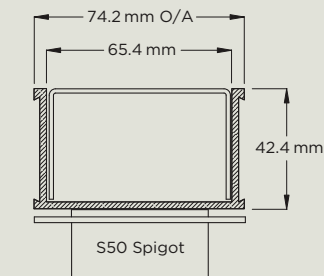
65PHI25



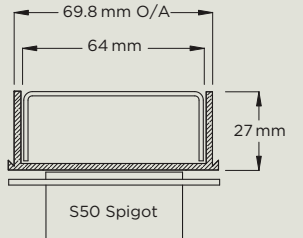
65PHI40



38PHG



65PHG40



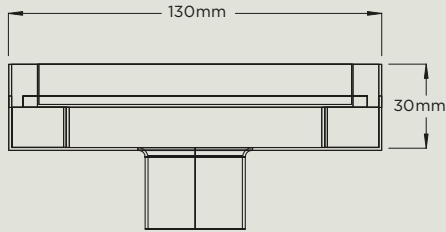
65PHG25

Available in kits or individual components.

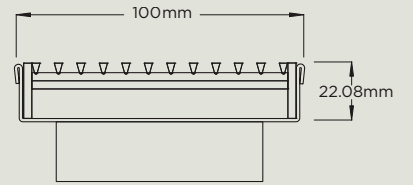
SQ Series



A more traditional square drain, manufactured from 316 grade stainless steel. Available with an architectural wedgewire grate, or a tile insert frame to incorporate any chosen tile or solid floor surface material.

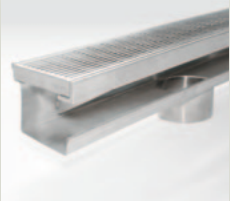


SQ100TIF

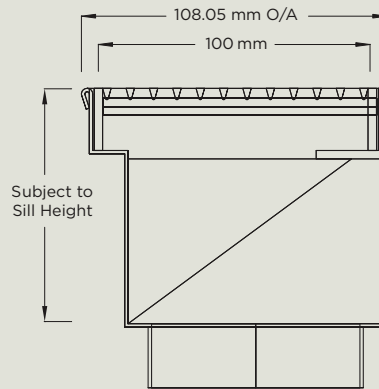


SQ100AR

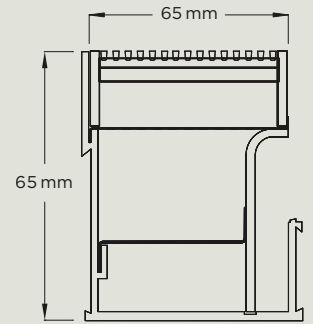
Threshold Series



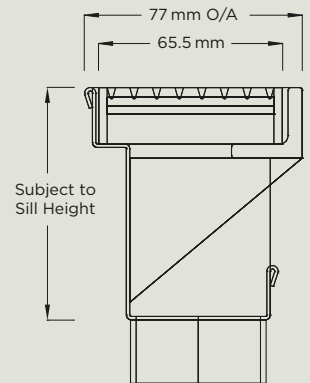
Featuring a linear stainless steel architectural, wedgewire grate, with an integrated concealed channel section which connects all sub sill sections for doortracks and thresholds. Allows doorsills to be drained while having internal and external floor surfaces with zero stepdown.



100TDI



65TDG



65TDI

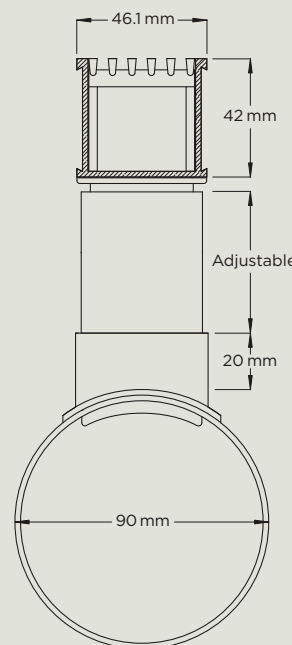
Special Assembly



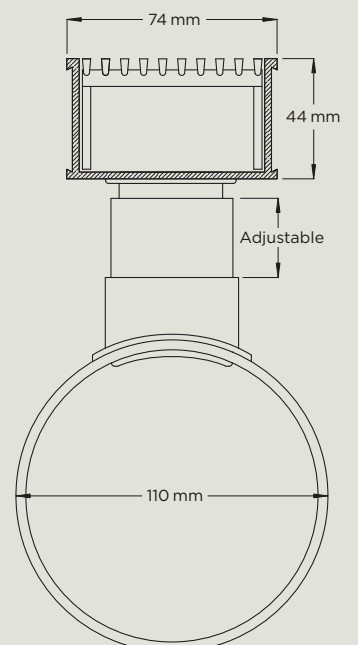
The Special Assembly series has been developed for high capacity drainage needs, providing greater flexibility in landscape and pool design.

Utilising a UPVC channel connected via downpipes at 200mm intervals to sockets in the drain pipe below.

This drainage system is available in 38mm and 65mm width top channel. It is then completed with a stainless steel grate from the AR, PH or PS series, as a separate item.



38G90

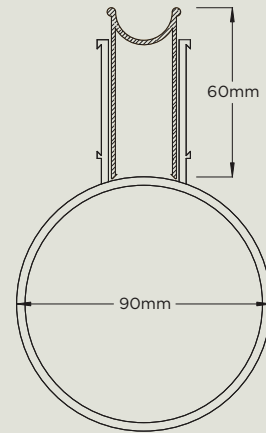


65G100

Slot Drain

Ideal for stormwater run-off and surface water drainage around driveways, paved areas, sporting areas and garden edges.

The original Stormtech Slot Drain features a 25mm opening, draining into a concealed 90mm drainpipe.

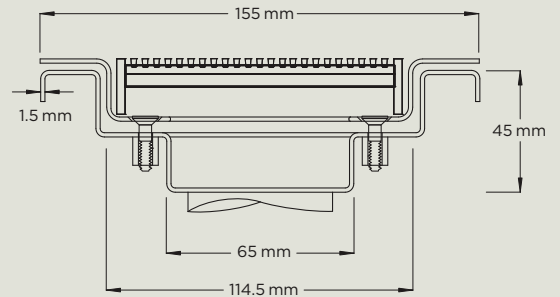


Slot Drain

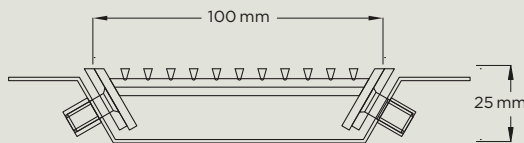
Vinyl Clamp

Allows lineal grate use in a vinyl floor environment. Suitable for hospitals, commercial kitchens, schools, etc.

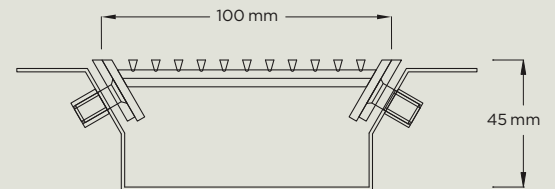
Stainless steel channel and screwdown flange mechanically clamp the vinyl beneath.



VC155-45



VC155-20

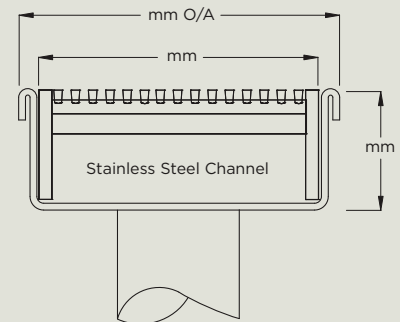


VC100-42

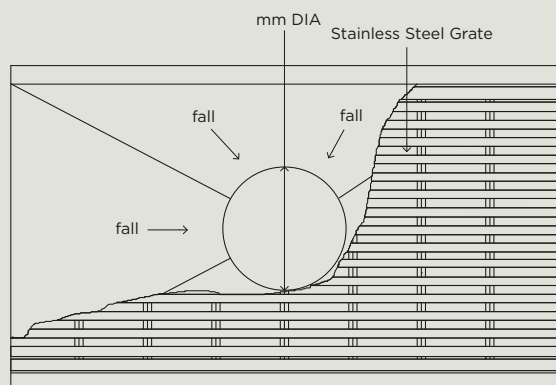
Custom Design

For site specific needs or unusual situations, Stormtech can customise any drainage requirements to achieve maximum efficiency.

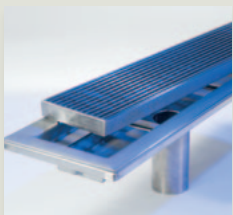
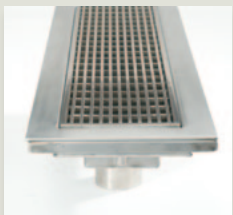
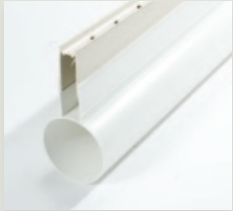
To create a luxurious ambience, a waterproof LED strip can be fitted to any Stormtech grate.



CHANNEL



OUTLET



PRODUCT DETAILS

For full product details, including assembly and installation information, visit our website.

DISTRIBUTORS

To find a distributor near you, please visit our website or call our office.

TECHNICAL DRAWINGS

To assist planning your project we provide complete CAD files for download from our website.

www.stormtech.com.au