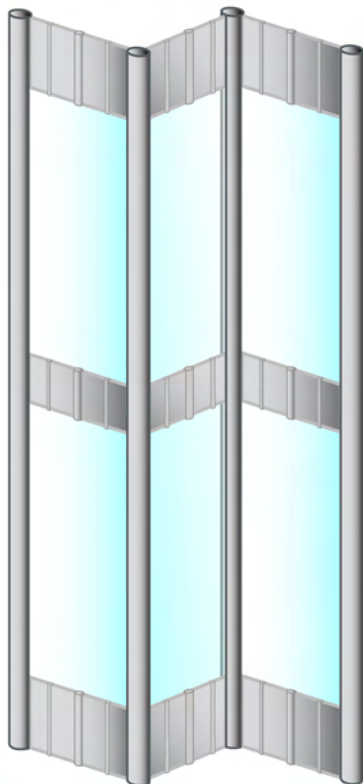


# ACCORDION

## BI FOLDING SIDE OPENING DOOR



### Sound & Security

The Accordion Side-folding door creates more flexibility in shop front doors & shutters. Designed to suit any opening size, the Accordion, as manufactured by LSSA is the product of choice for: shopping centres & retail stores, arcades, sporting complexes, clubs & bar counters, in fact 'the sky's the limit' with its applications.

- New superior locking design
- Wider range of Infill Panel styles available
- New tracking system offers ease of operation

 **LSSA**<sup>®</sup>  
Louvers & Shutter Systems Australia

**Suppliers of:**  
• Door & Gate Automation  
• Logic Controllers  
• Barrier & Traffic Control Equipment  
• Intercom Systems  
• Window & Louvre Automation  
• Access Control Solutions



An ACDC Motorized Solutions Group Company

## Specifications

**OPENING SIZE:** The Accordion Side Opening door has a maximum height of 4200mm, and can extend across any opening width.

**PANEL SIZE:** Constructed from specially extruded aluminium sections with an interlocking hinge allowing 175° movement which makes the panels concertina and stack together. The panels have a width of 270mm.

**PANEL INFILL:** The Accordion comes standard with 3mm polycarbonate transparent infill panels, allowing clear visibility through the door.

Alternative infill options are;

- 3mm Toughened glass infill
- Solid aluminium infill
- Steel sheeting with ventilation perforations (different styles of perforations are available giving various amounts of ventilation)

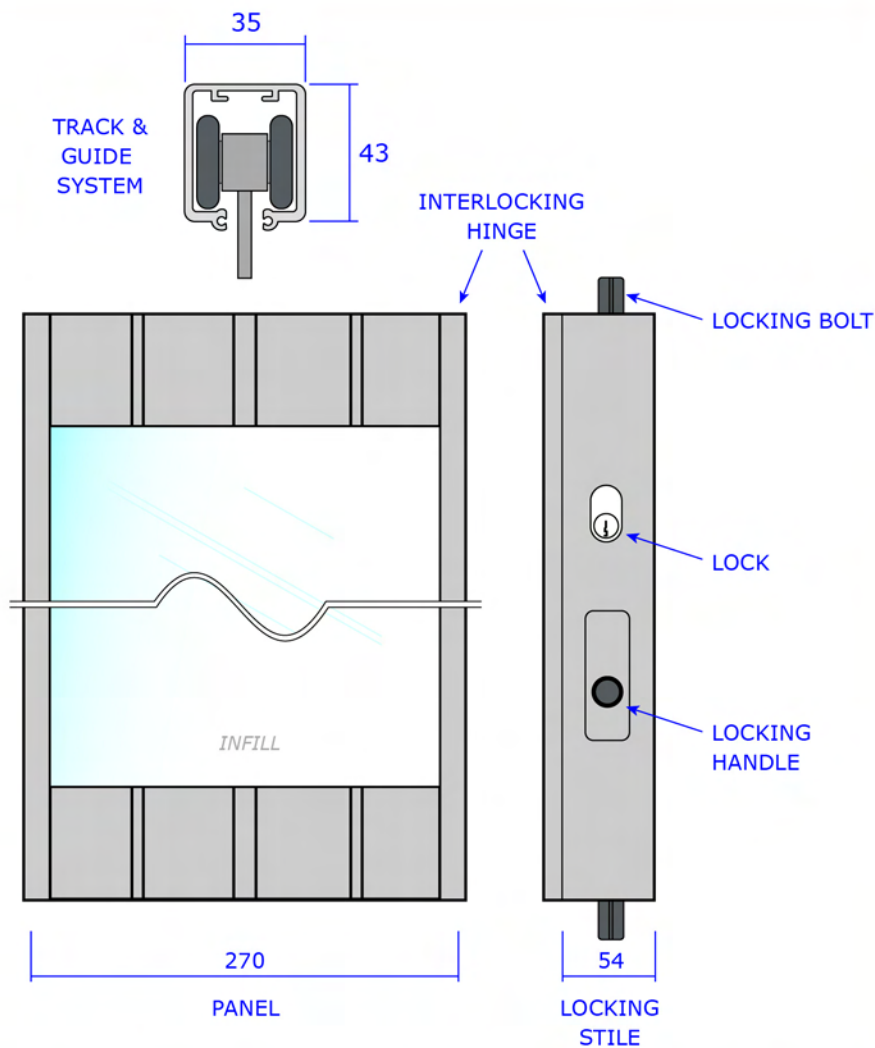
**WEIGHT:** The approximate average door weight is 13kg/m<sup>2</sup> (based on standard polycarbonate infill).

**OPERATION:** The Accordion is manually operated by hand. On ordering the door can be made to stack to one side, or bi-part in the middle.

**TRACK & GUIDE SYSTEM:** The Accordion is supported by a 35mm(w) x 43mm(h) extruded aluminium overhead track. Each alternating panel has a heavy duty bearing guide which provides a smooth and easy operation.

**LOCKING:** The leading frame is constructed by a specially extruded aluminium section 54mm x 32mm, which houses the locking system. The superior lock design allows access from both sides of the door, and has a removable cylinder which can be replaced to suit the clients requirements. The locking system is covered by a custom made facia providing extra safety & security to the lock.

**FINISH:** Panel frame & guides are a natural anodised finish, or can be powder coated as an option. (Price available on request). Polycarbonate infills & slats are of clear transparent finish.



Also available from  
LSSA . . .



LSSA has an ongoing commitment to product quality and reserve the right to change specifications without notice.